

CREATING SMILES FOR LIFE



CREATING SMILES FOR LIFE



**SWIFT GROUP**

Dunswell Road  
Cottingham  
East Yorkshire  
HU16 4JX

Tel: 01482 875740  
Fax: 01482 840082  
Email: [enquiry@swiftgroup.co.uk](mailto:enquiry@swiftgroup.co.uk)

# Swift Group Technical Handbook

Coachbuilt Motorhomes

FIND OUT MORE AT [SWIFTGROUP.CO.UK](http://SWIFTGROUP.CO.UK)



Brochure



Layouts



Dealer



Video



Social

Issued August 2018  
Part No. 1433212



Escape Compact Specifications ..... 2

Escape Specifications ..... 5

Escape Capacities ..... 15

Escape Towing Capabilities ..... 16

Escape Jacking Points ..... 17

Bessacarr Specifications ..... 18

Bessacarr Capacities ..... 30

Bessacarr Towing Capabilities ..... 31

Bessacarr Jacking Points ..... 32

Kon-tiki Specifications ..... 34

Kon-tiki Capacities ..... 43

Kon-tiki Towing Capabilities ..... 44

Kon-tiki Jacking Points ..... 46

Escape, Escape Compact, Bessacarr and Kon-tiki Wiring Diagrams ..... 48

Bulb Replacement ..... 57

Dealer Special Editions based on Escape Compact..... 58

Dealer Special Editions based on Escape..... 62

Dealer Special Editions based on Bessacarr ..... 72

Bed make up directions ..... 84



# Specifications

Model	Escape Compact C404 Standard	Escape Compact C404 Optional
Roof Profile	Low Line	
Engine	130 MJT	130 MJT Auto
Engine Capacity	2.3ltr	2.3ltr
Max Power	96kW @ 3600rpm	96kW @ 3600rpm
Torque	320Nm @ 1800rpm	320Nm @ 1800rpm
Chassis	MLWB Fiat Chassis	
Wheel base	3.80m/12'6"	
Designated Passenger Seats excluding Driver	3	
Berths (sleeping positions)	4	
Overall Length (no ladder)**	5.99m/19'8"	
Overall Width (mirrors folded)	2.26m/7'5"	
Overall Height**	2.78m/9'1"	
Maximum Technical Permissible Laden Mass (A)	3300kg	
Mass in Running Order (B)	2762kg	2779kg
Maximum User Payload (A-B)	538kg	521kg
Unladen Weight	2606kg	2623kg
Essential Habitation Equipment	0kg	
Thermal Insulation Grade	Three	
<b>Bed Sizes</b>		
Rear Double	193cm x 120cm/ 6'4" x 3'11"	
Drop Down Bed	183cm x 118cm/ 6'1" x 3'10"	

**NOTE:** 1. The **Maximum User Payload** includes:

- a) the **conventional load** (this is the allowance for passengers)
- b) **essential habitation equipment** (items and fluids required for safe and proper functioning of habitation equipment)
- c) **optional equipment** (items available from the manufacturer over and above the standard specification)
- d) **personal effects** (those items not covered by the above)

2. The **Mass in Running Order** is the mass of the unladen vehicle including a 75kg allowance for the driver plus engine coolants and 90% of the fuel tank and 1 x 6kg Calor Lite cylinder. The MRO is calculated with the fresh water tank empty. If you travel with water in the fresh water tank then the payload will reduce accordingly.

3. PLEASE TAKE CARE TO ENSURE THAT YOU HAVE ALLOWED FOR THE MASSES OF ALL ITEMS YOU INTEND TO CARRY IN THE MOTOR CARAVAN, e.g. passengers, optional equipment, essential

habitation equipment and personal effects, such as clothing, food, pets, bicycles, sailboards, sports equipment etc.

4. **WARNING** - UNDER NO CIRCUMSTANCES SHOULD THE MAXIMUM TECHNICAL PERMISSIBLE LADEN MASS OF THIS MOTOR CARAVAN BE EXCEEDED.

\* Estimated

\*\* For optional roof ladder add 125mm to length 40mm to height on Low Line

Model	Escape 604 Standard	Escape 604 Optional
Roof Profile	Low Line	
Engine	130 MJT	130 MJT Auto
Engine Capacity	2.3ltr	2.3ltr
Max Power	96kW @ 3600rpm	96kW @ 3600rpm
Torque	320Nm @ 1800rpm	320Nm @ 1800rpm
Chassis	MLWB Fiat Chassis	
Wheel base	3.80m/12'6"	
Designated Passenger Seats excluding Driver	3	
Berths (sleeping positions)	4	
Overall Length (no ladder)**	5.97m/19'7"	
Overall Width (mirrors folded)	2.31m/7'7"	
Overall Height**	2.91m/9'6"	
Maximum Technical Permissible Laden Mass (A)	3500kg	
Mass in Running Order (B)	2854kg	2871kg
Maximum User Payload (A-B)	646kg	629kg
Unladen Weight	2698kg	2715kg
Essential Habitation Equipment	0kg	
Thermal Insulation Grade	Three	
<b>Bed Sizes</b>		
Front Double	209cm x 139cm/103cm / 6'10" x 4'7"/3'5"	
Front Nearside Single		
Front Offside Single		
Rear Double		
Rear Nearside Single		
Rear Offside Single		
Rear Bunk (Upper)		
Rear Bunk (Lower)		
Front Drop Down Bed	193cm x 127cm / 6'4" x 4'2"	



# Specifications

Model	Escape 622 Standard	Escape 622 Optional
Roof Profile	Low Line	
Engine	130 MJT	130 MJT Auto
Engine Capacity	2.3ltr	2.3ltr
Max Power	96kW @ 3600rpm	96kW @ 3600rpm
Torque	320Nm @ 1800rpm	320Nm @ 1800rpm
Chassis	MWB Fiat Chassis	
Wheel base	3.45m/11'4"	
Designated Passenger Seats excluding Driver	1	
Berths (sleeping positions)	2	
Overall Length (no ladder)**	6.29m/20'8"	
Overall Width (mirrors folded)	2.31m/7'7"	
Overall Height**	2.91m/9'6"	
Maximum Technical Permissible Laden Mass (A)	3500kg	
Mass in Running Order (B)	2760kg	2777kg
Maximum User Payload (A-B)	740kg	723kg
Unladen Weight	2604kg	2621kg
Essential Habitation Equipment	0kg	
Thermal Insulation Grade	Three	
<b>Bed Sizes</b>		
Front Double		
Front Nearside Single		
Front Offside Single		
Rear Double	208cm x 169cm / 6'10" x 5'7"	
Rear Nearside Single	175cm x 68cm / 5'9" x 2'3"	
Rear Offside Single	186m x 68cm / 6'1" x 2'3"	
Rear Bunk (Upper)		
Rear Bunk (Lower)		
Front Drop Down Bed		

Escape 664 Standard	Escape 664 Optional
Low Line	
130 MJT	130 MJT Auto
2.3ltr	2.3ltr
96kW @ 3600rpm	96kW @ 3600rpm
320Nm @ 1800rpm	320Nm @ 1800rpm
MLWB Fiat Chassis	
3.80m/12'6"	
3	
4	
6.72m/22'1"	
2.31m/7'7"	
2.91m/9'6"	
3500kg	
2845kg	2862kg
655kg	638kg
2689kg	2706kg
0kg	
Three	
209cm x 123cm/92cm / 6'9" x 4'0"/3'0"	
187cm x 126cm / 6'2" x 4'2"	

**NOTE:** 1. **The Maximum User Payload** includes:

- a) the **conventional load** (this is the allowance for passengers)
- b) **essential habitation equipment** (items and fluids required for safe and proper functioning of habitation equipment)
- c) **optional equipment** (items available from the manufacturer over and above the standard specification)
- d) **personal effects** (those items not covered by the above)

2. The **Mass in Running Order** is the mass of the unladen vehicle including a 75kg allowance for the driver plus engine coolants and 90% of the fuel tank and 1 x 6kg Calor Lite cylinder. The MRO is calculated with the fresh water tank empty. If you travel with water in the fresh water tank then the payload will reduce accordingly.

3. PLEASE TAKE CARE TO ENSURE THAT YOU HAVE ALLOWED FOR THE MASSES OF ALL ITEMS YOU INTEND TO CARRY IN THE MOTOR CARAVAN, e.g. passengers, optional equipment, essential

habitation equipment and personal effects, such as clothing, food, pets, bicycles, sailboards, sports equipment etc.

4. **WARNING** - UNDER NO CIRCUMSTANCES SHOULD THE MAXIMUM TECHNICAL PERMISSIBLE LADEN MASS OF THIS MOTOR CARAVAN BE EXCEEDED.

\* Estimated

\*\* For optional roof ladder add 125mm to length 40mm to height on Low Line

# Specifications

Model	Escape 674 Standard	Escape 674 Drop Down Bed & Travelling Seat	Escape 674 Optional	Escape 674 Drop Down Bed & Travelling Seat Optional
Roof Profile	Low Line			
Engine	130 MJT		130 MJT Auto	
Engine Capacity	2.3ltr		2.3ltr	
Max Power	96kW @ 3600rpm		96kW @ 3600rpm	
Torque	320Nm @ 1800rpm		320Nm @ 1800rpm	
Chassis	Fiat / Al-Ko Chassis			
Wheel base	4.65m/15'3"			
Designated Passenger Seats excluding Driver	3	4	3	4
Berths (sleeping positions)	4	6	4	6
Overall Length (no ladder)**	7.41m/24'4"			
Overall Width (mirrors folded)	2.31m/7'7"			
Overall Height**	2.88m/9'5"			
Maximum Technical Permissible Laden Mass (A)	3500kg			
Mass in Running Order (B)	2900kg	3000kg	2917kg	3017kg
Maximum User Payload (A-B)	600kg	500kg	583kg	483kg
Unladen Weight	2767kg	2867kg	2784kg	2884kg
Essential Habitation Equipment	0kg			
Thermal Insulation Grade	Three			
<b>Bed Sizes</b>				
Front Double	209cm x 139cm/103cm / 6'10" x 4'7"/3'5"			
Front Nearside Single				
Front Offside Single				
Rear Double	206cm x 183cm / 6'9" x 6'0"			
Rear Nearside Single	183cm x 68cm / 6'0" x 2'3"			
Rear Offside Single	191cm x 68cm / 6'3" x 2'3"			
Rear Bunk (Upper)				
Rear Bunk (Lower)				
Front Drop Down Bed (option)	193cm x 127cm / 6'4" x 4'2" (opt)			

**NOTE:** 1. The **Maximum User Payload** includes:

- a) the **conventional load** (this is the allowance for passengers)
- b) **essential habitation equipment** (items and fluids required for safe and proper functioning of habitation equipment)
- c) **optional equipment** (items available from the manufacturer over and above the standard specification)
- d) **personal effects** (those items not covered by the above)

2. The **Mass in Running Order** is the mass of the unladen vehicle including a 75kg allowance for the driver plus engine coolants and 90% of the fuel tank and 1 x 6kg Calor Lite cylinder. The MRO is calculated with the fresh water tank empty. If you travel with water in the fresh water tank then the payload will reduce accordingly.

3. PLEASE TAKE CARE TO ENSURE THAT YOU HAVE ALLOWED FOR THE MASSES OF ALL ITEMS YOU INTEND TO CARRY IN THE MOTOR CARAVAN, e.g. passengers, optional equipment, essential

habitation equipment and personal effects, such as clothing, food, pets, bicycles, sailboards, sports equipment etc.

4. **WARNING** - UNDER NO CIRCUMSTANCES SHOULD THE MAXIMUM TECHNICAL PERMISSIBLE LADEN MASS OF THIS MOTOR CARAVAN BE EXCEEDED.

\* Estimated

\*\* For optional roof ladder add 125mm to length 40mm to height on Low Line

Escape 684 Standard	Escape 684 Drop Down Bed & Travelling Seat	Escape 684 Optional	Escape 684 Drop Down Bed & Travelling Seat Optional
Low Line			
130 MJT		130 MJT Auto	
2.3ltr		2.3ltr	
96kW @ 3600rpm		96kW @ 3600rpm	
320Nm @ 1800rpm		320Nm @ 1800rpm	
Fiat / Al-Ko Chassis			
4.30m/14'1"			
3	4	3	4
4	6	4	6
7.41m/24'4"			
2.31m/7'7"			
2.88m/9'5"			
3500kg			
2915kg	3015kg	2932kg	3032kg
585kg	485kg	568kg	468kg
2782kg	2882kg	2799kg	2899kg
0kg			
Three			
209cm x 139cm/103cm / 6'10" x 4'7"/3'5"			
208cm x 145cm / 6'10" x 4'9"			
192cm x 80cm / 6'4" x 2'7"			
192cm x 80cm / 6'4" x 2'7"			
193cm x 127cm / 6'4" x 4'2" (opt)			

# Specifications

Model	Escape 685 Standard	Escape 685 Optional
Roof Profile	Low Line	
Engine	130 MJT	130 MJT Auto
Engine Capacity	2.3ltr	2.3ltr
Max Power	96kW @ 3600rpm	96kW @ 3600rpm
Torque	320Nm @ 1800rpm	320Nm @ 1800rpm
Chassis	Fiat / Al-Ko Chassis	
Wheel base	4.65m/15'3"	
Designated Passenger Seats excluding Driver	4	
Berths (sleeping positions)	6	
Overall Length (no ladder)**	6.92m/22'8"	
Overall Width (mirrors folded)	2.31m/7'7"	
Overall Height**	2.88m/9'5"	
Maximum Technical Permissible Laden Mass (A)	3500kg	
Mass in Running Order (B)	2915kg	2932kg
Maximum User Payload (A-B)	585kg	568kg
Unladen Weight	2782kg	2799kg
Essential Habitation Equipment	0kg	
Thermal Insulation Grade	Three	
<b>Bed Sizes</b>		
Front Double	211cm x 139/106cm / 6'11" x 4'7"/3'5"	
Front Nearside Single		
Front Offside Single		
Rear Double	206cm x 137cm / 6'9" x 4'6"	
Rear Nearside Single		
Rear Offside Single		
Rear Bunk (Upper)		
Rear Bunk (Lower)		
Front Drop Down Bed	193cm x 127cm / 6'3" x 4'2"	

**NOTE:** 1. **The Maximum User Payload** includes:

- a) the **conventional load** (this is the allowance for passengers)
- b) **essential habitation equipment** (items and fluids required for safe and proper functioning of habitation equipment)
- c) **optional equipment** (items available from the manufacturer over and above the standard specification)
- d) **personal effects** (those items not covered by the above)

2. The **Mass in Running Order** is the mass of the unladen vehicle including a 75kg allowance for the driver plus engine coolants and 90% of the fuel tank and 1 x 6kg Calor Lite cylinder. The MRO is calculated with the fresh water tank empty. If you travel with water in the fresh water tank then the payload will reduce accordingly.

3. PLEASE TAKE CARE TO ENSURE THAT YOU HAVE ALLOWED FOR THE MASSES OF ALL ITEMS YOU INTEND TO CARRY IN THE MOTOR CARAVAN, e.g. passengers, optional equipment, essential

habitation equipment and personal effects, such as clothing, food, pets, bicycles, sailboards, sports equipment etc.

4. **WARNING** - UNDER NO CIRCUMSTANCES SHOULD THE MAXIMUM TECHNICAL PERMISSIBLE LADEN MASS OF THIS MOTOR CARAVAN BE EXCEEDED.

\* Estimated

\*\* For optional roof ladder add 125mm to length 40mm to height on Low Line

Escape 694 Standard	Escape 694 Drop Down Bed & Travelling Seat	Escape 694 Optional	Escape 694 Drop Down Bed & Travelling Seat Optional
Low Line			
130 MJT		130 MJT Auto	
2.3ltr		2.3ltr	
96kW @ 3600rpm		96kW @ 3600rpm	
320Nm @ 1800rpm		320Nm @ 1800rpm	
Fiat / Al-Ko Chassis			
4.30m/14'1"			
3	4	3	4
4	6	4	6
7.41m/24'4"			
2.31m/7'7"			
2.88m/9'5"			
3500kg			
2898kg	2998kg	2915kg	3015kg
602kg	502kg	585kg	485kg
2765kg	2865kg	2782g	2882kg
0kg			
Three			
209cm x 139/103cm / 6'10" x 4'7"/3'5"			
183cm x 133cm / 6'0" x 4'4"			
193cm x 127cm / 6'4" x 4'2" (opt)			



## Specifications

Model	Escape 695 Standard	Escape 695 Optional
Roof Profile	Low Line	
Engine	130 MJT	130 MJT Auto
Engine Capacity	2.3ltr	2.3ltr
Max Power	96kW @ 3600rpm	96kW @ 3600rpm
Torque	320Nm @ 1800rpm	320Nm @ 1800rpm
Chassis	Fiat / Al-Ko Chassis	
Wheel base	4.65m/15'3"	
Designated Passenger Seats excluding Driver	4	
Berths (sleeping positions)	6	
Overall Length (no ladder)**	6.92m/22'8"	
Overall Width (mirrors folded)	2.31m/7'7"	
Overall Height**	2.88m/9'5"	
Maximum Technical Permissible Laden Mass (A)	3500kg	
Mass in Running Order (B)	2925kg	2942kg
Maximum User Payload (A-B)	575kg	558kg
Unladen Weight	2792kg	2809kg
Essential Habitation Equipment	0kg	
Thermal Insulation Grade	Three	
<b>Bed Sizes</b>		
Front Double	211cm x 139cm/106cm / 6'11" x 4'7"/3'5"	
Front Nearside Single		
Front Offside Single		
Rear Double		
Rear Nearside Single		
Rear Offside Single		
Rear Bunk (Upper)	195cm x 76cm / 6'5" x 2'6"	
Rear Bunk (Lower)	189cm x 73cm / 6'2" x 2'5"	
Front Drop Down Bed	193cm x 127cm / 6'4" x 4'2"	

**NOTE:** 1. The **Maximum User Payload** includes:

- a) the **conventional load** (this is the allowance for passengers)
- b) **essential habitation equipment** (items and fluids required for safe and proper functioning of habitation equipment)
- c) **optional equipment** (items available from the manufacturer over and above the standard specification)
- d) **personal effects** (those items not covered by the above)

2. The **Mass in Running Order** is the mass of the unladen vehicle including a 75kg allowance for the driver plus engine coolants and 90% of the fuel tank and 1 x 6kg Calor Lite cylinder. The MRO is calculated with the fresh water tank empty. If you travel with water in the fresh water tank then the payload will reduce accordingly.

3. PLEASE TAKE CARE TO ENSURE THAT YOU HAVE ALLOWED FOR THE MASSES OF ALL ITEMS YOU INTEND TO CARRY IN THE MOTOR CARAVAN, e.g. passengers, optional equipment, essential

habitation equipment and personal effects, such as clothing, food, pets, bicycles, sailboards, sports equipment etc.

4. **WARNING** - UNDER NO CIRCUMSTANCES SHOULD THE MAXIMUM TECHNICAL PERMISSIBLE LADEN MASS OF THIS MOTOR CARAVAN BE EXCEEDED.

\* Estimated

\*\* For optional roof ladder add 125mm to length 40mm to height on Low Line

## Capacities

### Water Tank Capacities

	Fresh Water Tank	Waste Water Tank	Water Heater
Escape Compact	100 litre	60 litre	10 litre
Escape	100 litre	68 litre	10 litre
Escape 604	100 litre	60 litre	10 litre

### LPG Locker Capacity

	Capacity
Escape Compact	2 x 6kg
Escape 604	2 x 6kg
Escape (all models except 604)	1 x 6kg + 1 x 13kg

**NOTICE : For technical data on the base vehicle please refer to the manufacturer's handbook**

# Towing Capabilities

## Escape Towing Capabilities

Model	MTPLM	Permissible Front Axle Load	Permissible Rear Axle Load	Recommended Maximum Trailer Weight	Gross Train Weight
Escape Compact C205	3300kg	1750kg	1900kg	2000kg	5300kg
Escape Compact C402	3300kg	1750kg	1900kg	2000kg	5300kg
Escape Compact C404	3300kg	1750kg	1900kg	2000kg	5300kg
Escape 604	3500kg	1850kg	2000kg	2000kg	5500kg
Escape 604	3650kg	1850kg	2000kg	2000kg	5650kg
Escape 612	3500kg	1850kg	2000kg	* 1600kg	5100kg
Escape 612	3650kg	1850kg	2000kg	* 1600kg	5250kg
Escape 614	3500kg	1850kg	2000kg	1600kg	5100kg
Escape 614	3650kg	1850kg	2000kg	1600kg	5250kg
Escape 622	3500kg	1850kg	2000kg	1600kg	5100kg
Escape 622	3650kg	1850kg	2000kg	1600kg	5250kg
Escape 664	3500kg	1850kg	2000kg	1600kg	5100kg
Escape 664	3650kg	1850kg	2000kg	1600kg	5250kg
Escape 674	3500kg	1850kg	2000kg	2000kg	5500kg
Escape 674	3700kg	1850kg	2000kg	2000kg	# 5500kg
Escape 684	3500kg	1850kg	2000kg	2000kg	5500kg
Escape 684	3700kg	1850kg	2000kg	2000kg	# 5500kg
Escape 685	3500kg	1850kg	2000kg	2000kg	5500kg
Escape 685	3700kg	1850kg	2000kg	2000kg	# 5500kg
Escape 694	3500kg	1850kg	2000kg	2000kg	5500kg
Escape 694	3700kg	1850kg	2000kg	2000kg	# 5500kg
Escape 695	3500kg	1850kg	2000kg	2000kg	5500kg
Escape 695	3700kg	1850kg	2000kg	2000kg	# 5500kg

Please note that the additional weight of the tow bar and trailer nose weight increases the rear axle loading of the motor home so care should be taken that the rear axle load is not exceeded when towing.

To ensure adequate road holding, the load on the front axle, under all conditions, must not be less than 40% or more than 70% of the total weight.

Care must be taken when distributing loads. The loadings and weights above are maximums and must not be exceeded under any circumstances.

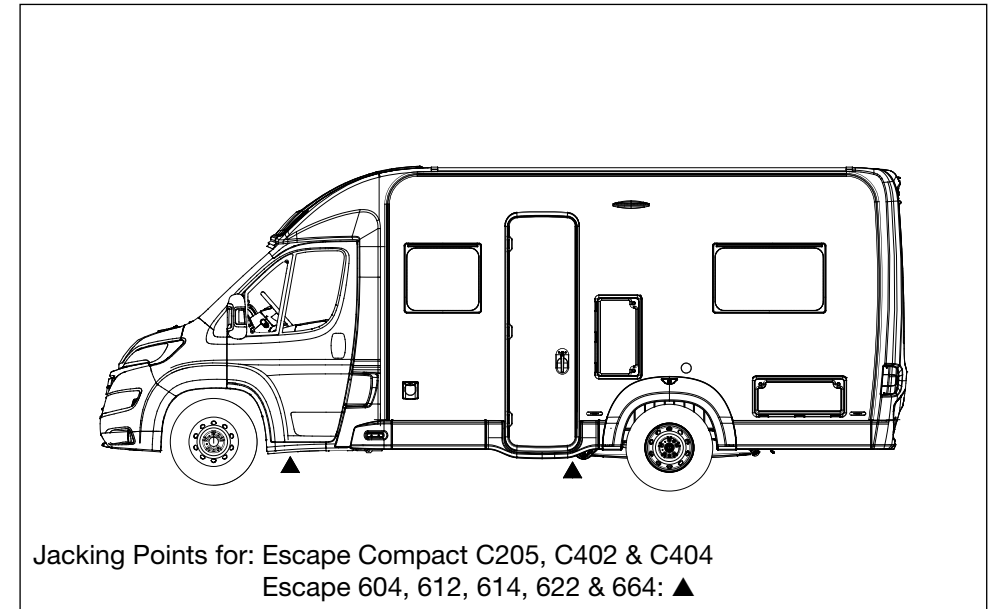
\* With this vehicle configuration it will be necessary to reduce the payload carried inside the van when towing to ensure that the MTPLM and Maximum Axle Loads are not exceeded.

# The Maximum Trailer Weight is limited by the Gross Train Weight which must not be exceeded. For example if the vehicle is at its maximum MTPLM of 3700kg, then the Maximum Trailer Weight possible is 1800kg. Reducing the weight of the vehicle by removing payload, will allow you to increase the trailer weight up to a maximum of 2000kg.

**CAUTION:** When fitting a towbar, it must meet certain minimum requirements as specified by Type Approval Regulations. The bar will have marked on it the approval standard (94/20/EC or 55R ECE) and the maximum download, or nose weight, that it can accept. It must fit the manufacturer's approved mounting points and must not obscure the towing vehicle's number plate.

# Jacking

## SWIFT ESCAPE



# Bessacarr Specifications

Model	Bessacarr 524 Standard	Bessacarr 524 Optional
Roof Profile	High Line	
Engine	130 MJT	130 MJT AUTO
Engine Capacity	2.3Ltr	
Max Power	96kW @ 3600rpm	
Torque	320Nm @ 1800rpm	
Chassis	MLWB Fiat Low Line Chassis	
Wheel base	3.80m/12'6"	
Designated Passenger Seats excluding Driver	3	
Berths (sleeping positions)	4	
Overall Length (no ladder)**	5.99m / 19'8"	
Overall Width (mirrors folded)	2.38m/7'10"	
Overall Height**	2.82m/9'3"	
Maximum Technical Permissible Laden Mass (A)	3500kg	
Mass in Running Order (B)	3012kg	3029kg
Maximum User Payload (A-B)	488kg	471kg
Unladen Weight	2856kg	2873kg
Essential Habitation Equipment	0kg	
Thermal Insulation Grade	THREE	
<b>Bed Sizes</b>		
Front Double	209cm x 150cm/103cm / 6'10" x 4'11"/3'5"	
Front Nearside Single		
Front Offside Single		
Rear Double		
Rear Nearside Single		
Rear Offside Single		
Over Cab Bed	190cm x 127cm / 6'3" x 4'2"	

**NOTE:** 1. The **Maximum User Payload** includes:  
a) the **conventional load** (this is the allowance for passengers)  
b) **essential habitation equipment** (items and fluids required for safe and proper functioning of habitation equipment)  
c) **optional equipment** (items available from the manufacturer over and above the standard specification)  
d) **personal effects** (those items not covered by the above)  
2. The **Mass in Running Order** is the mass of the unladen vehicle including a 75kg allowance for the

driver plus engine coolants and 90% of the fuel tank and 1 x 6kg Calor Lite LPG cylinder.  
3. The Mass in running order is calculated with the fresh water tank and water heater empty. If you travel with water in the fresh water tank or water heater then the payload will reduce accordingly.  
4. PLEASE TAKE CARE TO ENSURE THAT YOU HAVE ALLOWED FOR THE MASSES OF ALL ITEMS YOU INTEND TO CARRY IN THE MOTOR CARAVAN, e.g. passengers, optional equipment, essential habitation equipment and personal effects, such as clothing, food, pets, bicycles, sailboards, sports equipment etc.

5. **WARNING** - UNDER NO CIRCUMSTANCES SHOULD THE MAXIMUM TECHNICAL PERMISSIBLE LADEN MASS OF THIS MOTOR CARAVAN BE EXCEEDED.  
\* Estimated  
\*\* For Optional Roof Ladder (Add 125mm length and 40mm height)

Bessacarr 560 Standard	Bessacarr 560 Optional Engine	Bessacarr 560 Lounge Standard	Bessacarr 560 Lounge Optional Engine
Low Line			
130 MJT	130 MJT AUTO	130 MJT	130 MJT AUTO
2.3Ltr			
96kW @ 3600rpm			
320Nm @ 1800 rpm			
LWB Fiat Low Line Chassis			
4.04m/13'3"			
3		1	
4			
7.09m/23'3"			
2.38m/7'10"			
2.82m/9'3"			
3500kg			
3112kg	3129kg	3072kg	3089kg
388kg	371kg	428kg	411kg
2956kg	2973kg	2916kg	2933kg
0kg			
THREE			
209cm x 123cm/103cm / 6'10" x 4'0"/3'5"		201cm x 120cm/103cm / 6'7" x 3'11"/3'5"	
190cm x 126cm / 6'3" x 4'2"			













## Capacities

### Water Tank Capacities

	Fresh Water Tank	Waste Water Tank	Water Heater
Bessacarr	90 litre	68 litre	10 litre
Bessacarr 524	90 litre	60 litre	10 litre
Bessacarr 562	94 litre	60 litre	10 litre

### LPG Locker Capacity

	Capacity
Bessacarr	2 x 13kg
Bessacarr 524	2 x 6kg

**Note:** For technical data on the base vehicle please refer to the manufacturer's handbook

## Bessacarr Towing Capabilities

### Bessacarr Towing Capabilities

Model	MTPLM	Permissible Front Axle Load	Permissible Rear Axle Load	Recommended Maximum Trailer Weight	Gross Train Weight
Bessacarr 524**	3500kg	1850kg	2000kg	2000kg	5500kg
Bessacarr 560	3500kg	1850kg	2000kg	1600kg	5100kg
Bessacarr 560 Lounge	3500kg	1850kg	2000kg	1600kg	5100kg
Bessacarr 562**	3500kg	1850kg	2000kg	1600kg	5100kg
Bessacarr 574	3850kg	1850kg	2000kg	2000kg	# 5500kg
Bessacarr 574 Lounge	3500kg	1850kg	2000kg	2000kg	5500kg
Bessacarr 584	3850kg	1850kg	2000kg	2000kg	# 5500kg
Bessacarr 584 Lounge	3500kg	1850kg	2000kg	2000kg	5500kg
Bessacarr 596	4250kg	2100kg	2500kg	2000kg	# 6000kg
Bessacarr 597	3850kg	1850kg	2000kg	2000kg	# 5500kg
Bessacarr 597 lounge	3500kg	1850kg	2000kg	2000kg	5500kg
Bessacarr 599	3850kg	1850kg	2000kg	2000kg	# 5500kg
Bessacarr 599 lounge	3500kg	1850kg	2000kg	2000kg	5500kg

**⚠ CAUTION:** When fitting a towbar, it must meet certain minimum requirements as specified by Type Approval Regulations. The bar will have marked on it the approval standard (94/20/EC or 55R ECE) and the maximum download, or noseweight, that it can accept. It must fit the manufacturer's approved mounting points and must not obscure the towing vehicle's number plate.

Please note that the additional weight of the tow bar and trailer nose weight increases the rear axle loading of the motor home so care should be taken that the rear axle load is not exceeded when towing.

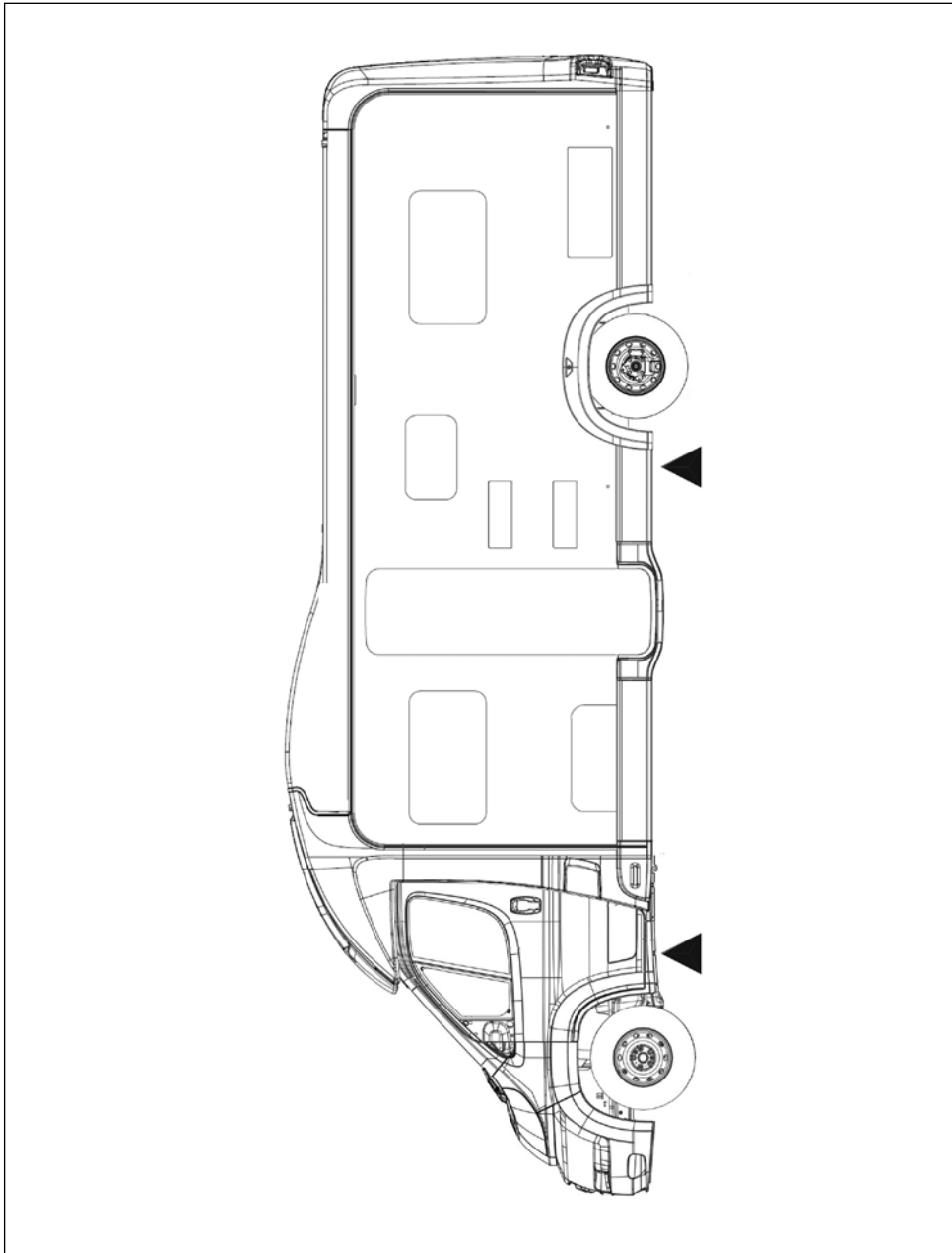
\*\* With this vehicle configuration it will be necessary to reduce the payload carried inside the van when towing to ensure that the MTPLM and maximum axle loads are not exceeded.

# The maximum trailer weight is limited by the gross train weight which must not be exceeded. For example if the vehicle is at the maximum MTPLM of 3700kg, then the maximum trailer weight possible is 1800kg. Reducing the weight of the vehicle by removing payload, will allow you to increase the trailer weight up to a maximum of 2000kg.

To ensure adequate road holding, the load on the front axle, under all conditions, must not be less than 40% or more than 70% of the total weight.

Care must be taken when distributing loads. The loadings and weights above are maximums and must not be exceeded under any circumstances.

## Bessacarr Jacking Points



# Kon-tiki Specifications

Model	Kon-Tiki 625			
Roof Profile	Low Line			
Engine	150 MJT	150 MJT Auto (Option)	180 MJT (Option)	180 MJT Auto (Option)
Engine Capacity	2.3Ltr	2.3Ltr	2.3Ltr	2.3Ltr
Max Power	110kW @ 3600rpm	110kW @ 3600rpm	131kW @ 3500rpm	131kW @ 3500rpm
Torque	380Nm @ 1500rpm	380Nm @ 1500rpm	400Nm @ 1500rpm	400Nm @ 1500rpm
Chassis	Fiat AL-KO low line			
Wheel base	4.60m /15' 1"			
Designated Passenger Seats	3			
Berths (sleeping positions)	4			
Overall Length**	8.19m/ 26' 10"			
Overall Width (mirrors folded)	2.35m/ 7' 9"			
Overall Height***	3.02m/ 9' 11"			
Maximum Technical Permissible Laden Mass (A)	4250kg			
Mass in Running Order (B)	3697kg *	3714kg *	3697kg *	3714kg *
Maximum User Payload (A-B)	553kg *	536kg *	553kg *	536kg *
Unladen Weight	3541kg *	3558kg *	3541kg *	3558kg *
Essential Habitation Equipment	0kg			
Thermal Insulation Grade	THREE			
<b>Bed Sizes</b>				
Front Double	209cm x 112cm/ 6'10" x 3'8"			
Front Offside Single				
Rear Double	192cm x 143cm/ 6'4" x 4'8"			
Rear Offside Single				
Rear Nearside Single				
Overcab Bed				

**NOTE:** 1. The **Maximum User Payload** includes:

- a) the **conventional load** (this is the allowance for passengers)
- b) **essential habitation equipment** (items and fluids required for safe and proper functioning of habitation equipment)
- c) **optional equipment** (items available from the manufacturer over and above the standard specification)
- d) **personal effects** (those items not covered by the above)

- 2. The **Mass in Running Order** is the mass of the unladen vehicle including a 75kg allowance for the driver plus engine coolants and 90% of the fuel tank and 1 x 6kg Calor Lite LPG cylinder.
- 3. The MRO is calculated with the fresh water tank and water heater empty. If you travel with water in the fresh water tank or water heater then the payload will reduce accordingly.
- 4. PLEASE TAKE CARE TO ENSURE THAT YOU HAVE ALLOWED FOR THE MASSES OF ALL ITEMS YOU INTEND TO CARRY IN THE MOTOR CARAVAN, e.g. passengers, optional equipment, essential habitation equipment and personal effects, such as clothing, food, pets, bicycles, sailboards, sports equipment etc.

- 5. **WARNING** - UNDER NO CIRCUMSTANCES SHOULD THE MAXIMUM TECHNICAL PERMISSIBLE LADEN MASS OF THIS MOTOR CARAVAN BE EXCEEDED.

- \* Estimated
- \*\* Add 120mm to length if ladder option fitted.
- \*\*\* Add 100mm to height on low line if ladder option fitted.

Model	Kon-Tiki 625			
Roof Profile	High Line			
Engine	150 MJT	150 MJT Auto (Option)	180 MJT (Option)	180 MJT Auto (Option)
Engine Capacity	2.3Ltr	2.3Ltr	2.3Ltr	2.3Ltr
Max Power	110kW @ 3600rpm	110kW @ 3600rpm	131kW @ 3500rpm	131kW @ 3500rpm
Torque	380Nm @ 1500rpm	380Nm @ 1500rpm	400Nm @ 1500rpm	400Nm @ 1500rpm
Chassis	Fiat AL-KO low line			
Wheel base	4.60m /15' 1"			
Designated Passenger Seats	3			
Berths (sleeping positions)	6			
Overall Length**	8.19m/ 26' 10"			
Overall Width (mirrors folded)	2.35m/ 7' 9"			
Overall Height***	3.13m/ 10' 3"			
Maximum Technical Permissible Laden Mass (A)	4250kg			
Mass in Running Order (B)	3757kg *	3774kg *	3757kg *	3774kg *
Maximum User Payload (A-B)	493kg *	476kg *	493kg *	476kg *
Unladen Weight	3601kg *	3618kg *	3601kg *	3618kg *
Essential Habitation Equipment	0kg			
Thermal Insulation Grade	THREE			
<b>Bed Sizes</b>				
Front Double	209cm x 112cm/ 6'10" x 3'8"			
Front Offside Single				
Rear Double	192cm x 143cm/ 6'4" x 4'8"			
Rear Offside Single				
Rear Nearside Single				
Overcab Bed	190cm x 134cm/ 6'3" x 4'5"			

# Kon-tiki Specifications

Model	Kon-Tiki 635			
Roof Profile	Low Line			
Engine	150 MJT	150 MJT Auto (Option)	180 MJT (Option)	180 MJT Auto (Option)
Engine Capacity	2.3Ltr	2.3Ltr	2.3Ltr	2.3Ltr
Max Power	110kW @ 3600rpm	110kW @ 3600rpm	131kW @ 3500rpm	131kW @ 3500rpm
Torque	380Nm @ 1500rpm	380Nm @ 1500rpm	400Nm @ 1500rpm	400Nm @ 1500rpm
Chassis	Fiat AL-KO low line			
Wheel base	4.60m /15' 1"			
Designated Passenger Seats	3			
Berths (sleeping positions)	4			
Overall Length**	8.19m/ 26' 10"			
Overall Width (mirrors folded)	2.35m/ 7' 9"			
Overall Height***	3.02m/ 9' 11"			
Maximum Technical Permissible Laden Mass (A)	4250kg			
Mass in Running Order (B)	3687kg *	3704kg *	3687kg *	3704kg *
Maximum User Payload (A-B)	563kg *	546kg *	563kg *	546kg *
Unladen Weight	3531kg *	3548kg *	3531kg *	3548kg *
Essential Habitation Equipment	0kg			
Thermal Insulation Grade	THREE			
<b>Bed Sizes</b>				
Front Double	204cm x 94cm/ 6'8" x 3'1"			
Front Offside Single				
Rear Double	203cm x 138cm/ 6'8" x 4'6"			
Rear Offside Single	193cm x 81cm/ 6'4" x 2'8"			
Rear Nearside Single	193cm x 81cm/ 6'4" x 2'8"			
Overcab Bed				

**NOTE:** 1. **The Maximum User Payload** includes:

- a) the **conventional load** (this is the allowance for passengers)
- b) **essential habitation equipment** (items and fluids required for safe and proper functioning of habitation equipment)
- c) **optional equipment** (items available from the manufacturer over and above the standard specification)
- d) **personal effects** (those items not covered by the above)

- 2. The **Mass in Running Order** is the mass of the unladen vehicle including a 75kg allowance for the driver plus engine coolants and 90% of the fuel tank and 1 x 6kg Calor Lite LPG cylinder.
- 3. The MRO is calculated with the fresh water tank and water heater empty. If you travel with water in the fresh water tank or water heater then the payload will reduce accordingly.
- 4. PLEASE TAKE CARE TO ENSURE THAT YOU HAVE ALLOWED FOR THE MASSES OF ALL ITEMS YOU INTEND TO CARRY IN THE MOTOR CARAVAN, e.g. passengers, optional equipment, essential habitation equipment and personal effects, such as clothing, food, pets, bicycles, sailboards, sports equipment etc.

5. **WARNING** - UNDER NO CIRCUMSTANCES SHOULD THE MAXIMUM TECHNICAL PERMISSIBLE LADEN MASS OF THIS MOTOR CARAVAN BE EXCEEDED.

- \* Estimated
- \*\* Add 120mm to length if ladder option fitted.
- \*\*\* Add 100mm to height on low line if ladder option fitted.

Model	Kon-Tiki 635			
Roof Profile	High Line			
Engine	150 MJT	150 MJT Auto (Option)	180 MJT (Option)	180 MJT Auto (Option)
Engine Capacity	2.3Ltr	2.3Ltr	2.3Ltr	2.3Ltr
Max Power	110kW @ 3600rpm	110kW @ 3600rpm	131kW @ 3500rpm	131kW @ 3500rpm
Torque	380Nm @ 1500rpm	380Nm @ 1500rpm	400Nm @ 1500rpm	400Nm @ 1500rpm
Chassis	Fiat AL-KO low line			
Wheel base	4.60m /15' 1"			
Designated Passenger Seats	3			
Berths (sleeping positions)	6			
Overall Length**	8.19m/ 26' 10"			
Overall Width (mirrors folded)	2.35m/ 7' 9"			
Overall Height***	3.13m/ 10' 3"			
Maximum Technical Permissible Laden Mass (A)	4250kg			
Mass in Running Order (B)	3747kg *	3764kg *	3747kg *	3764kg *
Maximum User Payload (A-B)	503kg *	486kg *	503kg *	486kg *
Unladen Weight	3591kg *	3608kg *	3591kg *	3608kg *
Essential Habitation Equipment	0kg			
Thermal Insulation Grade	THREE			
<b>Bed Sizes</b>				
Front Double	204cm x 94cm/ 6'8" x 3'1"			
Front Offside Single				
Rear Double	203cm x 138cm/ 6'8" x 4'6"			
Rear Offside Single	193cm x 81cm/ 6'4" x 2'8"			
Rear Nearside Single	193cm x 81cm/ 6'4" x 2'8"			
Overcab Bed	190cm x 134cm/ 6'3" x 4'5"			

# Kon-tiki Specifications

Model	Kon-Tiki 649			
Roof Profile	High Line			
Engine	150 MJT	150 MJT Auto (Option)	180 MJT (Option)	180 MJT Auto (Option)
Engine Capacity	2.3Ltr	2.3Ltr	2.3Ltr	2.3Ltr
Max Power	110kW @ 3600rpm	110kW @ 3600rpm	131kW @ 3500rpm	131kW @ 3500rpm
Torque	380Nm @ 1500rpm	380Nm @ 1500rpm	400Nm @ 1500rpm	400Nm @ 1500rpm
Chassis	Fiat AL-KO low line			
Wheel base	4.60m /15' 1"- 0.80m/2' 7"			
Designated Passenger Seats	5			
Berths (sleeping positions)	6			
Overall Length**	9.01m/ 29' 7"			
Overall Width (mirrors folded)	2.35m/ 7' 9"			
Overall Height***	3.13m/ 10' 3"			
Maximum Technical Permissible Laden Mass (A)	5000kg			
Mass in Running Order (B)	4150kg	4167kg	4150kg	4167kg
Maximum User Payload (A-B)	850kg	833kg	850kg	833kg
Unladen Weight	3994kg	4011kg	3994kg	4011kg
Essential Habitation Equipment	0kg			
Thermal Insulation Grade	THREE			
Bed Sizes				
Front Double	204cm x 135cm/ 6'8" x 4'5"			
Front Offside Single				
Rear Double	201cm x 193cm/ 6'7" x 6'4"			
Rear Offside Single	193cm x 69cm/ 6'4" x 2'3"			
Rear Nearside Single	193cm x 69cm/ 6'4" x 2'3"			
Overcab Bed	190cm x 134cm/ 6'3" x 4'5"			

**NOTE:** 1. **The Maximum User Payload** includes:

- a) the **conventional load** (this is the allowance for passengers)
- b) **essential habitation equipment** (items and fluids required for safe and proper functioning of habitation equipment)
- c) **optional equipment** (items available from the manufacturer over and above the standard specification)
- d) **personal effects** (those items not covered by the above)

- 2. The **Mass in Running Order** is the mass of the unladen vehicle including a 75kg allowance for the driver plus engine coolants and 90% of the fuel tank and 1 x 6kg Calor Lite LPG cylinder.
- 3. The MRO is calculated with the fresh water tank and water heater empty. If you travel with water in the fresh water tank or water heater then the payload will reduce accordingly.
- 4. PLEASE TAKE CARE TO ENSURE THAT YOU HAVE ALLOWED FOR THE MASSES OF ALL ITEMS YOU INTEND TO CARRY IN THE MOTOR CARAVAN, e.g. passengers, optional equipment, essential habitation equipment and personal effects, such as clothing, food, pets, bicycles, sailboards, sports equipment etc.

5. **WARNING** - UNDER NO CIRCUMSTANCES SHOULD THE MAXIMUM TECHNICAL PERMISSIBLE LADEN MASS OF THIS MOTOR CARAVAN BE EXCEEDED.

- \* Estimated
- \*\* Add 120mm to length if ladder option fitted.
- \*\*\* Add 100mm to height on low line if ladder option fitted.

Kon-Tiki 650			
Low Line			
150 MJT	150 MJT Auto (Option)	180 MJT (Option)	180 MJT Auto (Option)
2.3Ltr	2.3Ltr	2.3Ltr	2.3Ltr
110kW @ 3600rpm	110kW @ 3600rpm	131kW @ 3500rpm	131kW @ 3500rpm
380Nm @ 1500rpm	380Nm @ 1500rpm	400Nm @ 1500rpm	400Nm @ 1500rpm
Fiat AL-KO low line			
4.60m /15' 1"- 0.80m/2' 7"			
3			
4			
9.01m/ 29' 7"			
2.35m/ 7' 9"			
3.05m/ 10' 0"			
5000kg			
4057kg	4074kg	4057kg	4074kg
943kg	926kg	943kg	926kg
3901kg	3918kg	3901kg	3918kg
0kg			
THREE			
204cm x 135cm/ 6'10" x 4'5"			
192cm x 143cm/ 6'4" x 4'8"			

# Kon-tiki Specifications

Model	Kon-Tiki 650			
Roof Profile	High Line			
Engine	150 MJT	150 MJT Auto (Option)	180 MJT (Option)	180 MJT Auto (Option)
Engine Capacity	2.3Ltr	2.3Ltr	2.3Ltr	2.3Ltr
Max Power	110kW @ 3600rpm	110kW @ 3600rpm	131kW @ 3500rpm	131kW @ 3500rpm
Torque	380Nm @ 1500rpm	380Nm @ 1500rpm	400Nm @ 1500rpm	400Nm @ 1500rpm
Chassis	Fiat AL-KO low line			
Wheel base	4.60m /15' 1"- 0.80m/2' 7"			
Designated Passenger Seats	3			
Berths (sleeping positions)	6			
Overall Length**	9.01m/ 29' 7"			
Overall Width (mirrors folded)	2.35m/ 7' 9"			
Overall Height***	3.13m/ 10' 3"			
Maximum Technical Permissible Laden Mass (A)	5000kg			
Mass in Running Order (B)	4117kg	4134kg	4117kg	4134kg
Maximum User Payload (A-B)	883kg	866kg	883kg	866kg
Unladen Weight	3961kg	3978kg	3961kg	3978kg
Essential Habitation Equipment	0kg			
Thermal Insulation Grade	THREE			
Bed Sizes				
Front Double	204cm x 135cm/ 6'10" x 4'5"			
Front Offside Single				
Rear Double	192cm x 143cm/ 6'4" x 4'8"			
Rear Offside Single				
Rear Nearside Single				
Overcab Bed	190cm x 134cm/ 6'3" x 4'5"			

Kon-Tiki 675			
Low Line			
150 MJT	150 MJT Auto (Option)	180 MJT (Option)	180 MJT Auto (Option)
2.3Ltr	2.3Ltr	2.3Ltr	2.3Ltr
110kW @ 3600rpm	110kW @ 3600rpm	131kW @ 3500rpm	131kW @ 3500rpm
380Nm @ 1500rpm	380Nm @ 1500rpm	400Nm @ 1500rpm	400Nm @ 1500rpm
Fiat AL-KO low line			
4.60m /15' 1"- 0.80m/2' 7"			
3			
4			
9.01m/ 29' 7"			
2.35m/ 7' 9"			
3.05m/ 10' 0"			
5000kg			
4052kg	4069kg	4052kg	4069kg
948kg	931kg	948kg	931kg
3896kg	3913kg	3896kg	3913kg
0kg			
THREE			
204cm x 135cm/ 6'10" x 4'5"			
203cm x 138cm/ 6'8" x 4'6"			
193cm x 81cm/ 6'4" x 2'8"			
193cm x 81cm/ 6'4" x 2'8"			

**NOTE:** 1. **The Maximum User Payload** includes:

- a) the **conventional load** (this is the allowance for passengers)
- b) **essential habitation equipment** (items and fluids required for safe and proper functioning of habitation equipment)
- c) **optional equipment** (items available from the manufacturer over and above the standard specification)
- d) **personal effects** (those items not covered by the above)

- 2. The **Mass in Running Order** is the mass of the unladen vehicle including a 75kg allowance for the driver plus engine coolants and 90% of the fuel tank and 1 x 6kg Calor Lite LPG cylinder.
- 3. The MRO is calculated with the fresh water tank and water heater empty. If you travel with water in the fresh water tank or water heater then the payload will reduce accordingly.
- 4. PLEASE TAKE CARE TO ENSURE THAT YOU HAVE ALLOWED FOR THE MASSES OF ALL ITEMS YOU INTEND TO CARRY IN THE MOTOR CARAVAN, e.g. passengers, optional equipment, essential habitation equipment and personal effects, such as clothing, food, pets, bicycles, sailboards, sports equipment etc.

5. **WARNING** - UNDER NO CIRCUMSTANCES SHOULD THE MAXIMUM TECHNICAL PERMISSIBLE LADEN MASS OF THIS MOTOR CARAVAN BE EXCEEDED.

- \* Estimated
- \*\* Add 120mm to length if ladder option fitted.
- \*\*\* Add 100mm to height on low line if ladder option fitted.

## Kon-tiki Specifications

Model	Kon-Tiki 675			
Roof Profile	High Line			
Engine	150 MJT	150 MJT Auto (Option)	180 MJT (Option)	180 MJT Auto (Option)
Engine Capacity	2.3Ltr	2.3Ltr	2.3Ltr	2.3Ltr
Max Power	110kW @ 3600rpm	110kW @ 3600rpm	131kW @ 3500rpm	131kW @ 3500rpm
Torque	380Nm @ 1500rpm	380Nm @ 1500rpm	400Nm @ 1500rpm	400Nm @ 1500rpm
Chassis	Fiat AL-KO low line			
Wheel base	4.60m /15' 1"- 0.80m/2' 7"			
Designated Passenger Seats	3			
Berths (sleeping positions)	6			
Overall Length*	9.01m/ 29' 7"			
Overall Width (mirrors folded)	2.35m/ 7' 9"			
Overall Height**	3.13m/ 10' 3"			
Maximum Technical Permissible Laden Mass (A)	5000kg			
Mass in Running Order (B)	4112kg	4129kg	4112kg	4129kg
Maximum User Payload (A-B)	888kg	871kg	888kg	871kg
Unladen Weight	3956kg	3973kg	3956kg	3973kg
Essential Habitation Equipment	0kg			
Thermal Insulation Grade	THREE			
<b>Bed Sizes</b>				
Front Double	204cm x 135cm/ 6'10" x 4'5"			
Front Offside Single				
Rear Double	203cm x 138cm/ 6'8" x 4'6"			
Rear Offside Single	193cm x 81cm/ 6'4" x 2'8"			
Rear Nearside Single	193cm x 81cm/ 6'4" x 2'8"			
Overcab Bed	190cm x 134cm/ 6'3" x 4'5"			

**NOTE:** 1. **The Maximum User Payload** includes:

- the **conventional load** (this is the allowance for passengers)
- essential habitation equipment** (items and fluids required for safe and proper functioning of habitation equipment)
- optional equipment** (items available from the manufacturer over and above the standard specification)
- personal effects** (those items not covered by the above)

- The **Mass in Running Order** is the mass of the unladen vehicle including a 75kg allowance for the driver plus engine coolants and 90% of the fuel tank and 1 x 6kg Calor Lite LPG cylinder.
- The MRO is calculated with the fresh water tank and water heater empty. If you travel with water in the fresh water tank or water heater then the payload will reduce accordingly.
- PLEASE TAKE CARE TO ENSURE THAT YOU HAVE ALLOWED FOR THE MASSES OF ALL ITEMS YOU INTEND TO CARRY IN THE MOTOR CARAVAN, e.g. passengers, optional equipment, essential habitation equipment and personal effects, such as clothing, food, pets, bicycles, sailboards, sports equipment etc.

- WARNING** - UNDER NO CIRCUMSTANCES SHOULD THE MAXIMUM TECHNICAL PERMISSIBLE LADEN MASS OF THIS MOTOR CARAVAN BE EXCEEDED.

- \* Estimated
- \*\* Add 120mm to length if ladder option fitted.
- \*\*\* Add 100mm to height on low line if ladder option fitted.

## Kon-tiki Capacities

### Water Tank Capacities

	Fresh Water Tank	Waste Water Tank	Water Heater
Kon-Tiki	125 litre	100 litre	8.5 litre

### LPG Locker Capacity

	Capacity
Kon-Tiki	2 x 13kg

**Note:** For technical data on the base vehicle please refer to the manufacturer's handbook

# Kon-tiki Towing Capabilities

## Kon-Tiki Towing Capabilities

Model	MTPLM	Permissible Front Axle Load
Kon-Tiki 625 (L)	4250kg	2100kg
Kon-Tiki 625 (H)	4250kg	2100kg
Kon-Tiki 635 (L)	4250kg	2100kg
Kon-Tiki 635 (H)	4250kg	2100kg
Kon-Tiki 649 (H)	5000kg	2100kg
Kon-Tiki 650 (L)	5000kg	2100kg
Kon-Tiki 650 (H)	5000kg	2100kg
Kon-Tiki 675 (L)	5000kg	2100kg
Kon-Tiki 675 (H)	5000kg	2100kg

**⚠ CAUTION:** When fitting a towbar, it must meet certain minimum requirements as specified by Type Approval Regulations. The bar will have marked on it the approval standard (94/20/EC or 55R ECE) and the maximum download, or noseweight, that it can accept. It must fit the manufacturer's approved mounting points and must not obscure the towing vehicle's number plate.

# **The maximum trailer weight is limited by the Gross Train Weight which must not be exceeded.** For example, if the vehicle is at the maximum MTPLM of 5000kg, then the maximum trailer weight possible is 1000kg. Reducing the weight of the vehicle by removing payload, will allow you to increase the trailer weight up to a maximum of 1600kg.

To ensure adequate road holding, the load on the front axle, under all conditions, must not be less than 40% or more than 70% of the total weight.

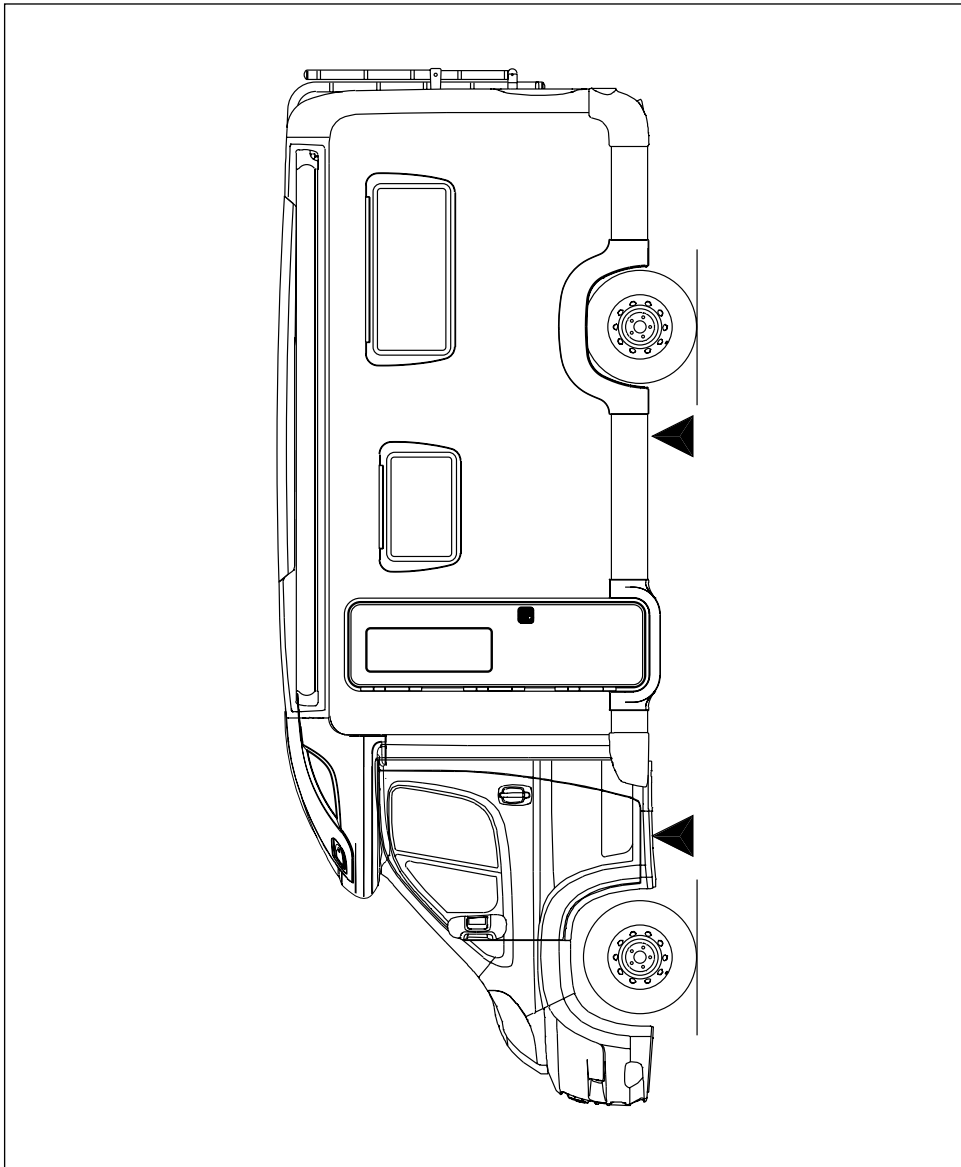
Care must be taken when distributing loads. The loadings and weights above are maximums and must not be exceeded under any circumstances.

† Maximum trailer nose weight limited to 40kg

Permissible Rear Axle Load	Recommended Maximum Trailer Weight <sup>#</sup>	Gross Train Weight
2500kg	1750kg < 2000kg <sup>†</sup>	6000kg
2500kg	1750kg < 2000kg <sup>†</sup>	6000kg
2500kg	1750kg < 2000kg <sup>†</sup>	6000kg
2500kg	1750kg < 2000kg <sup>†</sup>	6000kg
2 x 1600kg	1000kg < 1600kg	6000kg
2 x 1600kg	1000kg < 1600kg	6000kg
2 x 1600kg	1000kg < 1600kg	6000kg
2 x 1600kg	1000kg < 1600kg	6000kg
2 x 1600kg	1000kg < 1600kg	6000kg

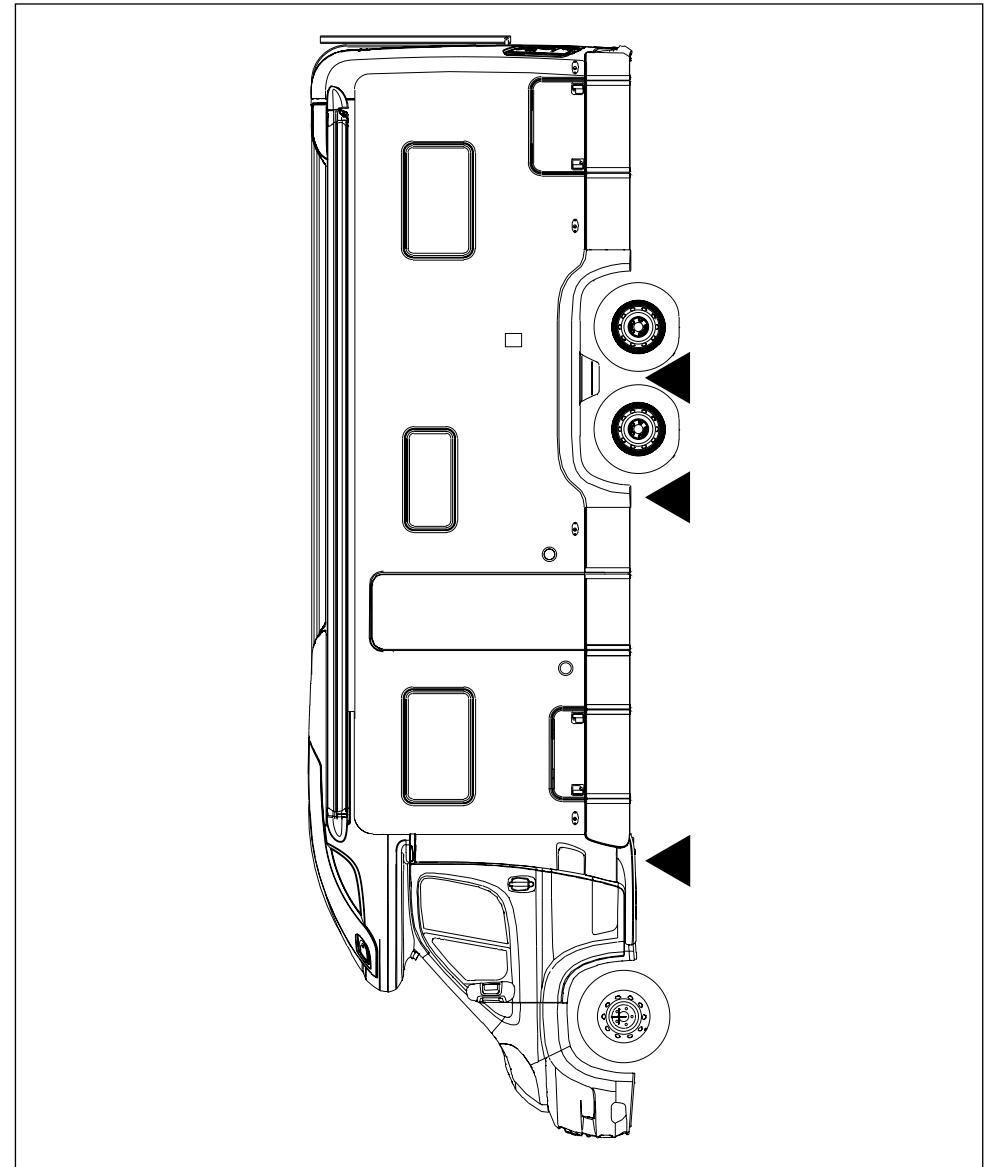


## Kon-Tiki single axle jacking points



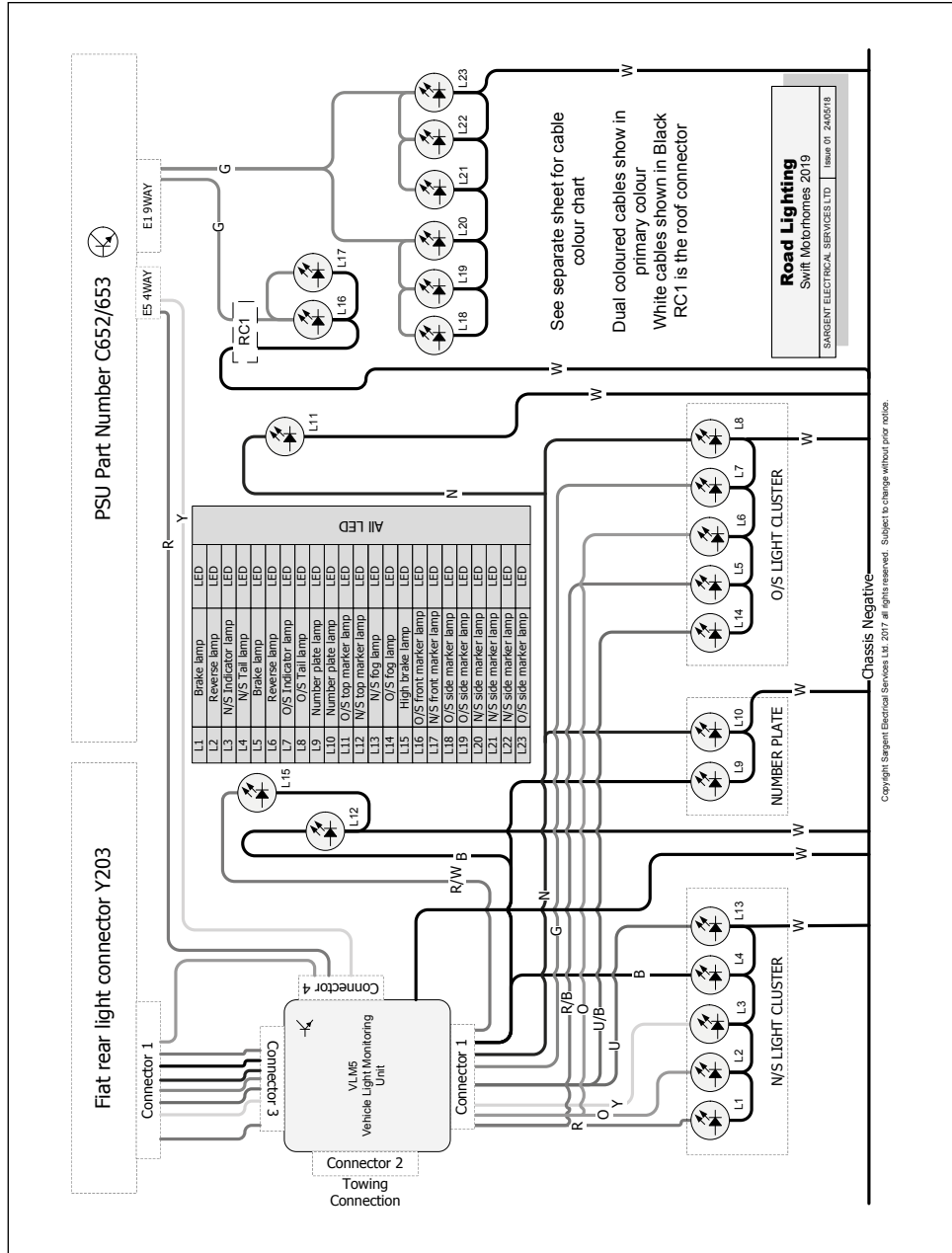
Jacking Points: ▲ For further details see the AL-KO handbook

## Kon-Tiki twin axle jacking points

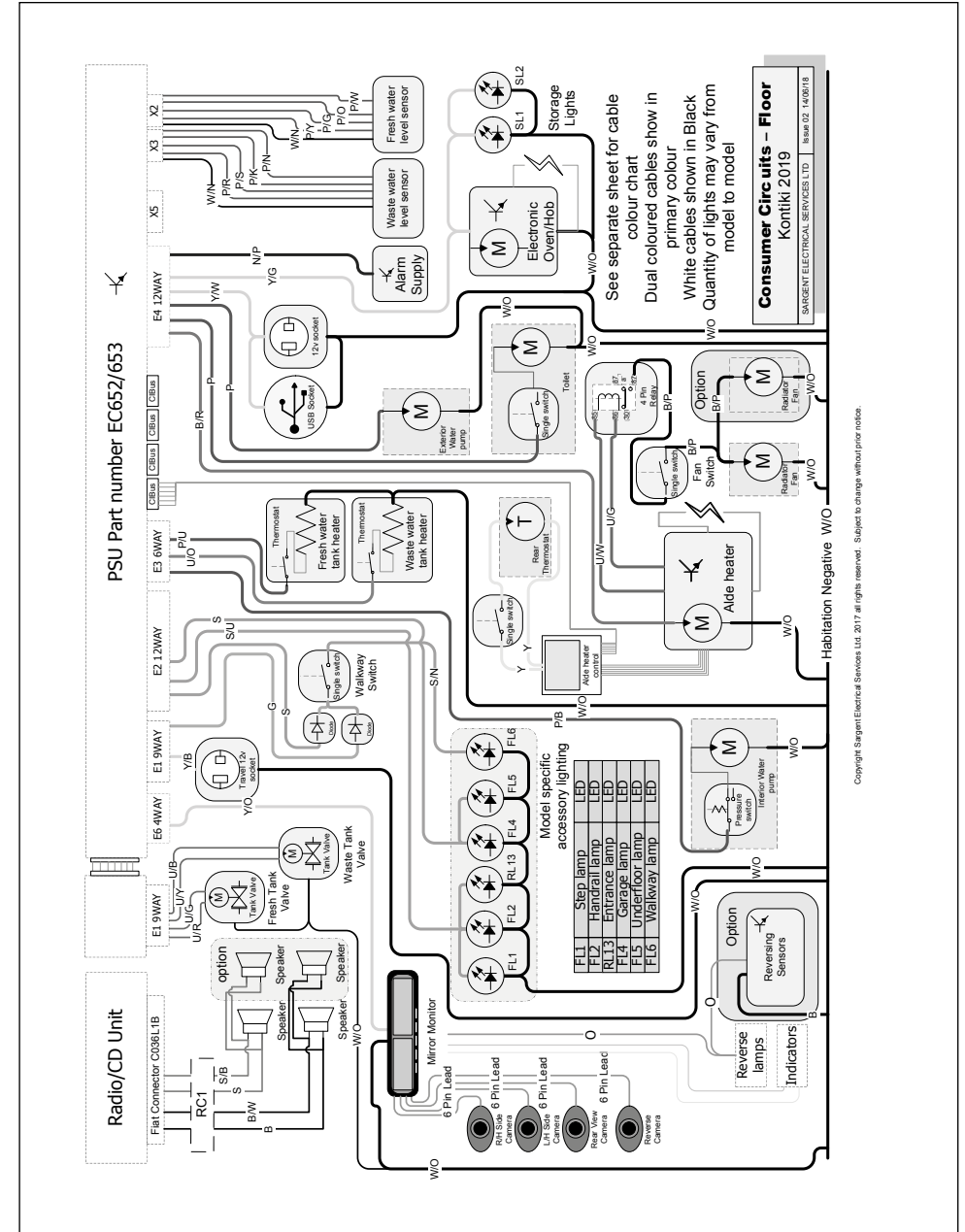


Jacking Points: ▲ For further details see the AL-KO handbook

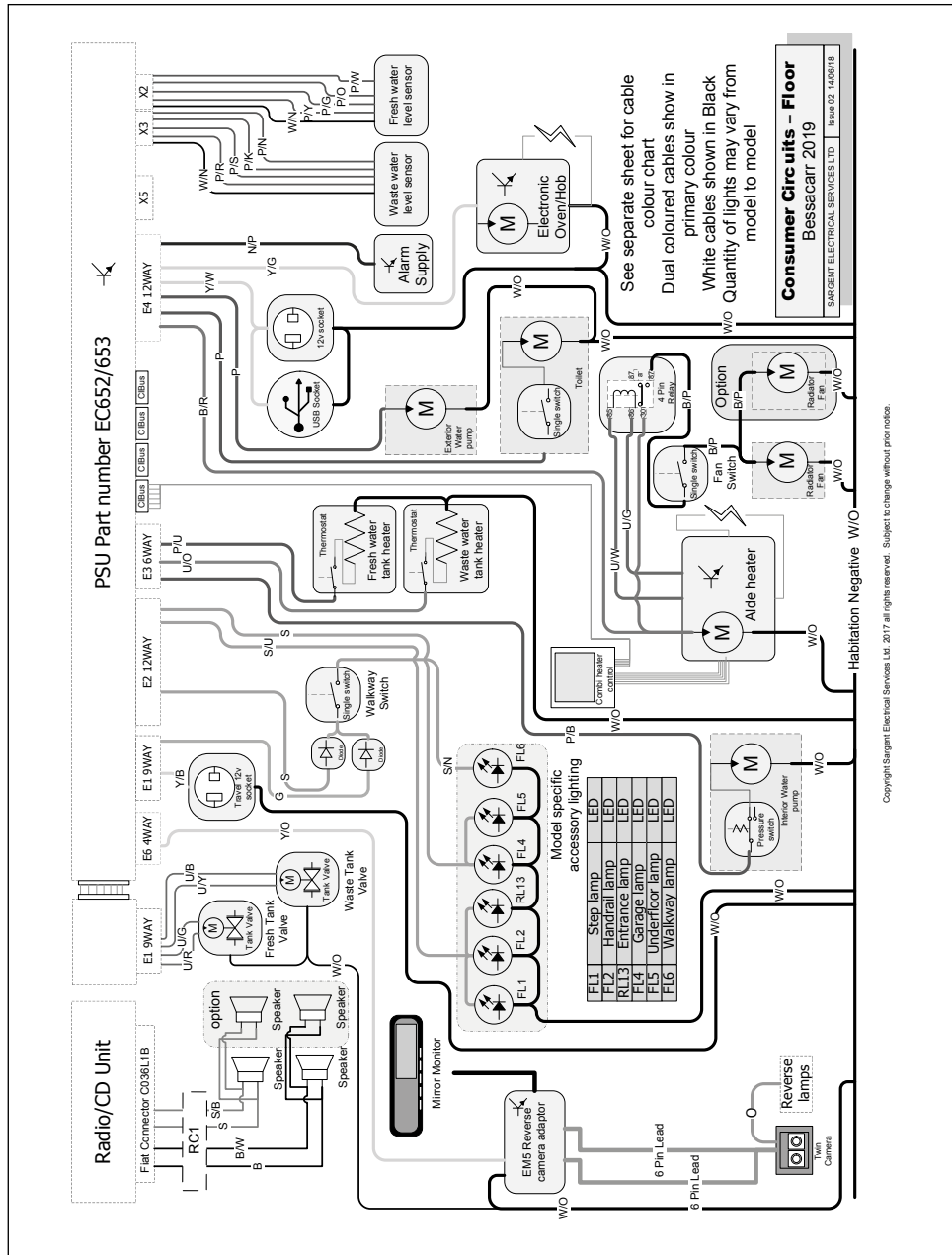
## Road lighting circuits



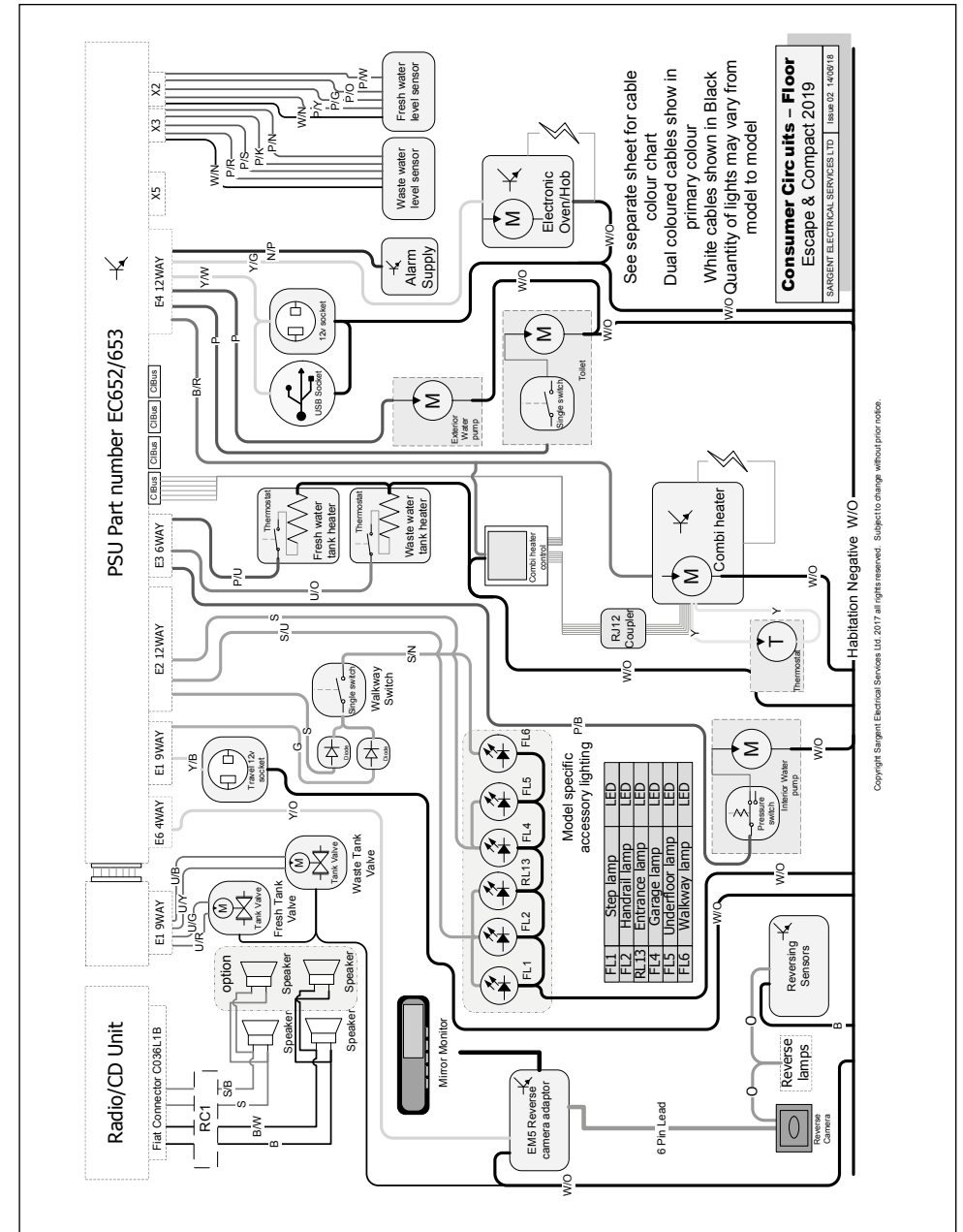
## Kon-tiki Consumer Circuits - Floor



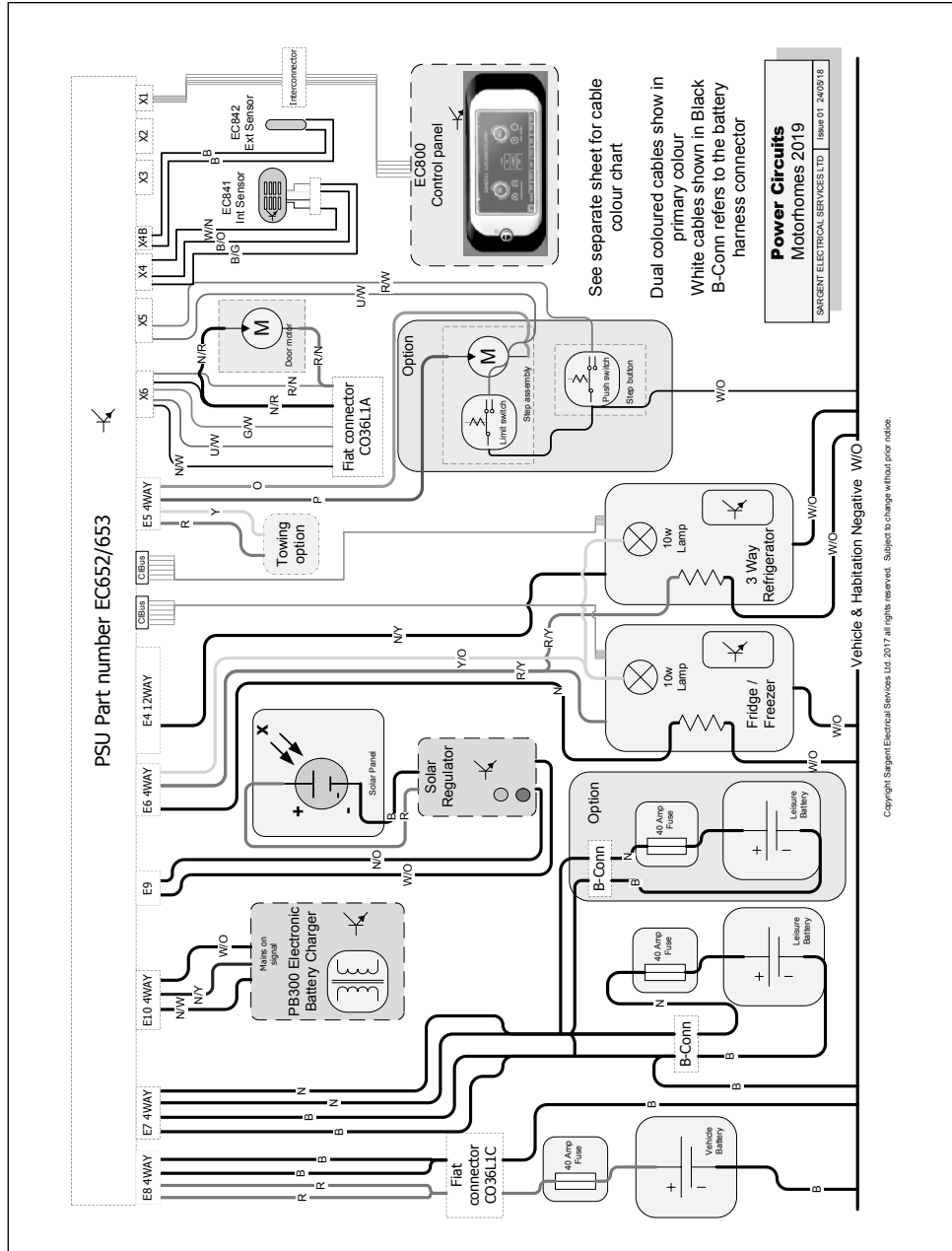
## Bessacarr Consumer Circuits - Floor



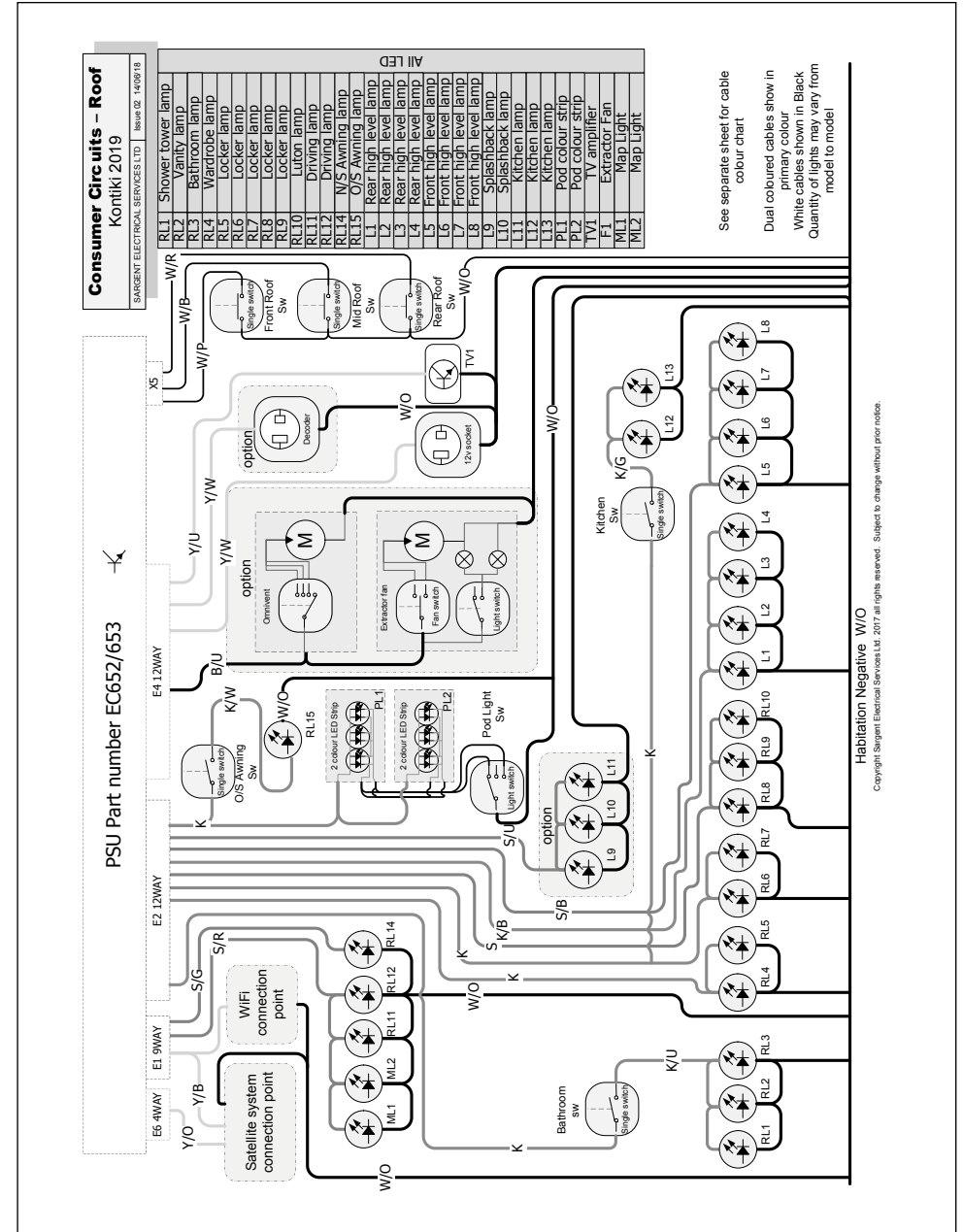
## Escape and Escape Compact Consumer Circuits - Floor



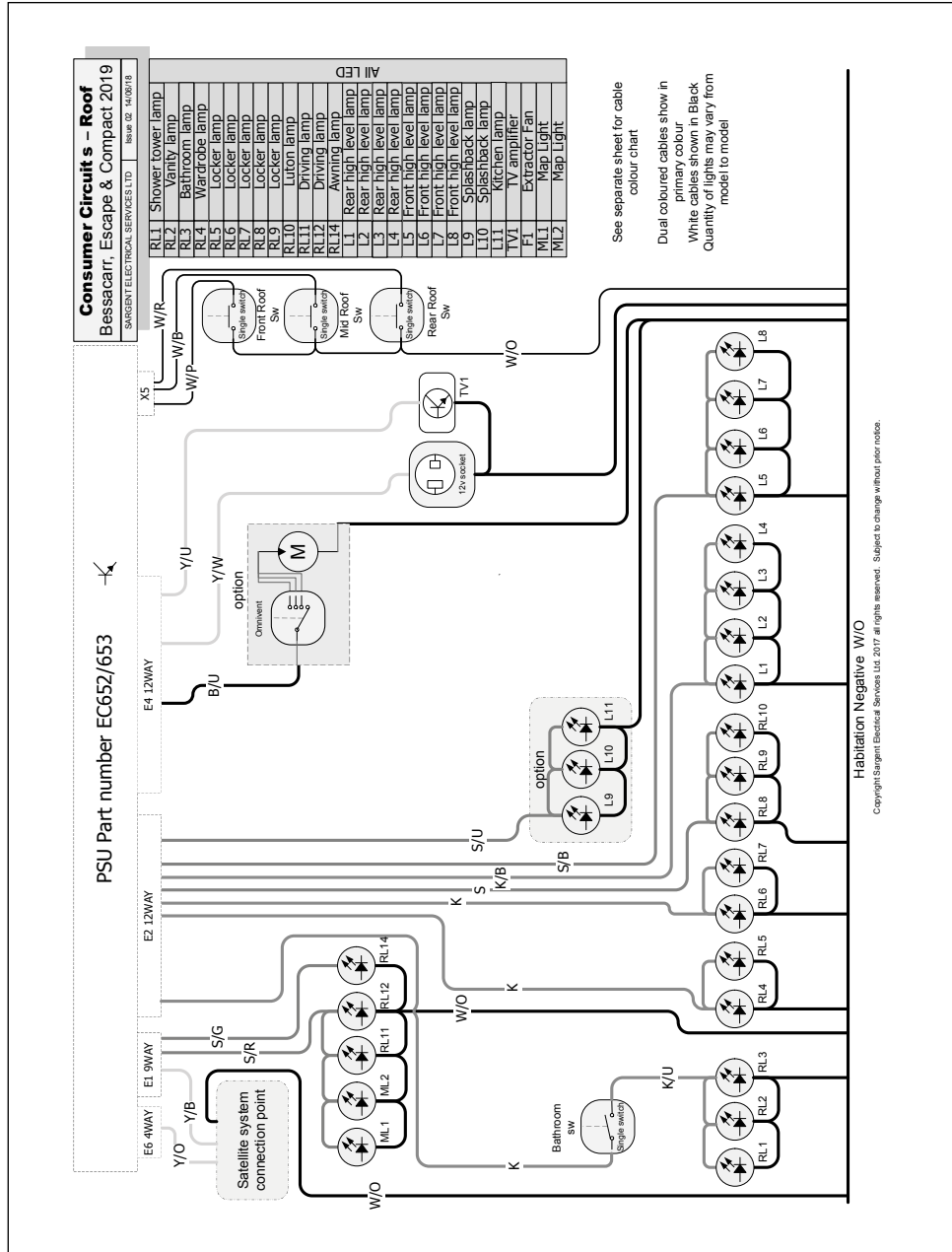
## Power Circuits



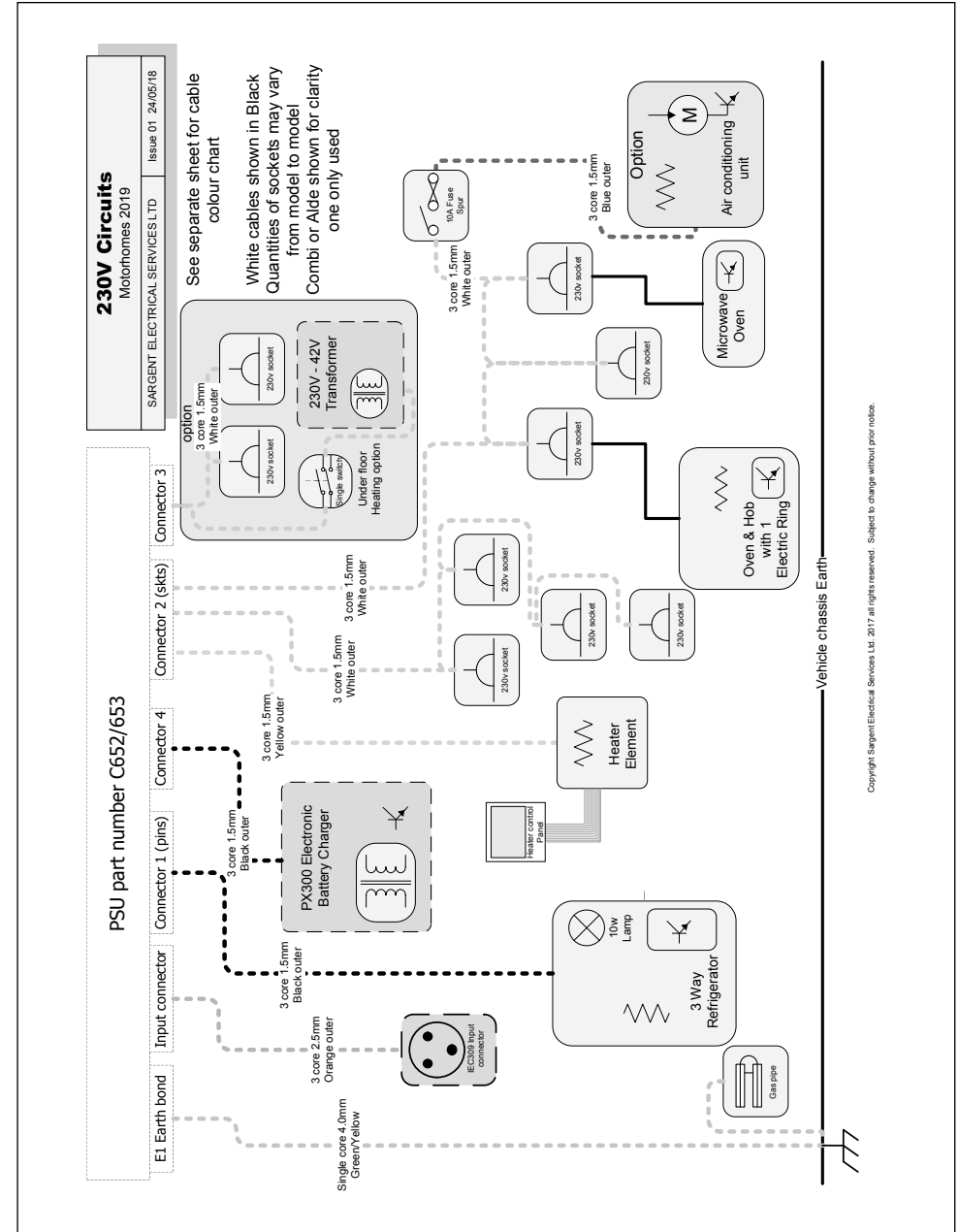
## Kon-tiki Consumer Circuits - Roof



## Bessacarr, Escape and Escape Compact Consumer Circuits - Roof



## 230V Circuits



## Cable Colour Chart

**Cable Colour Chart**  
Swift Group

SARGENT ELECTRICAL SERVICES LTD    Issue 01 24/05/18

Example

Yellow cable with blue stripe

Y/U

12v Cable Colours

B	BLACK
N	BROWN
R	RED
O	ORANGE
Y	YELLOW
G	GREEN
U	BLUE
P	PURPLE
S	SLATE GREY
W	WHITE
K	PINK

230v Cable Colours

B	BLACK
N	BROWN
W	WHITE
O	ORANGE
Y	YELLOW
G	GREEN
U	BLUE

Copyright Sargent Electrical Services Ltd. 2017. All rights reserved. Subject to change without prior notice.

## ROAD LIGHT BULB ACCESS

### REAR LIGHT CLUSTERS (CONTAINING INDICATOR, TAIL / STOP, REVERSE AND FOG LAMPS)

- These multi-function lights are LED and have no user serviceable parts inside.
- Replacement clusters can be fitted in the following way:
  - Remove three screws visible around the perimeter of the cluster
  - Pull the cluster away from the rear panel of the tourer, taking care to not put excessive strain on the electrical connections behind the lamp
  - Unplug the electrical connection from the rear of the lamp, by releasing the tab and lifting the connector upwards relative to the cluster
  - Plug the connector back into the replacement lamp, position the lamp into the recess and replace the three fixing screws.

### NUMBER PLATE LAMPS, LED

- These lamps are LED and have no user serviceable parts inside.
- Replacements should be undertaken by your dealer, as the lamps are sealed onto the mounting panel.

### HIGH LEVEL BRAKE LAMP

- These lamps are LED and have no user serviceable parts inside.
- Replacements should be undertaken by your dealer, as the lamps are sealed onto the mounting panel.

## FRONT AND REAR UPPER MARKER / POSITION LAMPS

- These lamps are LED and have no user serviceable parts inside.
- Replacements should be undertaken by your dealer, as the lamps are sealed onto the mounting panel.

## SIDE MARKER / POSITION LAMPS

- These lamps are LED and have no user serviceable parts inside.
- Replacements should be undertaken by your dealer, as the lamps are sealed onto the mounting panel.



## Dealer Special Editions based on Escape Compact

Model	Escape Compact C404 Standard	Escape Compact C404 Optional
Dealer		
Highbridge	Coastline Design C40	Coastline Design C40
Spinney	Vogue C40	Vogue C40
Brownhills	Champagne C404	Champagne C404
Lowdhams	Freestyle C404	Freestyle C404
Knowepark	Searcher C40	Searcher C40
Webbs & Dolphin	Spirit C404	Spirit C404
Glossop	Celebration C404	Celebration C404
Wandahome	Corniche 340	Corniche 340
Roof Profile	Low Line	
Engine	130 MJT	130 MJT Auto
Engine Capacity	2.3ltr	2.3ltr
Max Power	96kW @ 3600rpm	96kW @ 3600rpm
Torque	320Nm @ 1800rpm	320Nm @ 1800rpm
Chassis	MLWB Fiat Chassis	
Wheel base	3.80m/12'6"	
Designated Passenger Seats excluding Driver	3	
Berths (sleeping positions)	4	
Overall Length (no ladder)**	5.99m/19'8"	
Overall Width (mirrors folded)	2.26m/7'5"	
Overall Height**	2.78m/9'1"	
Maximum Technical Permissible Laden Mass (A)	3300kg	
Mass in Running Order (B)	2822kg	2839kg
Maximum User Payload (A-B)	478kg	461kg
Unladen Weight	2606kg	2623kg
Essential Habitation Equipment	0kg	
Thermal Insulation Grade	Three	
<b>Bed Sizes</b>		
Rear Double	193cm x 120cm / 6'4" x 3'11"	
Drop Down Bed	183cm x 118cm / 6'1" x 3'10"	

**NOTE:** 1. The **Maximum User Payload** includes:

- the **conventional load** (this is the allowance for passengers)
- essential habitation equipment** (items and fluids required for safe and proper functioning of habitation equipment)
- optional equipment** (items available from the manufacturer over and above the standard specification)
- personal effects** (those items not covered by the above)

2. The **Mass in Running Order** is the mass of the unladen vehicle including a 75kg allowance for the driver plus engine coolants and 90% of the fuel tank and 1 x 6kg Calor Lite cylinder. The MRO is calculated with the fresh water tank empty. If you travel with water in the fresh water tank then the payload will reduce accordingly.

3. PLEASE TAKE CARE TO ENSURE THAT YOU HAVE ALLOWED FOR THE MASSES OF ALL ITEMS YOU INTEND TO CARRY IN THE MOTOR CARAVAN, e.g. passengers, optional equipment, essential

habitation equipment and personal effects, such as clothing, food, pets, bicycles, sailboards, sports equipment etc.

4. **WARNING** - UNDER NO CIRCUMSTANCES SHOULD THE MAXIMUM TECHNICAL PERMISSIBLE LADEN MASS OF THIS MOTOR CARAVAN BE EXCEEDED.

\* Estimated

\*\* For optional roof ladder add 125mm to length 40mm to height on Low Line







## Dealer Special Editions based on Escape

Model	Escape 664 Standard	Escape 664 Optional
Dealer		
3A's	Charisma 664	Charisma 664
Highbridge	Coastline 664	Coastline 664
Spinney	Vogue 664	Vogue 664
Brownhills	Champagne 664	Champagne 664
Lowdhams	Freestyle 664	Freestyle 664
Knowepark	Searcher 664	Searcher 664
Webbs & Dolphin	Spirit 664	Spirit 664
Glossop	Celebration 664	Celebration 664
Wandahome	Corniche 664	Corniche 664
Sussex	Goodwood	Goodwood
Merit RV (New Zealand)	Voyager 664	Voyager 664
Roof Profile	Low Line	
Engine	130 MJT	130 MJT Auto
Engine Capacity	2.3ltr	2.3ltr
Max Power	96kW @ 3600rpm	96kW @ 3600rpm
Torque	320Nm @ 1800rpm	320Nm @ 1800rpm
Chassis	MLWB Fiat Chassis	
Wheel base	3.80m/12'6"	
Designated Passenger Seats excluding Driver	3	
Berths (sleeping positions)	4	
Overall Length (no ladder)**	6.72m/22'1"	
Overall Width (mirrors folded)	2.31m/7'7"	
Overall Height**	2.91m/9'6"	
Maximum Technical Permissible Laden Mass (A)	3500kg	
Mass in Running Order (B)	2905kg	2922kg
Maximum User Payload (A-B)	595kg	578kg
Unladen Weight	2749kg	2766kg
Essential Habitation Equipment	0kg	
Thermal Insulation Grade	Three	
<b>Bed Sizes</b>		
Front Double	209cm x 123cm/92cm / 6'9" x 4'0"/3'0"	
Front Nearside Single		
Front Offside Single		
Rear Double	187cm x 126cm / 6'2" x 4'2"	
Rear Nearside Single		
Rear Offside Single		
Rear Bunk (Upper)		
Rear Bunk (Lower)		
Front Drop Down Bed		

**NOTE:** 1. The **Maximum User Payload** includes:

- the **conventional load** (this is the allowance for passengers)
- essential habitation equipment** (items and fluids required for safe and proper functioning of habitation equipment)
- optional equipment** (items available from the manufacturer over and above the standard specification)
- personal effects** (those items not covered by the above)

2. The **Mass in Running Order** is the mass of the unladen vehicle including a 75kg allowance for the driver plus engine coolants and 90% of the fuel tank and 1 x 6kg Calor Lite cylinder. The MRO is calculated with the fresh water tank empty. If you travel with water in the fresh water tank then the payload will reduce accordingly.

3. PLEASE TAKE CARE TO ENSURE THAT YOU HAVE ALLOWED FOR THE MASSES OF ALL ITEMS YOU INTEND TO CARRY IN THE MOTOR CARAVAN, e.g. passengers, optional equipment, essential

habitation equipment and personal effects, such as clothing, food, pets, bicycles, sailboards, sports equipment etc.

4. **WARNING** - UNDER NO CIRCUMSTANCES SHOULD THE MAXIMUM TECHNICAL PERMISSIBLE LADEN MASS OF THIS MOTOR CARAVAN BE EXCEEDED.

\* Estimated

\*\* For optional roof ladder add 125mm to length 40mm to height on Low Line

Escape 674 Standard	Escape 674 Drop Down Bed & Travelling Seat	Escape 674 Optional	Escape 674 Drop Down Bed & Travelling Seat Optional*
	Charisma 674		Charisma 674
	Coastline 674		Coastline 674
	Vogue 674		Vogue 674
	Champagne 674		Champagne 674
	Freestyle 674		Freestyle 674
	Searcher 674		Searcher 674
	Spirit 674		Spirit 674
	Celebration 674		Celebration 674
	Corniche 674		Corniche 674
	Voyager 674		Voyager 674
	Low Line		
	130 MJT		130 MJT Auto
	2.3ltr		2.3ltr
	96kW @ 3600rpm		96kW @ 3600rpm
	320Nm @ 1800rpm		320Nm @ 1800rpm
	Fiat / Al-Ko Chassis		
	4.65m/15'3"		
3	4	3	4
4	6	4	6
	7.41m/24'4"		
	2.31m/7'7"		
	2.88m/9'5"		
	3500kg		3700kg
2960kg	3060kg	2977kg	3077kg
540kg	440kg	523kg	623kg
2827kg	2927kg	2844kg	2944kg
	0kg		
	Three		
	2.09m x 1.39m/1.03m / 6'10" x 4'7"/3'5"		
	2.06m x 1.83m / 6'9" x 6'0"		
	1.83m x 0.68m / 6'0" x 2'3"		
	1.91m x 0.68m / 6'3" x 2'3"		
	1.93m x 1.27m / 6'4" x 4'2" (opt)		





## Dealer Special Editions based on Bessacarr

Model	Bessacarr 524 Standard	Bessacarr 524 Option
Dealer		
Lowdhams	Hi-Style 524	Hi-Style 524
Roof Profile	High Line	
Engine	150 MJT	150 MJT AUTO (Option)
Engine Capacity	2.3Ltr	
Max Power	110kW @ 3600rpm	
Torque	380Nm @ 1500rpm	
Chassis	MLWB Fiat Low Line Chassis	
Wheel base	3.80m/12'6"	
Designated Passenger Seats excluding Driver	3	
Berths (sleeping positions)	4	
Overall Length (no ladder)**	5.99m / 19'8"	
Overall Width (mirrors folded)	2.38m/7'10"	
Overall Height**	2.82m/9'3"	
Maximum Technical Permissible Laden Mass (A)	3500kg	
Mass in Running Order (B)	3028kg	3045kg
Maximum User Payload (A-B)	472kg	455kg
Unladen Weight	2872kg	2889kg
Essential Habitation Equipment	0kg	
Thermal Insulation Grade	THREE	
<b>Bed Sizes</b>		
Front Double	209cm x 150cm/103cm / 6'10" x 4'11"/3'5"	
Front Nearside Single		
Front Offside Single		
Rear Double		
Rear Nearside Single		
Rear Offside Single		
Manual Drop Down Bed	190cm x 127cm / 6'3" x 4'2"	

**NOTE:** 1. The **Maximum User Payload** includes:  
a) the **conventional load** (this is the allowance for passengers)  
b) **essential habitation equipment** (items and fluids required for safe and proper functioning of habitation equipment)  
c) **optional equipment** (items available from the manufacturer over and above the standard specification)  
d) **personal effects** (those items not covered by the above)  
2. The **Mass in Running Order** is the mass of the unladen vehicle including a 75kg allowance for the

driver plus engine coolants and 90% of the fuel tank and 1 x 6kg Calor Lite LPG cylinder.  
3. The Mass in running order is calculated with the fresh water tank and water heater empty. If you travel with water in the fresh water tank or water heater then the payload will reduce accordingly.  
4. PLEASE TAKE CARE TO ENSURE THAT YOU HAVE ALLOWED FOR THE MASSES OF ALL ITEMS YOU INTEND TO CARRY IN THE MOTOR CARAVAN, e.g. passengers, optional equipment, essential habitation equipment and personal effects, such as clothing, food, pets, bicycles, sailboards, sports equipment etc.

5. **WARNING** - UNDER NO CIRCUMSTANCES SHOULD THE MAXIMUM TECHNICAL PERMISSIBLE LADEN MASS OF THIS MOTOR CARAVAN BE EXCEEDED.

\* Estimated

\*\* For Optional Roof Ladder (Add 125mm length and 40mm height)

Bessacarr 560 Standard	Bessacarr 560 Option	Bessacarr 560 Lounge Standard	Bessacarr 560 Lounge Option
Hi-Style 560		Hi-Style 560 Lounge	
Low Line			
150 MJT	150 MJT AUTO (Option)	150 MJT	150 MJT AUTO (Option)
2.3Ltr			
110kW @ 3600rpm			
380Nm @ 1500rpm			
LWB Fiat Low Line Chassis			
4.04m/13'3"			
3		1	
4			
7.09m/23'3"			
2.38m/7'10"			
2.82m/9'3"			
3500kg			
3128kg	3145kg	3088kg	3105kg
372kg	355kg	412kg	395kg
2972kg	2989kg	2932kg	2949kg
0kg			
THREE			
209cm x 123cm/103cm / 6'10" x 4'0"/3'5"		201cm x 120cm/103cm / 6'7" x 3'11"/3'5"	
190cm x 126cm / 6'3" x 4'2"			

## Dealer Special Editions based on Bessacarr

Model	Bessacarr 562 Standard	Bessacarr 562 Option
Dealer		
Lowdhams	Hi-Style 562	
Roof Profile	High Line	
Engine	150 MJT	150 MJT AUTO
Engine Capacity	2.3Ltr	
Max Power	110kW @ 3600rpm	
Torque	380Nm @ 1500rpm	
Chassis	MWB Fiat Low Line Chassis	
Wheel base	3.45m/11'4"	
Designated Passenger Seats excluding Driver	1	
Berths (sleeping positions)	2	
Overall Length (no ladder)**	6.54m/21'5"	
Overall Width (mirrors folded)	2.38m/7'10"	
Overall Height**	2.82m/9'3"	
Maximum Technical Permissible Laden Mass (A)	3500kg	
Mass in Running Order (B)	3006kg	3023kg
Maximum User Payload (A-B)	494kg	477kg
Unladen Weight	2850kg	2867kg
Essential Habitation Equipment	0kg	
Thermal Insulation Grade	THREE	
<b>Bed Sizes</b>		
Front Double		
Front Nearside Single		
Front Offside Single		
Rear Double	202cm x 182cm / 6'8" x 6'0"	
Rear Nearside Single	182cm x 69cm / 6'0" x 2'3"	
Rear Offside Single	182cm x 69cm / 6'0" x 2'3"	
Manual Drop Down Bed		

**NOTE:** 1. The **Maximum User Payload** includes:  
a) the **conventional load** (this is the allowance for passengers)  
b) **essential habitation equipment** (items and fluids required for safe and proper functioning of habitation equipment)  
c) **optional equipment** (items available from the manufacturer over and above the standard specification)  
d) **personal effects** (those items not covered by the above)  
2. The **Mass in Running Order** is the mass of the unladen vehicle including a 75kg allowance for the

driver plus engine coolants and 90% of the fuel tank and 1 x 6kg Calor Lite LPG cylinder.  
3. The Mass in running order is calculated with the fresh water tank and water heater empty. If you travel with water in the fresh water tank or water heater then the payload will reduce accordingly.  
4. PLEASE TAKE CARE TO ENSURE THAT YOU HAVE ALLOWED FOR THE MASSES OF ALL ITEMS YOU INTEND TO CARRY IN THE MOTOR CARAVAN, e.g. passengers, optional equipment, essential habitation equipment and personal effects, such as clothing, food, pets, bicycles, sailboards, sports equipment etc.

5. **WARNING** - UNDER NO CIRCUMSTANCES SHOULD THE MAXIMUM TECHNICAL PERMISSIBLE LADEN MASS OF THIS MOTOR CARAVAN BE EXCEEDED.

\* Estimated

\*\* For Optional Roof Ladder (Add 125mm length and 40mm height)

Bessacarr 574 Standard	Bessacarr 574 Option	Bessacarr 574 Lounge Standard	Bessacarr 574 Lounge Option
Hi-Style 574			
Low Line			
150 MJT	150 MJT AUTO	150 MJT	150 MJT AUTO
2.3Ltr			
110kW @ 3600rpm			
380Nm @ 1500rpm			
Fiat / AL-KO Low Line Chassis			
4.40m/14'5"			
3			
4			
7.77m/25'6"			
2.38m/7'10"			
2.76m/9'1"			
3850kg		3500kg	
3282kg	3299kg	3232kg	3249kg
568kg	551kg	268kg	251kg
3126kg	3143kg	3076kg	3093kg
0kg			
THREE			
209cm x 123cm/103cm / 6'10" x 4'0"/3'5"		201cm x 120cm/103cm / 6'7" x 3'11"/3'5"	
201cm x 75cm / 6'7" x 2'5"			
192cm x 75cm / 6'4" x 2'5"			

## Dealer Special Editions based on Bessacarr

Model	Bessacarr 584 Standard	Bessacarr 584 option
Dealer		
Lowdhams	Hi-Style 584	
Roof Profile	Low Line	
Engine	150 MJT	150 MJT AUTO (Option)
Engine Capacity	2.3Ltr	
Max Power	110kW @ 3600rpm	
Torque	380Nm @ 1500rpm	
Chassis	Fiat / AL-KO Low Line Chassis	
Wheel base	4.40m/14'5"	
Designated Passenger Seats excluding Driver	3	
Berths (sleeping positions)	4	
Overall Length (no ladder)**	7.77m/25'6"	
Overall Width (mirrors folded)	2.38m/7'10"	
Overall Height**	2.76m/9'1"	
Maximum Technical Permissible Laden Mass (A)	3850kg	
Mass in Running Order (B)	3253kg	3270kg
Maximum User Payload (A-B)	597kg	580kg
Unladen Weight	3097kg	3114kg
Essential Habitation Equipment	0kg	
Thermal Insulation Grade	THREE	
<b>Bed Sizes</b>		
Front Double	209cm x 123cm/103cm / 6'10" x 4'0"/3'5"	
Front Nearside Single		
Front Offside Single		
Rear Double	199cm x 131cm / 6'6" x 4'4"	
Rear Nearside Single		
Rear Offside Single		
Manual Drop Down Bed		

**NOTE:** 1. The **Maximum User Payload** includes:  
a) the **conventional load** (this is the allowance for passengers)  
b) **essential habitation equipment** (items and fluids required for safe and proper functioning of habitation equipment)  
c) **optional equipment** (items available from the manufacturer over and above the standard specification)  
d) **personal effects** (those items not covered by the above)  
2. The **Mass in Running Order** is the mass of the unladen vehicle including a 75kg allowance for the

driver plus engine coolants and 90% of the fuel tank and 1 x 6kg Calor Lite LPG cylinder.  
3. The Mass in running order is calculated with the fresh water tank and water heater empty. If you travel with water in the fresh water tank or water heater then the payload will reduce accordingly.  
4. PLEASE TAKE CARE TO ENSURE THAT YOU HAVE ALLOWED FOR THE MASSES OF ALL ITEMS YOU INTEND TO CARRY IN THE MOTOR CARAVAN, e.g. passengers, optional equipment, essential habitation equipment and personal effects, such as clothing, food, pets, bicycles, sailboards, sports equipment etc.

5. **WARNING** - UNDER NO CIRCUMSTANCES SHOULD THE MAXIMUM TECHNICAL PERMISSIBLE LADEN MASS OF THIS MOTOR CARAVAN BE EXCEEDED.  
\* Estimated  
\*\* For Optional Roof Ladder (Add 125mm length and 40mm height)

Bessacarr 584 Lounge Standard	Bessacarr 584 Lounge Option
Hi-Style 584 Lounge	
Low Line	
150 MJT (Option)	150 MJT AUTO (Option)
2.3Ltr	
110kW @ 3600rpm	
380Nm @ 1500rpm	
Fiat / AL-KO Low Line Chassis	
4.40m/14'5"	
1	
4	
7.77m/25'6"	
2.38m/7'10"	
2.76m/9'1"	
3500kg	
3203kg	3220kg
297kg	280kg
3047kg	3064kg
0kg	
THREE	
201cm x 120cm/103cm / 6'7" x 3'11"/3'5"	
199cm x 131cm / 6'6" x 4'4"	



## Dealer Special Editions based on Bessacarr

Model	Bessacarr 596 Standard	Bessacarr 596 Option
Dealer		
Lowdhams	Hi-Style 596	
Roof Profile	High Line	
Engine	150 MJT (Option)	150 MJT AUTO (Option)
Engine Capacity	2.3Ltr	
Max Power	110kW @ 3600rpm	
Torque	380Nm @ 1500rpm	
Chassis	Fiat / AL-KO Low Line Chassis	
Wheel base	4.70m/15'5"	
Designated Passenger Seats excluding Driver	5	
Berths (sleeping positions)	6	
Overall Length (no ladder)**	8.11m/26'7"	
Overall Width (mirrors folded)	2.38m/7'10"	
Overall Height**	2.82m/9'3"	
Maximum Technical Permissible Laden Mass (A)	4250kg	
Mass in Running Order (B)	3428kg	3445kg
Maximum User Payload (A-B)	822kg	805kg
Unladen Weight	3272kg	3289kg
Essential Habitation Equipment	0kg	
Thermal Insulation Grade	THREE	
<b>Bed Sizes</b>		
Front Double	209cm x 180cm/121cm / 6'10" x 5'11"/4'0"	
Front Nearside Single		
Front Offside Single		
Rear Double	202cm x 163cm / 6'8" x 5'4"	
Rear Nearside Single	173cm x 69cm / 5'8" x 2'3"	
Rear Offside Single	163cm x 69cm / 5'4" x 2'3"	
Manual Drop Down Bed	196cm x 133cm / 6'5" x 4'4"	

**NOTE:** 1. The **Maximum User Payload** includes:  
a) the **conventional load** (this is the allowance for passengers)  
b) **essential habitation equipment** (items and fluids required for safe and proper functioning of habitation equipment)  
c) **optional equipment** (items available from the manufacturer over and above the standard specification)  
d) **personal effects** (those items not covered by the above)  
2. The **Mass in Running Order** is the mass of the unladen vehicle including a 75kg allowance for the

driver plus engine coolants and 90% of the fuel tank and 1 x 6kg Calor Lite LPG cylinder.  
3. The Mass in running order is calculated with the fresh water tank and water heater empty. If you travel with water in the fresh water tank or water heater then the payload will reduce accordingly.  
4. PLEASE TAKE CARE TO ENSURE THAT YOU HAVE ALLOWED FOR THE MASSES OF ALL ITEMS YOU INTEND TO CARRY IN THE MOTOR CARAVAN, e.g. passengers, optional equipment, essential habitation equipment and personal effects, such as clothing, food, pets, bicycles, sailboards, sports equipment etc.

5. **WARNING** - UNDER NO CIRCUMSTANCES SHOULD THE MAXIMUM TECHNICAL PERMISSIBLE LADEN MASS OF THIS MOTOR CARAVAN BE EXCEEDED.

\* Estimated

\*\* For Optional Roof Ladder (Add 125mm length and 40mm height)

Bessacarr 597 Standard	Bessacarr 597 Option
Hi-Style 597	
Low Line	
150 MJT	150 MJT AUTO (Option)
2.3Ltr	
110kW @ 3600rpm	
380Nm @ 1500rpm	
Fiat / AL-KO Low Line Chassis	
4.70m/15'5"	
3	
4	
8.11m/26'7"	
2.38m/7'10"	
2.76m/9'1"	
3850kg	
3338kg	3355kg
512kg	495kg
3182kg	3199kg
0kg	
THREE	
209cm x 123cm/103cm / 6'10" x 4'0"/3'5"	
216cm x 120cm / 7'1" x 3'11"	
199cm x 81cm / 6'6" x 2'8"	
199cm x 81cm / 6'6" x 2'8"	

## Dealer Special Editions based on Bessacarr

Model	Bessacarr 597 Lounge Standard	Bessacarr 597 Lounge Option
Dealer		
Lowdhams	Hi-Style 597 lounge	
Roof Profile	Low Line	
Engine	150 MJT	150 MJT AUTO (Option)
Engine Capacity	2.3Ltr	
Max Power	110kW @ 3600rpm	
Torque	380Nm @ 1500rpm	
Chassis	Fiat / AL-KO Low Line Chassis	
Wheel base	4.70m/15'5"	
Designated Passenger Seats excluding Driver	1	
Berths (sleeping positions)	4	
Overall Length (no ladder)**	8.11m/26'7"	
Overall Width (mirrors folded)	2.38m/7'10"	
Overall Height**	2.76m/9'1"	
Maximum Technical Permissible Laden Mass (A)	3500kg	
Mass in Running Order (B)	3288kg	3305kg
Maximum User Payload (A-B)	212kg	195kg
Unladen Weight	3132kg	3149kg
Essential Habitation Equipment	0kg	
Thermal Insulation Grade	THREE	
<b>Bed Sizes</b>		
Front Double	201cm x 120cm/103cm / 6'7" x 3'11"/3'5"	
Front Nearside Single		
Front Offside Single		
Rear Double	216cm x 120cm / 7'1" x 3'11"	
Rear Nearside Single	199cm x 81cm / 6'6" x 2'8"	
Rear Offside Single	199cm x 81cm / 6'6" x 2'8"	
Manual Drop Down Bed		

**NOTE:** 1. The **Maximum User Payload** includes:  
a) the **conventional load** (this is the allowance for passengers)  
b) **essential habitation equipment** (items and fluids required for safe and proper functioning of habitation equipment)  
c) **optional equipment** (items available from the manufacturer over and above the standard specification)  
d) **personal effects** (those items not covered by the above)  
2. The **Mass in Running Order** is the mass of the unladen vehicle including a 75kg allowance for the

driver plus engine coolants and 90% of the fuel tank and 1 x 6kg Calor Lite LPG cylinder.  
3. The Mass in running order is calculated with the fresh water tank and water heater empty. If you travel with water in the fresh water tank or water heater then the payload will reduce accordingly.  
4. PLEASE TAKE CARE TO ENSURE THAT YOU HAVE ALLOWED FOR THE MASSES OF ALL ITEMS YOU INTEND TO CARRY IN THE MOTOR CARAVAN, e.g. passengers, optional equipment, essential habitation equipment and personal effects, such as clothing, food, pets, bicycles, sailboards, sports equipment etc.

5. **WARNING** - UNDER NO CIRCUMSTANCES SHOULD THE MAXIMUM TECHNICAL PERMISSIBLE LADEN MASS OF THIS MOTOR CARAVAN BE EXCEEDED.  
\* Estimated  
\*\* For Optional Roof Ladder (Add 125mm length and 40mm height)

Bessacarr 599 Standard	Bessacarr 599 Option
Hi-Style 599	
Low Line	
150 MJT	150 MJT AUTO (Option)
2.3Ltr	
110kW @ 3600rpm	
380Nm @ 1500rpm	
Fiat / AL-KO Low Line Chassis	
4.70m/15'5"	
3	
4	
8.11m/26'7"	
2.38m/7'10"	
2.76m/9'1"	
3850kg	
3318kg	3335kg
532kg	515kg
3162kg	3179kg
0kg	
THREE	
209cm x 123cm/103cm / 6'10" x 4'0"/3'5"	
200cm x 133cm / 6'7" x 4'5"	

## Dealer Special Editions based on Bessacarr

Model	Bessacarr 599 Lounge Standard	Bessacarr 599 Lounge Option
Dealer		
Lowdhams	Hi-Style 599 Lounge	
Roof Profile	Low Line	
Engine	150 MJT	150 MJT AUTO (Option)
Engine Capacity	2.3Ltr	
Max Power	110kW @ 3600rpm	
Torque	380Nm @ 1500rpm	
Chassis	Fiat / AL-KO Low Line Chassis	
Wheel base	4.70m/15'5"	
Designated Passenger Seats excluding Driver	1	
Berths (sleeping positions)	4	
Overall Length (no ladder)**	8.11m/26'7"	
Overall Width (mirrors folded)	2.38m/7'10"	
Overall Height**	2.76m/9'1"	
Maximum Technical Permissible Laden Mass (A)	3500kg	
Mass in Running Order (B)	3268kg	3285kg
Maximum User Payload (A-B)	232kg	215kg
Unladen Weight	3112kg	3129kg
Essential Habitation Equipment	0kg	
Thermal Insulation Grade	THREE	
<b>Bed Sizes</b>		
Front Double	201cm x 120cm/103cm / 6'7" x 3'11"/3'5"	
Front Nearside Single		
Front Offside Single		
Rear Double	200cm x 133cm / 6'7" x 4'5"	
Rear Nearside Single		
Rear Offside Single		
Manual Drop Down Bed		

**NOTE:** 1. The **Maximum User Payload** includes:

- the **conventional load** (this is the allowance for passengers)
- essential habitation equipment** (items and fluids required for safe and proper functioning of habitation equipment)
- optional equipment** (items available from the manufacturer over and above the standard specification)
- personal effects** (those items not covered by the above)

2. The **Mass in Running Order** is the mass of the unladen vehicle including a 75kg allowance for the

driver plus engine coolants and 90% of the fuel tank and 1 x 6kg Calor Lite LPG cylinder.

3. The Mass in running order is calculated with the fresh water tank and water heater empty. If you travel with water in the fresh water tank or water heater then the payload will reduce accordingly.

4. PLEASE TAKE CARE TO ENSURE THAT YOU HAVE ALLOWED FOR THE MASSES OF ALL ITEMS YOU INTEND TO CARRY IN THE MOTOR CARAVAN, e.g. passengers, optional equipment, essential habitation equipment and personal effects, such as clothing, food, pets, bicycles, sailboards, sports equipment etc.

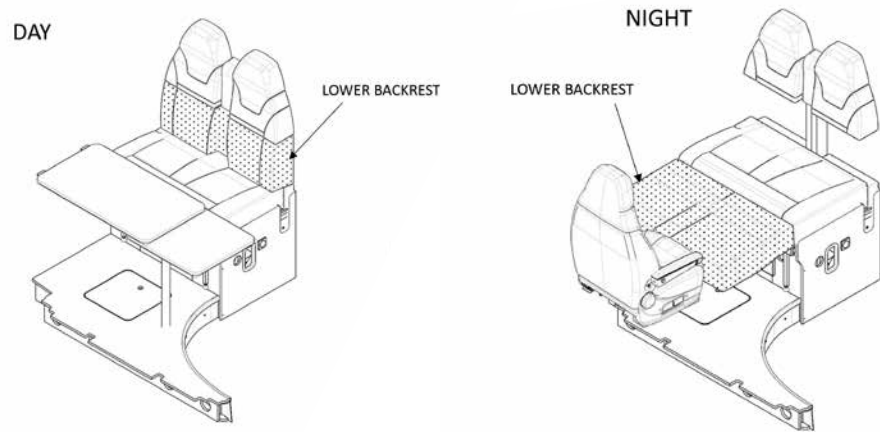
5. **WARNING** - UNDER NO CIRCUMSTANCES SHOULD THE MAXIMUM TECHNICAL PERMISSIBLE LADEN MASS OF THIS MOTOR CARAVAN BE EXCEEDED.

\* Estimated

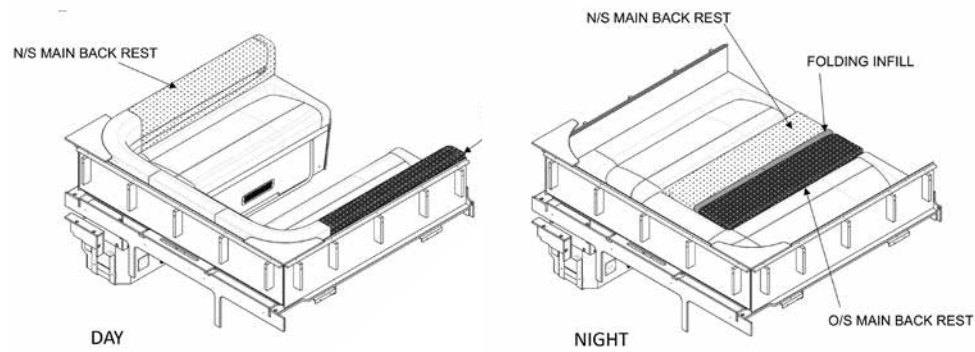
\*\* For Optional Roof Ladder  
(Add 125mm length and 40mm height)

## Escape Compact bed make up

### Bed make up in Escape Compact C205 and C402/4 front bed

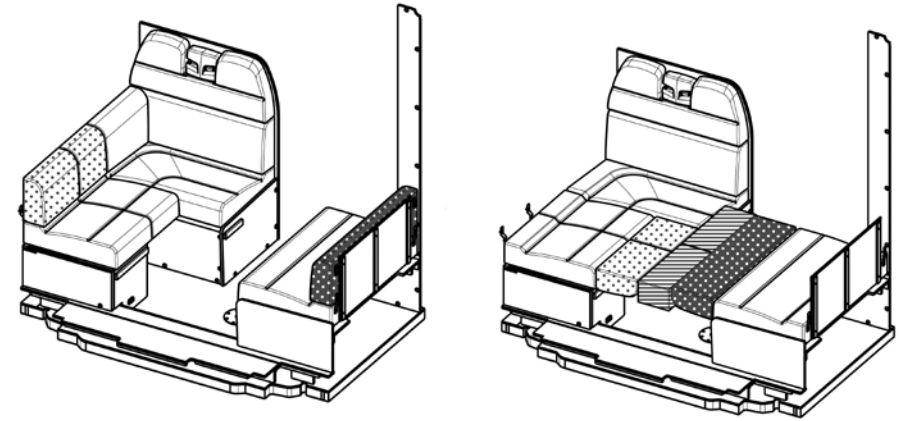


### Bed make up in Escape Compact C402/4 rear bed

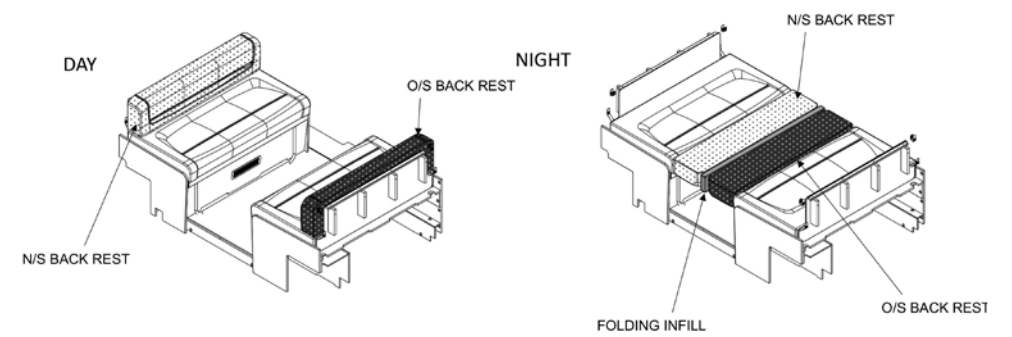


## Escape bed make up

### Bed make up in Escape 604 front bed

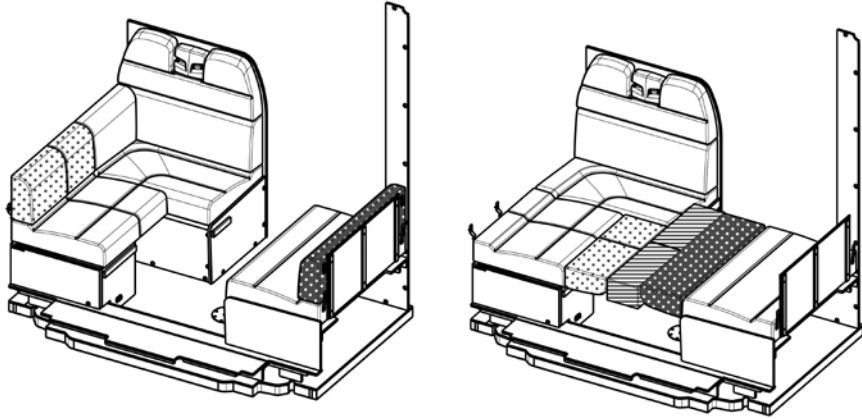


### Bed make up in Escape 612 front bed

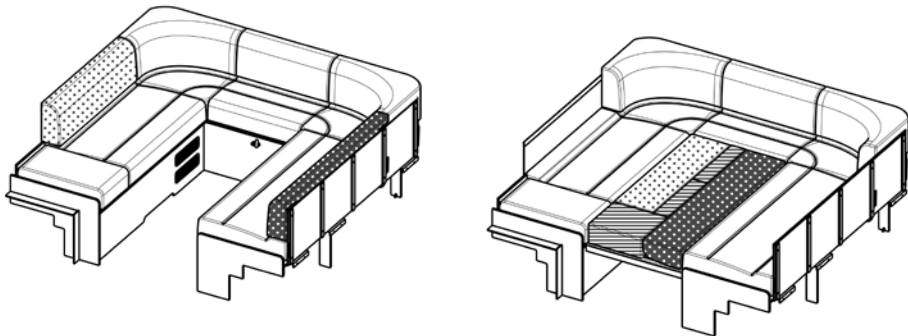


## Escape bed make up

Bed make up in Escape 614, 674, 684 and 694 front bed

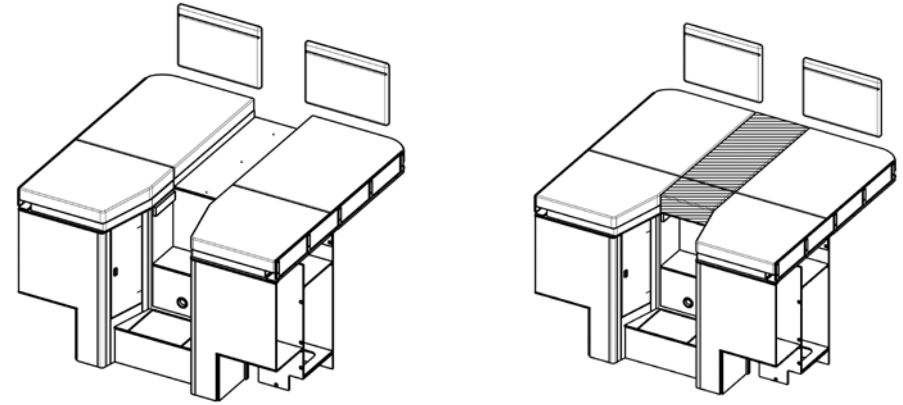


Bed make up in Escape 674 rear bed

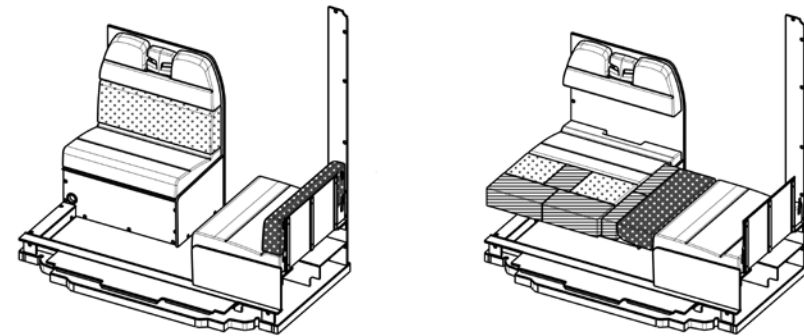


## Escape bed make up

Bed make up in Escape 684 rear bed

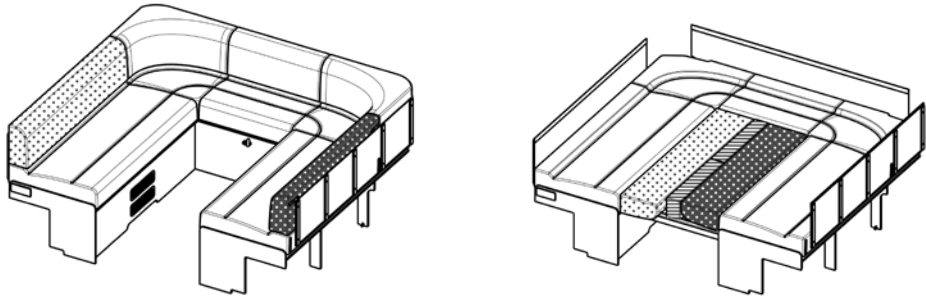


Bed make up in Escape 644 front bed



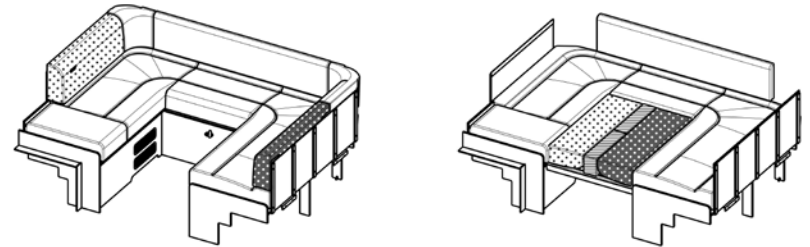
# Escape bed make up

Bed make up in Escape 622 rear bed

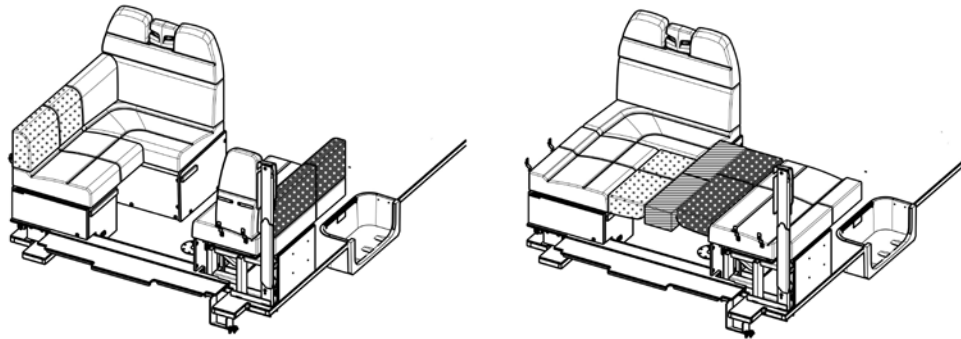


# Escape bed make up

Bed make up in Escape 685 rear bed

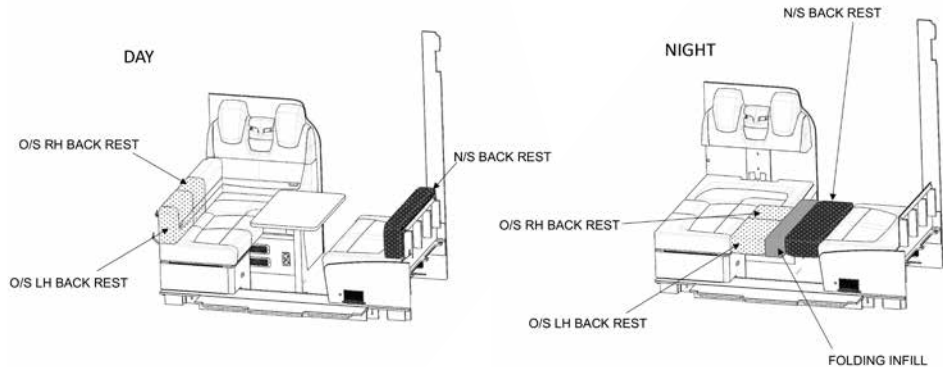


Bed make up in Escape 689 and 695 front bed

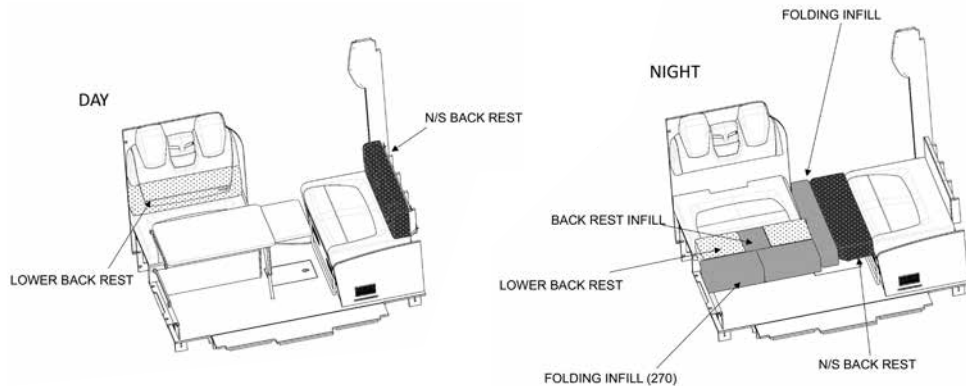


# Bessacarr bed make up

## Bed make up in Bessacarr 524 front bed

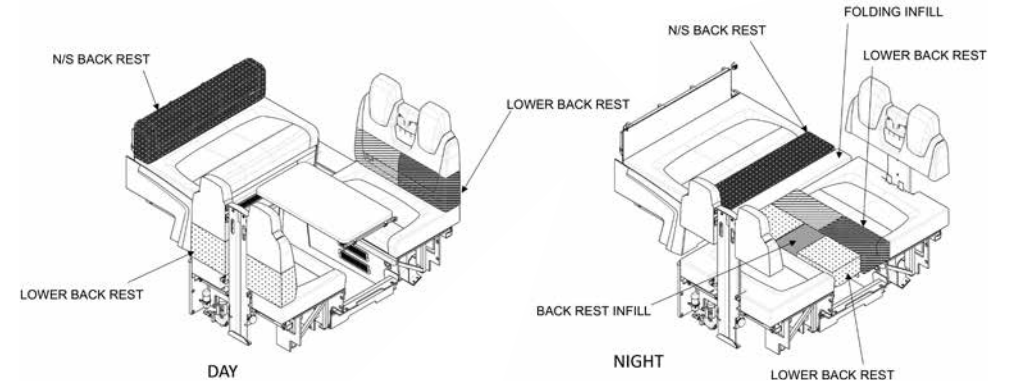


## Bed make up in Bessacarr 560, 574, 584, 597 and 599 front bed

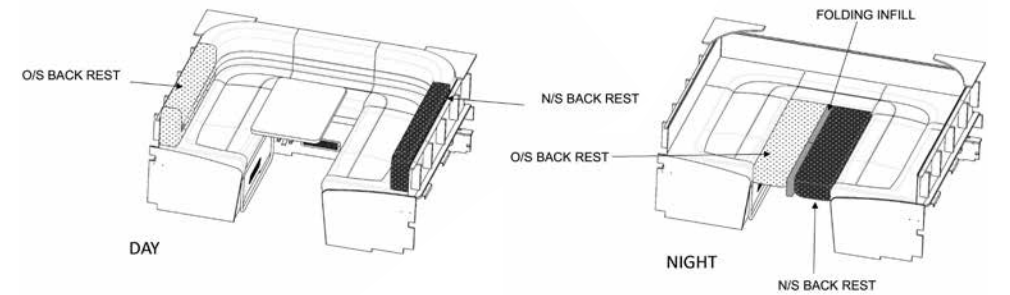


# Bessacarr bed make up

## Bed make up in Bessacarr 596 front bed

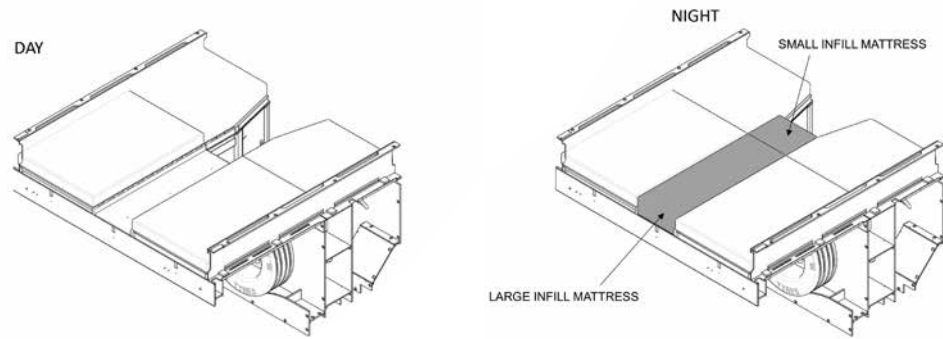


## Bed make up in Bessacarr 596 rear bed



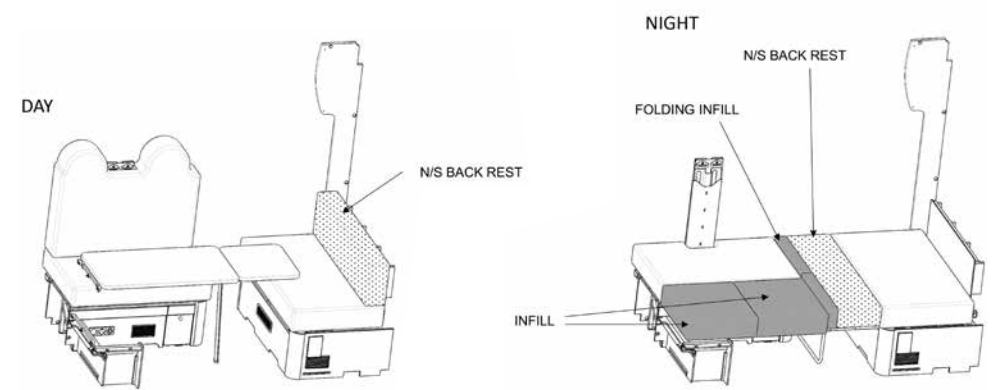
# Bessacarr bed make up

## Bed make up in Bessacarr 597 rear bed

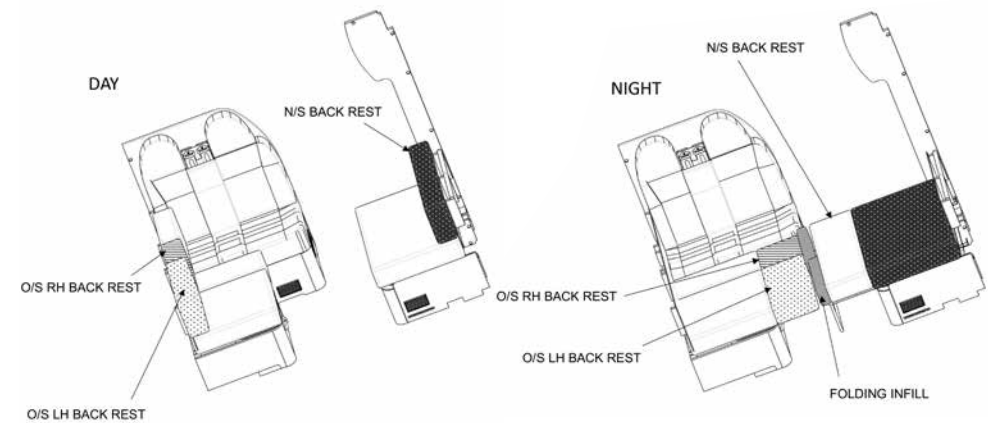


# Kon-Tiki bed make up

## Bed make up in Kon-tiki 625 front bed



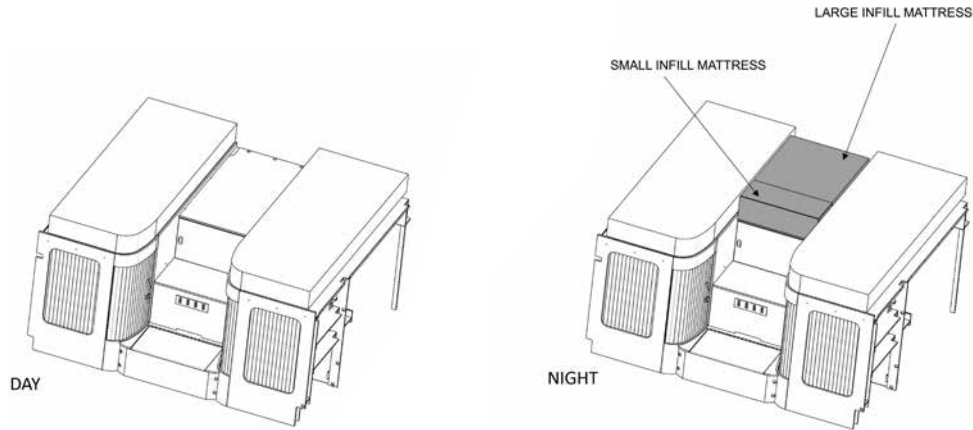
## Bed make up in Kon-tiki 635 front bed



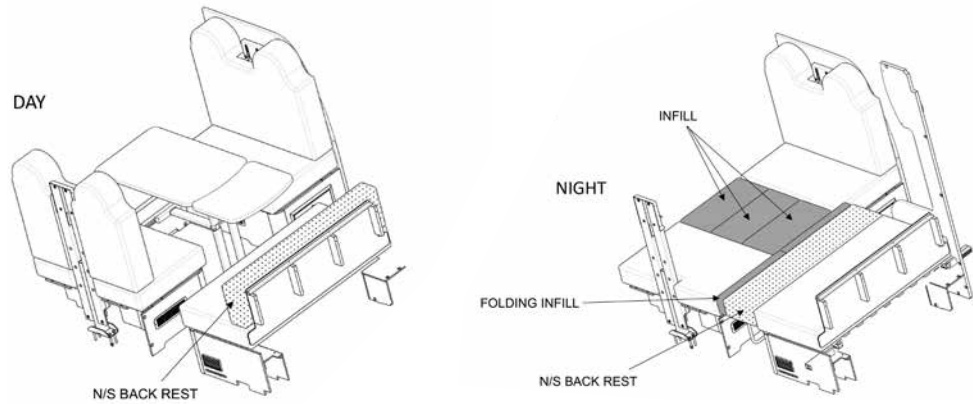


# Kon-Tiki bed make up

## Bed make up in Kon-tiki 635 rear bed

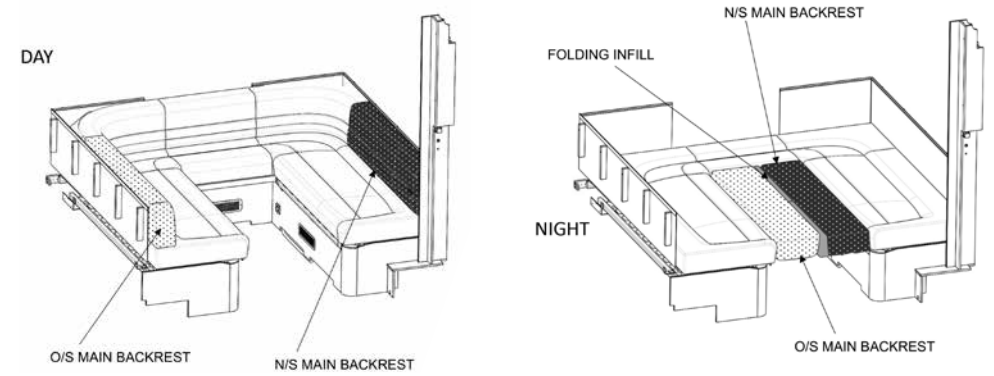


## Bed make up in Kon-tiki 649 front bed



# Kon-Tiki bed make up

## Bed make up in Kon-tiki 649 rear bed



## Bed make up in Kon-tiki 650 and 675 front bed

