

# AUTOCRUISE

2012 SPECIFICATION, WIRING DIAGRAMS & BULB CHART

---

**VAN CONVERSION RANGE**

<b>Specifications - Peugeot</b> .....	<b>1</b>
<b>Specifications - Fiat</b> .....	<b>3</b>
<b>Capacities and towing capability</b> .....	<b>5</b>
<b>Jacking points</b> .....	<b>7</b>
<b>Wiring diagrams</b> .....	<b>8</b>
<b>Bulb chart</b> .....	<b>15</b>
<b>Bulb replacement</b> .....	<b>16</b>

## SPECIFICATIONS - PEUGEOT

TECHNICAL SPECIFICATIONS	Jazz	Jazz (optional engine)
Engine Power	110HDi	130HDi
Engine Capacity	2.2L	2.2L
Chassis	Boxer 330	Boxer 330
Roof Profile	Medium Height Van	Medium Height Van
Wheel base	3.45m/11'4"	3.45m/11'4"
Designated Passenger Seats	3	3
Berths (Sleeping Position)	2	2
Overall Length	5.41m/17'9"	5.41m/17'9"
Overall Body Width	2.05m/6'9"	2.05m/6'9"
Overall Width (Mirrors Folded)	2.26m/7'5"	2.26m/7'5"
Overall Width (Mirrors Extended)	2.51m/8'3"	2.51m/8'3"
Overall Height	2.72m/8'11"	2.72m/8'11"
Maximum Technical Permissible Laden Mass (A)	3300kg	3300kg
Mass in Running Order (B) <sup>†</sup>	2817kg	2832kg
Maximum User Payload (A-B)	483kg	468kg
Unladen Weight	2583kg	2598kg
Essential Habitation Equipment	9kg	9kg
Thermal Insulation Grade	TWO	TWO
BED SIZES		
Front Double	1.90m x 1.18m/6'3" x 3'10"	1.90m x 1.18m/6'3" x 3'10"
Front Nearside Single		
Front Offside Single		
Rear Double		
Rear Nearside Single		
Rear Offside Single		
Overcab Bed		

## SPECIFICATIONS - PEUGEOT

Tempo	Rhythm	Alto	Accent
130HDi	130HDi	130HDi	130HDi
2.2L	2.2L	2.2L	2.2L
Boxer 335	Boxer 335	Boxer 335	Boxer 335
Medium Height Van	Medium Height Van	Medium Height Van	Medium Height Van
4.04m/13'3"	4.04m/13'3"	4.04m/13'3"	4.04m/13'3"
2	1	3	3
2	2	3	3
6.00m/19'8"	6.00m/19'8"	6.00m/19'8"	6.00m/19'8"
2.05m/6'9"	2.05m/6'9"	2.05m/6'9"	2.05m/6'9"
2.26m/7'5"	2.26m/7'5"	2.26m/7'5"	2.26m/7'5"
2.51m/8'3"	2.51m/8'3"	2.51m/8'3"	2.51m/8'3"
2.72m/8'11"	2.72m/8'11"	2.72m/8'11"	2.72m/8'11"
3500kg	3500kg	3500kg	3500kg
2900kg	2865kg	2906kg	2987kg
600kg	635kg	594kg	513kg
2666kg	2631kg	2672kg	2753kg
9kg	9kg	9kg	9kg
TWO	TWO	TWO	TWO
1.88m x 1.88m/6'2" x 6'2"			
1.88m x 0.64m/6'2" x 2'1"			
1.88m x 0.75m/6'2" x 2'5"		1.70m x 0.90m/5'7" x 2'11"/1'9"	1.70m x 0.90m/5'7" x 2'11"/1'9"
	1.86m x 1.88m/6'1" x 6'2"	1.88m x 1.20m/6'2" x 3'11"	1.83m x 1.35m/6'0" x 4'5"
	1.88m x 0.65m/6'2" x 2'2"		
	1.88m x 0.65m/6'2" x 2'2"		

<sup>†</sup>The Mass in Running Order is the mass of the unladen vehicle including a 75kg allowance for the driver plus engine coolants and 90% of the fuel tank, water and gas capacity.

## SPECIFICATIONS - FIAT

TECHNICAL SPECIFICATIONS	Jazz		Tempo	
	130 MJT	150 MJT	130 MJT	150 MJT
Engine Power	130 MJT	150 MJT	130 MJT	150 MJT
Engine Capacity	2.3L		2.3L	
Chassis	Ducato 33Q		Ducato 35L	
Roof Profile	Medium Height Van		Medium Height Van	
Wheel base	3.45m/11'4"		4.04m/13'3"	
Designated Passenger Seats	3		2	
Berths (Sleeping Position)	2		2	
Overall Length	5.41m/17'9"		6.00m/19'8"	
Overall Body Width	2.05m/6'9"		2.05m/6'9"	
Overall Width (Mirrors Folded)	2.26m/7'5"		2.26m/7'5"	
Overall Width (Mirrors Extended)	2.51m/8'3"		2.51m/8'3"	
Overall Height	2.72m/8'11"		2.72m/8'11"	
Maximum Technical Permissible Laden Mass (A)	3300kg		3500kg	
Mass in Running Order (B) <sup>†</sup>	2832kg	2849kg	2900kg	2917kg
Maximum User Payload (A-B)	468kg	451kg	600kg	583kg
Unladen Weight	2598kg	2615kg	2666kg	2683kg
Essential Habitation Equipment	9kg		9kg	
Thermal Insulation Grade	TWO		TWO	
<b>BED SIZES</b>				
Front Double	1.90m x 1.18m/6'3" x 3'10"		1.90m x 1.18m/6'3" x 3'10"	
Front Nearside Single				
Front Offside Single				
Rear Double				
Rear Nearside Single				
Rear Offside Single				
Overcab Bed				

<sup>†</sup>The Mass in Running Order is the mass of the unladen vehicle including a 75kg allowance for the driver plus engine coolants and 90% of the fuel tank, water and gas capacity.

## SPECIFICATIONS - FIAT

Rhythm	Alto		Accent		
	130 MJT	150 MJT	130 MJT	150 MJT	
130 MJT	150 MJT	130 MJT	150 MJT	130 MJT	150 MJT
2.3L		2.3L		2.3L	
Ducato 35L		Ducato 35L		Ducato 35L	
Medium Height Van		Medium Height Van		Medium Height Van	
4.04m/13'3"		4.04m/13'3"		4.04m/13'3"	
1		3		3	
2		3		3	
6.00m/19'8"		6.00m/19'8"		6.00m/19'8"	
2.05m/6'9"		2.05m/6'9"		2.05m/6'9"	
2.26m/7'5"		2.26m/7'5"		2.26m/7'5"	
2.51m/8'3"		2.51m/8'3"		2.51m/8'3"	
2.72m/8'11"		2.72m/8'11"		2.72m/8'11"	
3500kg		3500kg		3500kg	
2865kg	2882kg	2906kg	2923kg	2987kg	3004kg
635kg	618kg	594kg	577kg	513kg	496kg
2631kg	2648kg	2672kg	2689kg	2753kg	2770kg
9kg		9kg		9kg	
TWO		TWO		TWO	
		1.70m x 0.90m/0.54m/5'7" x 2'11" / 1'9"		1.70m x 0.90m/0.54m/5'7" x 2'11" / 1'9"	
1.86m x 1.88m/6'1" x 6'2"		1.88m x 1.20m/6'2" x 3'11"		1.83m x 1.35m/6'0" x 4'5"	
1.88m x 0.65m/6'2" x 2'2"					
1.88m x 0.65m/6'2" x 2'2"					

## CAPACITIES AND TOWING CAPABILITY

TANK SPECIFICATIONS	Jazz	Tempo	Rhythm
Fresh Water Tank	66L	66L	66L
Waste Water Tank	50L	50L	50L
Water Heater	10L	10L	10L
Gas Locker Capacity	2x7kg	2x7kg	1x13kg

Alto	Accent
66L	66L
50L	50L
10L	10L
2x7kg	2x7kg

**Notice**

For technical data on the base vehicle please refer to manufacturer's handbook

TOWING CAPABILITIES	Jazz	Tempo	Rhythm
Engine	110/130/150	130/150	130/150
MTPLM	3300kg	3500kg	3500kg
Permissible Front Axle Load	1750kg	1850kg	1850kg
Permissible Rear Axle Load	1900kg	2000kg	2000kg
Recommended Maximum Trailer Weight	2500kg	2500kg	2500kg
Gross Train Weight	5800kg	6000kg	6000kg

Alto	Accent
130/150	130/150
3500kg	3500kg
1850kg	1850kg
2000kg	2000kg
2500kg	2500kg
6000kg	6000kg

To ensure adequate road holding, the load on the front axle, under all conditions, must not be less than 40% or more than 70% of the total weight.

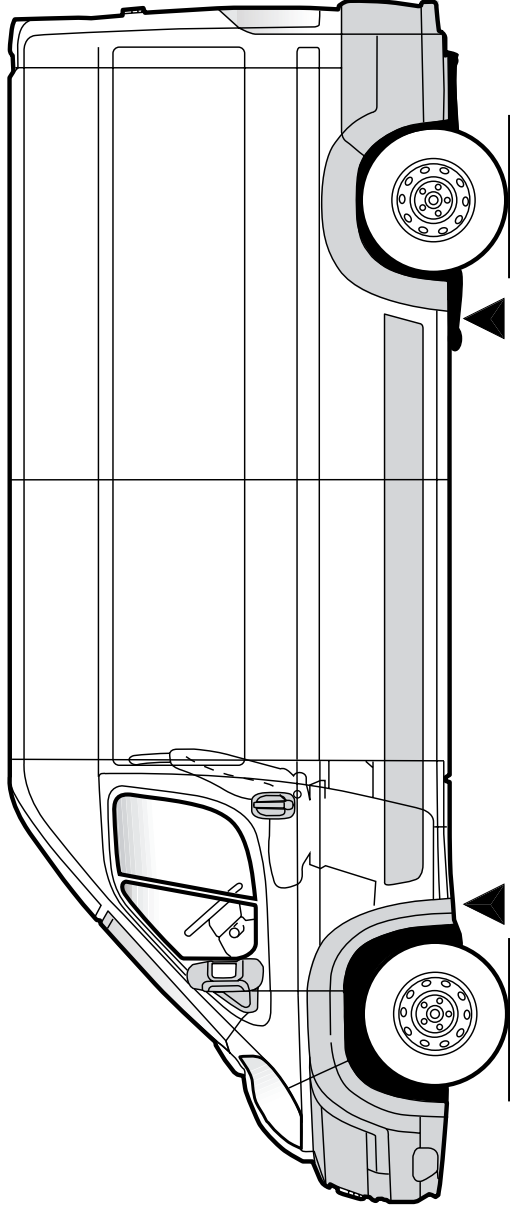
Care must be taken when distributing loads. The loadings above are maximum loadings and must not be exceeded under any circumstances.

For spare wheel removal please refer to Peugeot handbook.

**CAUTION:**

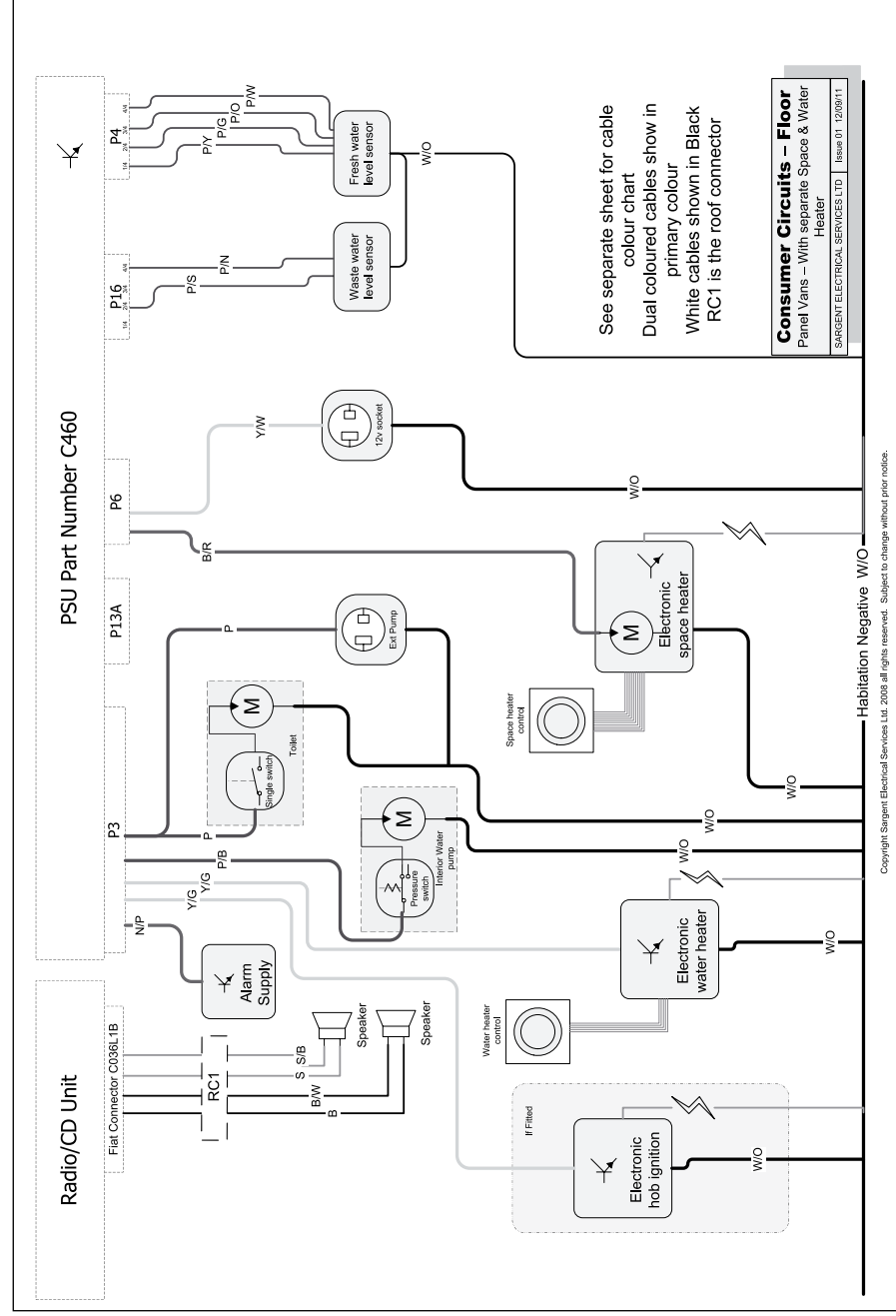
When fitting a towbar, it must meet certain minimum requirements as specified by Type Approval Regulations. The bar will have marked on it the approval standard (94/20/EC) and the maximum download, or noseweight, that it can accept. It must fit the manufacturer's approved mounting points and must not obscure the towing vehicle's number plate.

JACKING POINTS

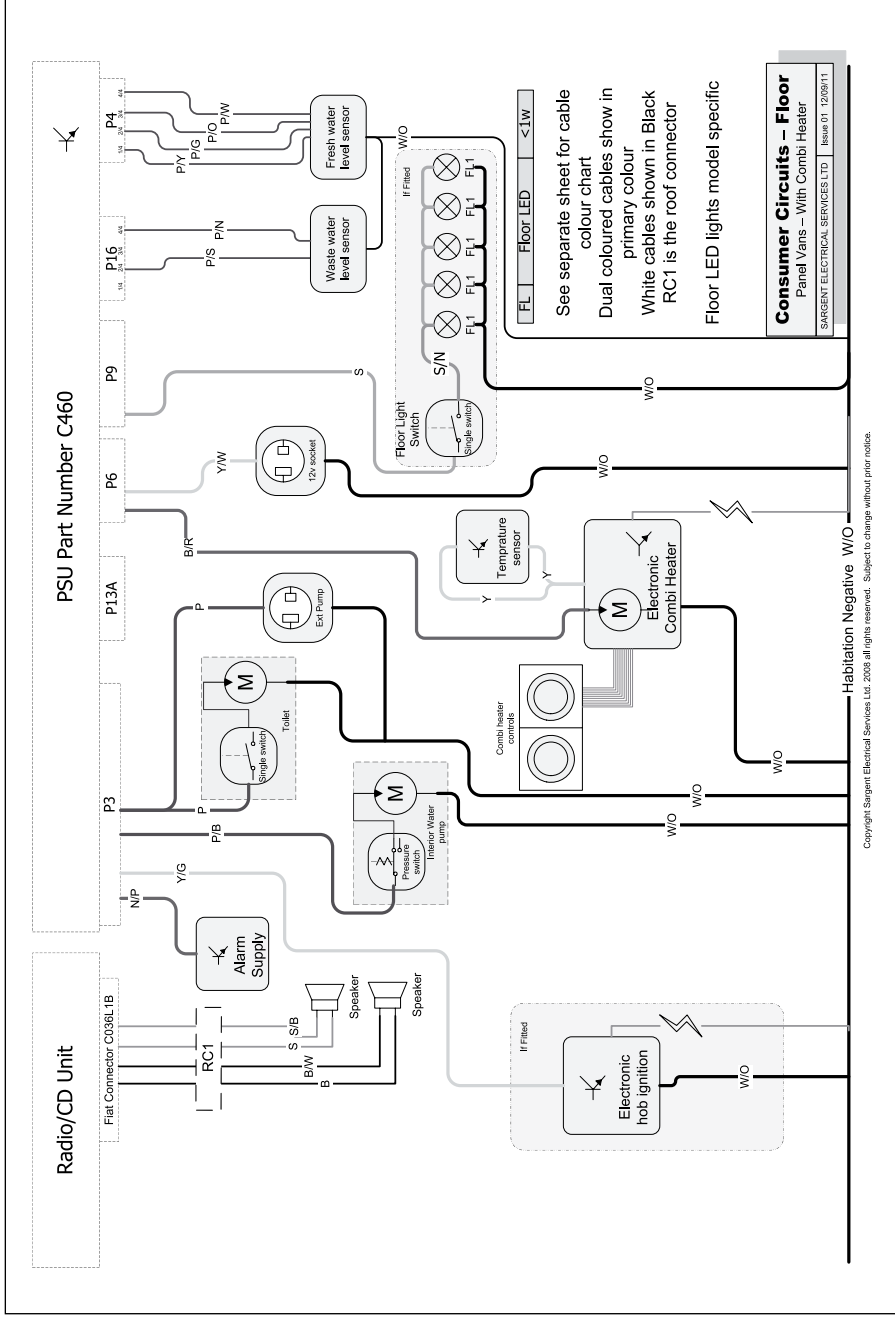


Jacking Points: ▲

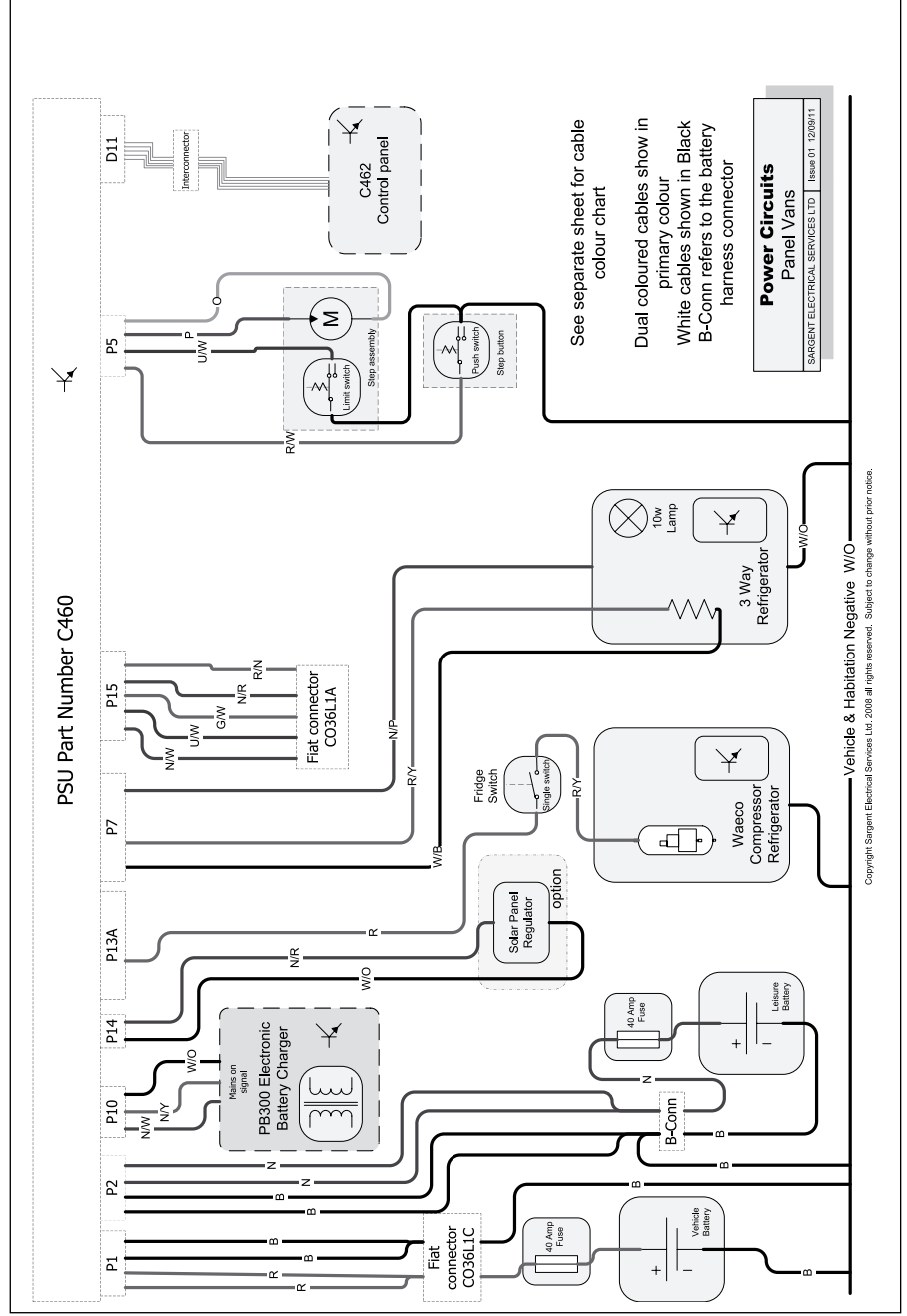
CONSUMER FLOOR CIRCUITS WITH SEPARATE SPACE AND WATER HEATER



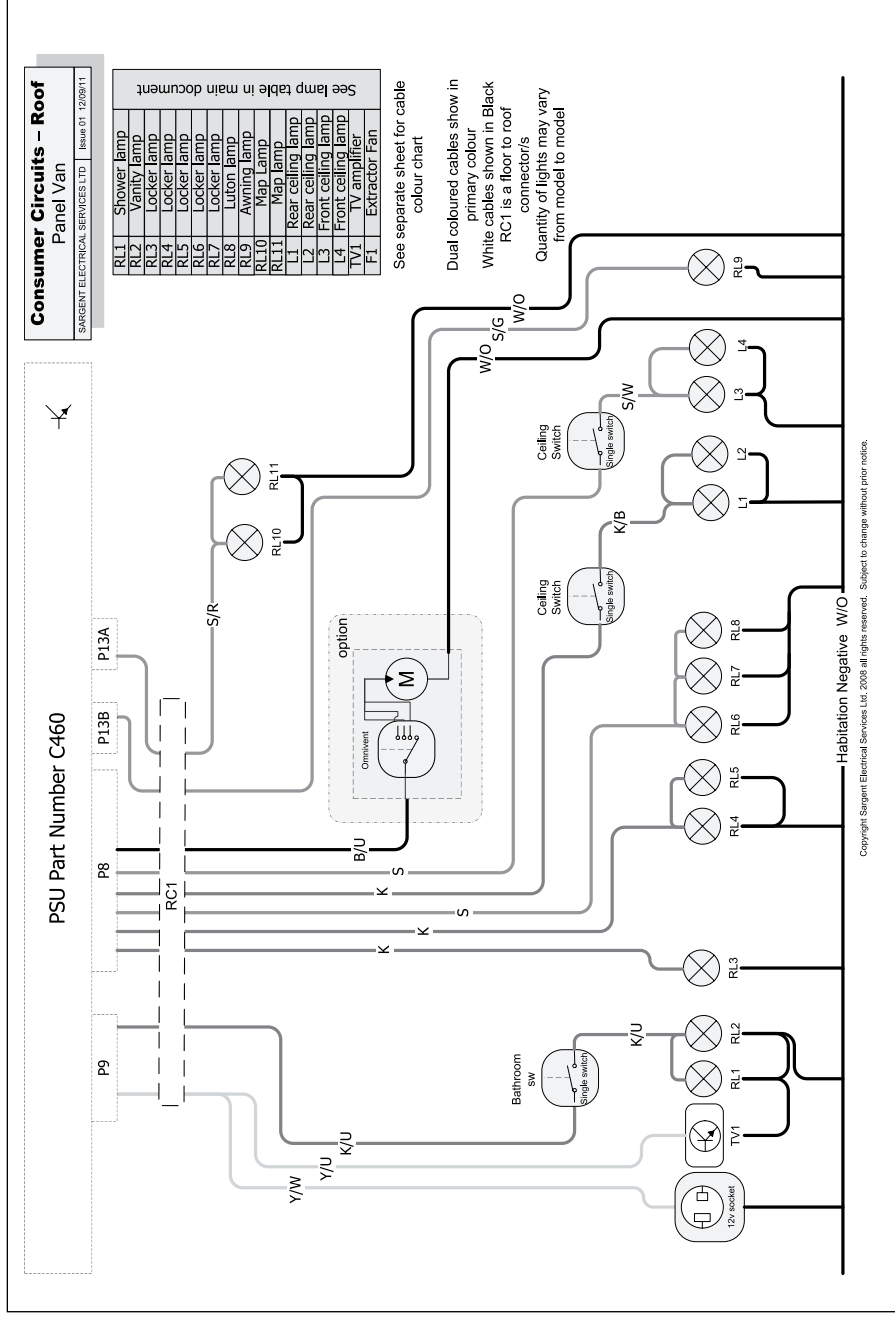
CONSUMER CIRCUITS FLOOR WITH COMBI HEATER



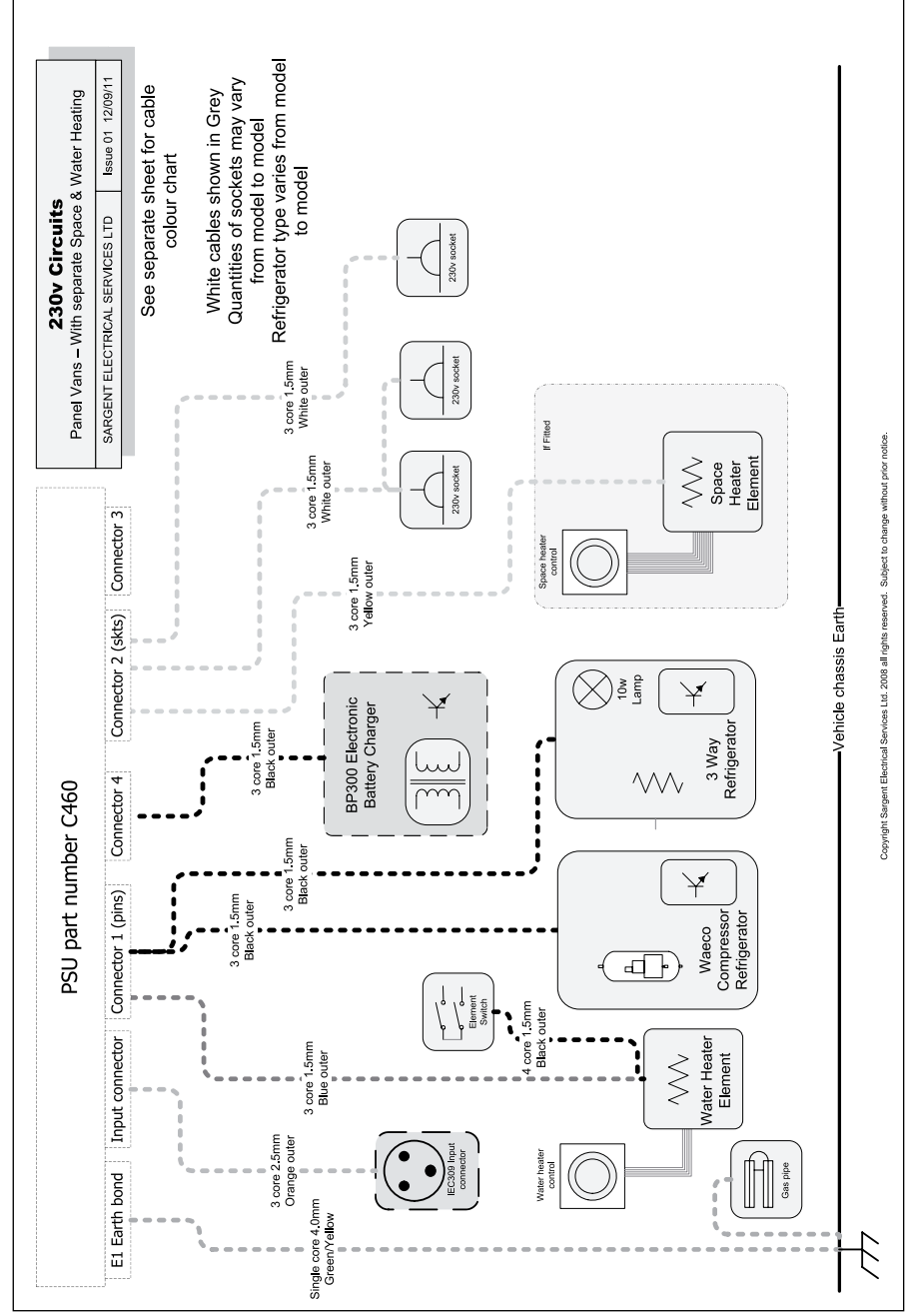
POWER CIRCUITS



CONSUMER CIRCUITS ROOF

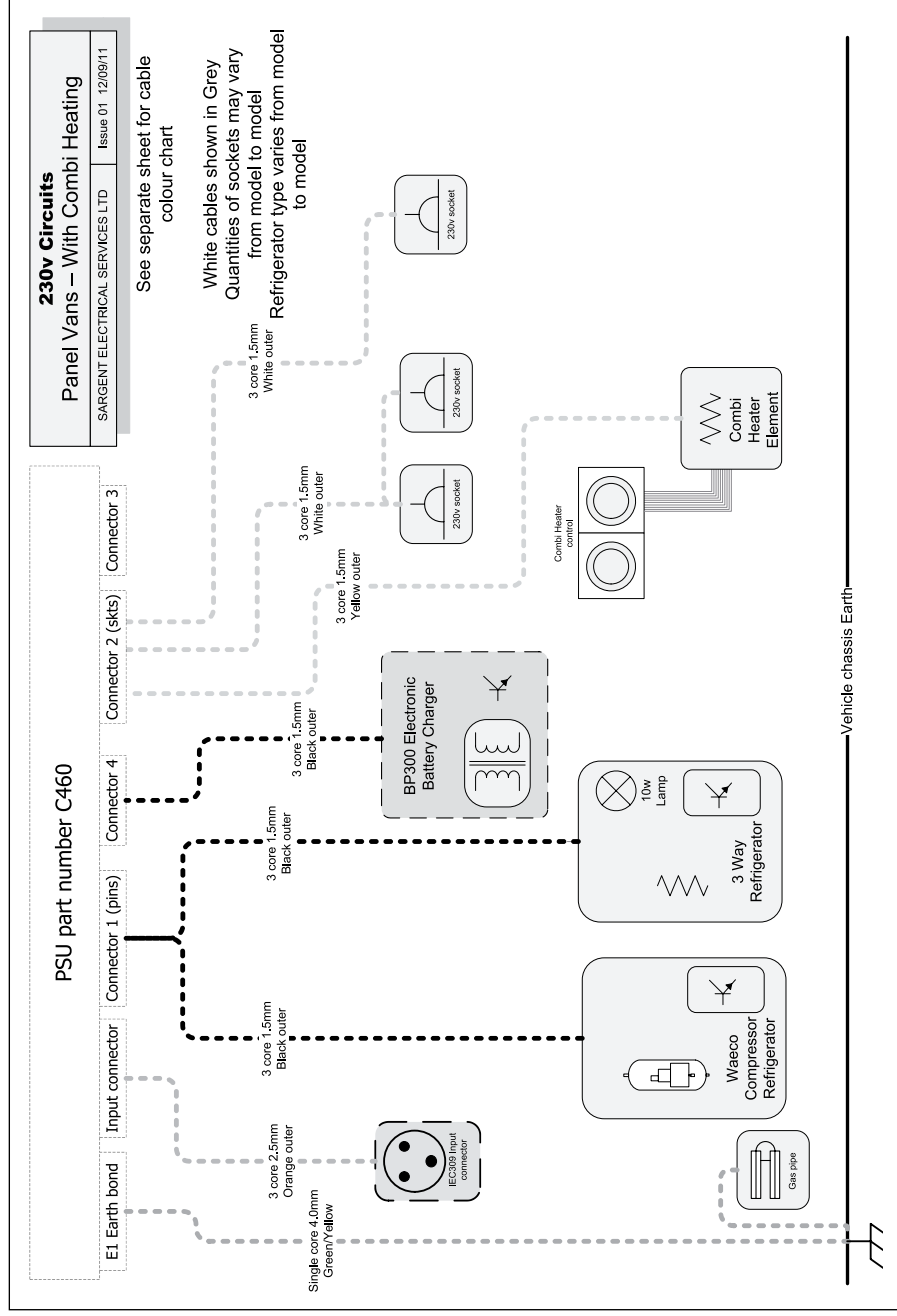


230V CIRCUITS WITH SEPARATE SPACE AND WATER HEATER





230V CIRCUITS WITH COMBI BOILER



CABLE COLOUR CHART

**Y/U** Example Yellow cable with Blue stripe

**Cable Colour Chart**  
Swift Group 2009  
SARGENT ELECTRICAL SERVICES LTD Issue 01 01/09/08

**12v Cable Colours**

B	BLACK
N	BROWN
R	RED
O	ORANGE
Y	YELLOW
G	GREEN
U	BLUE
P	PURPLE
S	SLATE GREY
W	WHITE
K	PINK

**230v Cable Colours**

B	BLACK
N	BROWN
W	WHITE
O	ORANGE
Y	YELLOW
G	GREEN
U	BLUE

Copyright Sargent Electrical Services Ltd. 2008 all rights reserved. Subject to change without prior notice.

## BULB CHART

## ROAD LIGHTS

See Fiat or Peugeot manual

## INTERIOR LIGHTS

## BULB REFERENCE

## BULB RATING

Locker spotlights, LED	FEM0854 complete lamp	12v LED
B-pillar map reading lamps	Complete lamp on 'swan neck' flexible arm	12v LED
Walkway single LED lights	FEM0442 SLED illuminator	12v LED
Awning lamp, LED	500mm LED complete unit	12v 2.2W LED
Ceiling light, round, recessed	FEM0857 LED complete lamp	12V LED
Bathroom downlighter, Chrome	Halogen capsule bulb	GU4 12v 5W

**NOTE:** Not all lights feature on all models within a range

## BULB REPLACEMENT

## Road Lighting, Panel van rear light cluster access

### Road lighting, front of vehicle

Please see the information contained within the Fiat or Peugeot handbook for details of access to headlight or side repeater bulbs.

### Rear road light clusters

Bulb access is from the rear of the cluster. Please see the Fiat handbook for specific details of the clusters and individual lights contained within them.

The rear road light clusters are secured to the rear of the motorhome via nuts located on the rear of the cluster. To access these fixing nuts, an internal panel must be removed.

Two angled panels can be found at the rear of the motorhome, close to the rear door hinges. In the upper sections of these panels, a removable section exists (the removable panel may also house remote thermostats, light switches etc).

To remove the panel, first locate two screw cover caps at the top and bottom of the panel, using a flat bladed screwdriver or similar. Removing the screws will then allow the panel to be pulled away from the corner of the vehicle, exposing a void with access to the rear of the lamp clusters.

Reverse the procedure and push fit the screw cover caps back into place once complete.

---

Swift Group Ltd, Dunswell Road, Cottingham, East Yorkshire, HU16 4JX  
Tel: 01482 875740 Fax: 01482 840082 Email: [enquiry@swiftgroup.co.uk](mailto:enquiry@swiftgroup.co.uk)

[www.swiftgroup.co.uk](http://www.swiftgroup.co.uk)