



2021 Coachbuilt Motorhomes Technical Handbook Addendum

Please see the updated details for 2021 season below:

Pages	Description
3-10 (in add.)	Specifications - Edge 466 details added. See Fig. 2
12	Towing capabilities - Edge 466 details added. See Fig. 3
39	Escape Compact and Escape 604 have a 50 litre waste water tank. See Fig. 1
138	Edge 466 shares bed make up with 486
139	Escape C205 and C402 front bed make up deleted
140	Escape C205 and C402 front bed make up deleted
143	Escape 644 front bed make up changed to Escape 664
99-107	For updated schematics, see Fig. 4 -12 Please note: Edge 'Consumer Circuits - Floor' schematic remains unchanged

Please note: When a water tank capacity table is shown, the following note is applicable:

Tank capacity is based on the vehicle being level. Quoted volumes are subject to some deviation due to manufacturing tolerances.

Please note: Edge 412, Escape Compact 402, Escape 612, Escape 622, Kon-Tiki Sport 524 and Kon-Tiki Sport 562 have been discontinued

Fig. 1 - Water tank capacities

	Fresh Water Tank	Waste Water Tank	Water Heater
Escape Compact	100 litre	50 litre	10 litre
Escape (all models except 604)	100 litre	68 litre	10 litre
Escape 604	100 litre	50 litre	10 litre

Fig. 2 Edge Technical Data

Model	Edge 466 Standard	Edge 466 Optional	Edge 466 Optional
Roof Profile	High-Line		
Engine	120 MJT	140 MJT	140 MJT Auto
Engine Capacity	2.3ltr		
Max Power	120 HP @ 2750rpm	140 HP @ 3500rpm	140 HP @ 3500rpm
Torque	320 Nm @ 1400rpm	350 Nm @ 1400rpm	350 Nm @ 1400rpm
Chassis	LWB Fiat Chassis		
Wheel base	4.04m / 13'3"		
Designated Passenger Seats (excluding Driver)	5		
Berths (sleeping positions)	6		
Overall Length (no ladder)	7.32m / 24'0"		
Overall Width (mirrors folded)	2.39m / 7'10"		
Overall Height	2.98m / 9'9"		
Maximum Technical Permissible Laden Mass (A)	3500kg	3500kg	3650kg
Mass in Running Order (B)	2991kg Est	2991kg Est	3024kg Est
Maximum User Payload (A-B)	509kg Est	509kg Est	626kg Est
Unladen Weight	2861kg Est	2861kg Est	2894kg Est
Essential Habitation Equipment	0kg		
Thermal Insulation Grade	THREE		
Bed Sizes			
Front Double	215cm x 180cm x 121cm / 7'1" x 5'11" x 4'0"		
Front Nearside Single			
Front Offside Single			
Rear Double			
Rear Nearside Single			
Rear Offside Single			
Rear Bunk (Upper)	204cm x 85cm / 6'8" x 2'9" Est		
Rear Bunk (Lower)	204cm x 85cm / 6'8" x 2'9" Est		
Front Drop Down Bed	190cm x 134cm / 6'3" x 4'5"		

Fig. 3 Edge 466 Towing Capabilities

Model	MTPLM	Permissible Front Axle Load	Permissible Rear Axle Load	Recommended Maximum Trailer Weight	Gross Train Weight
EDGE 466	3500kg	1850kg	2000kg	N/A	3500kg

Fig. 4 Road Lighting Circuits

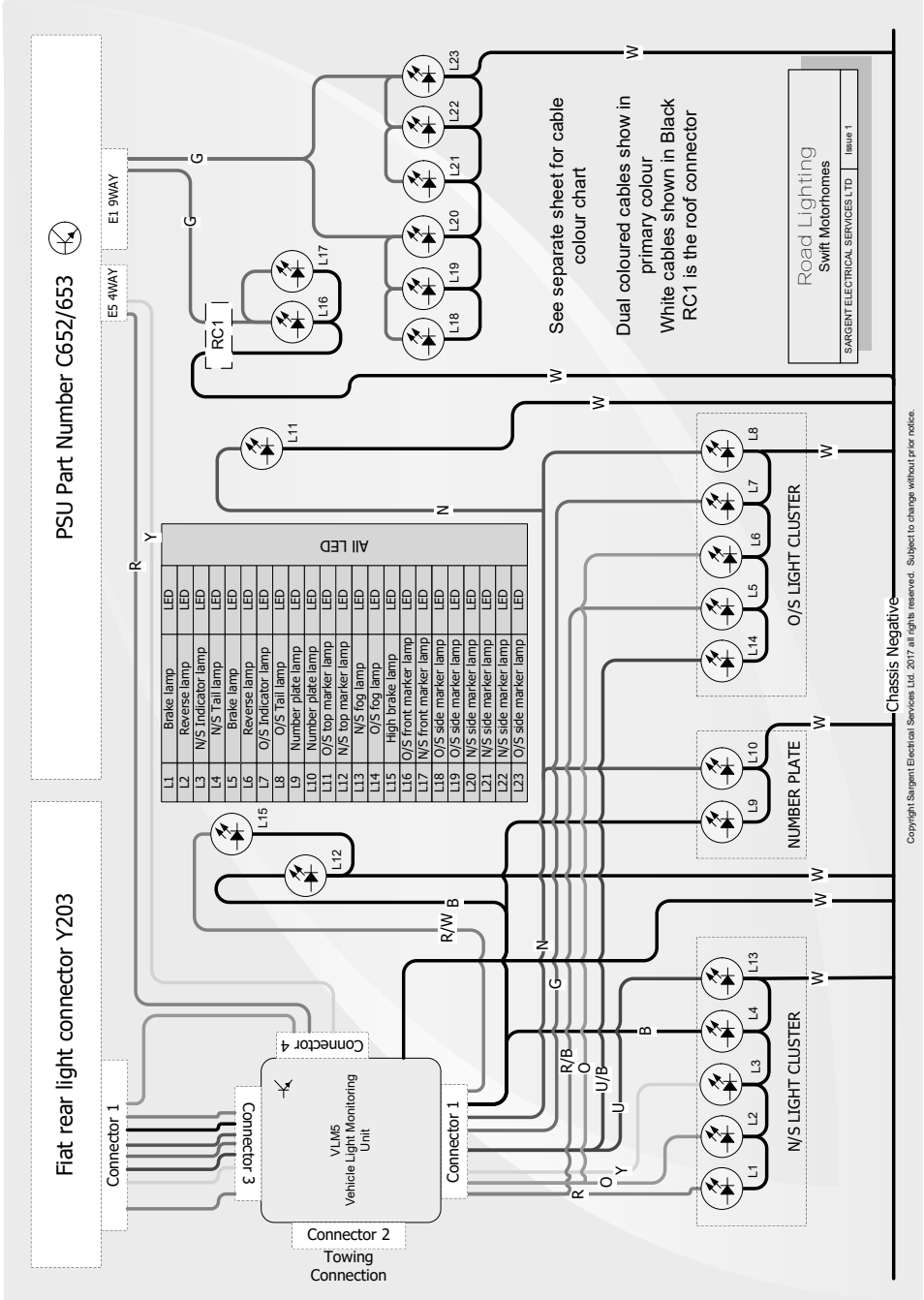


Fig. 5 Consumer Circuits - Floor (Kon-Tiki Sport)

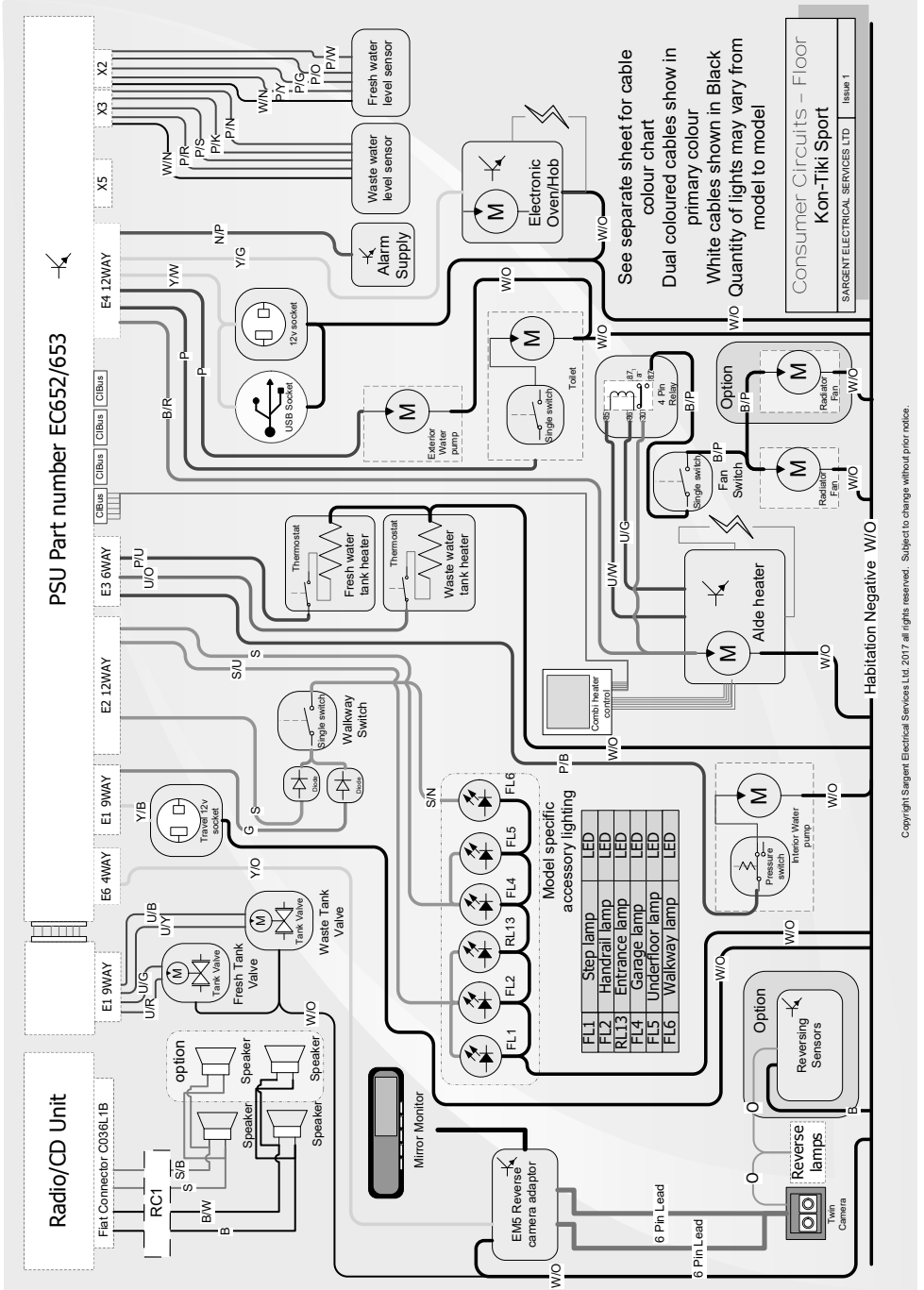


Fig. 8 Power Circuits

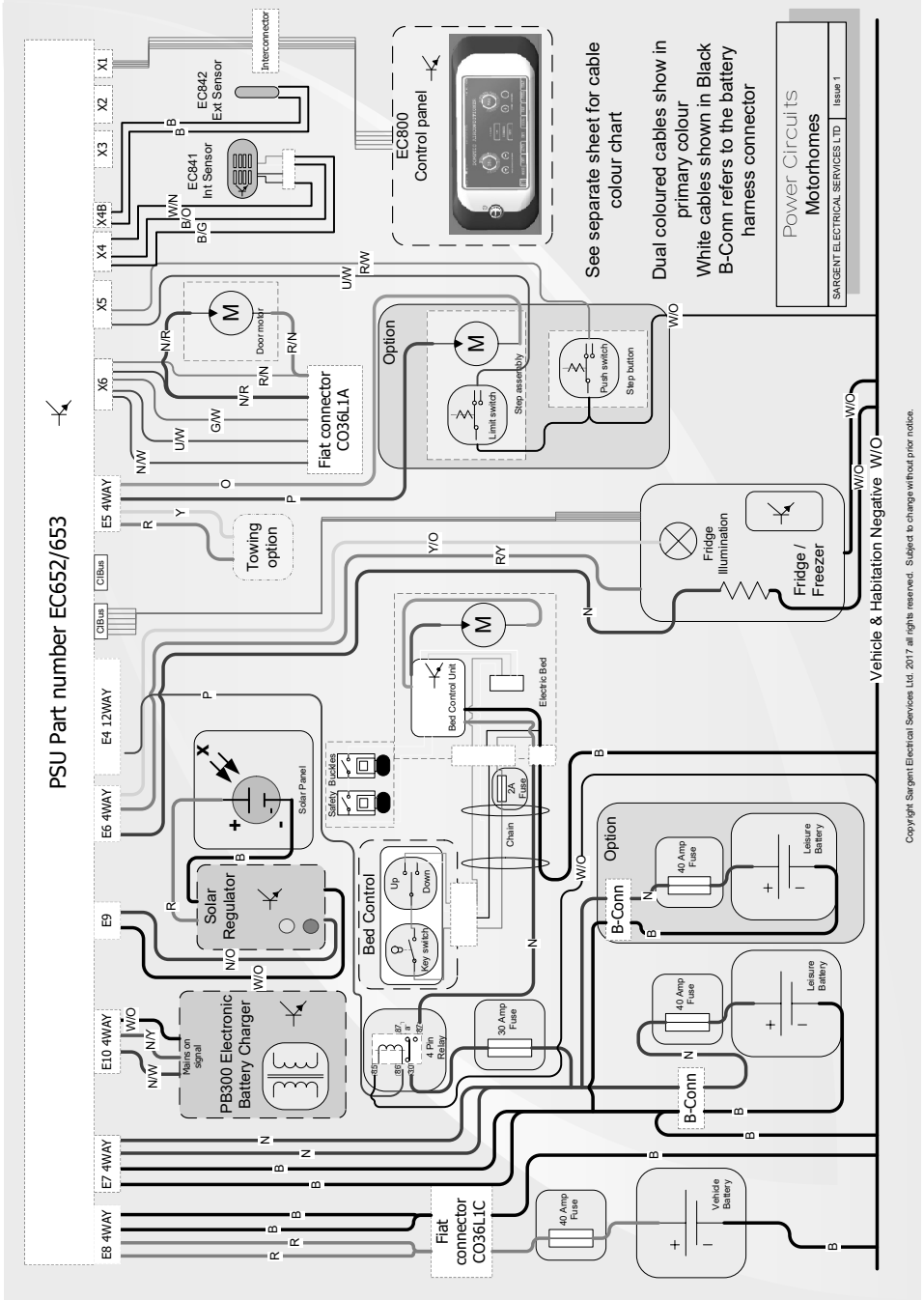
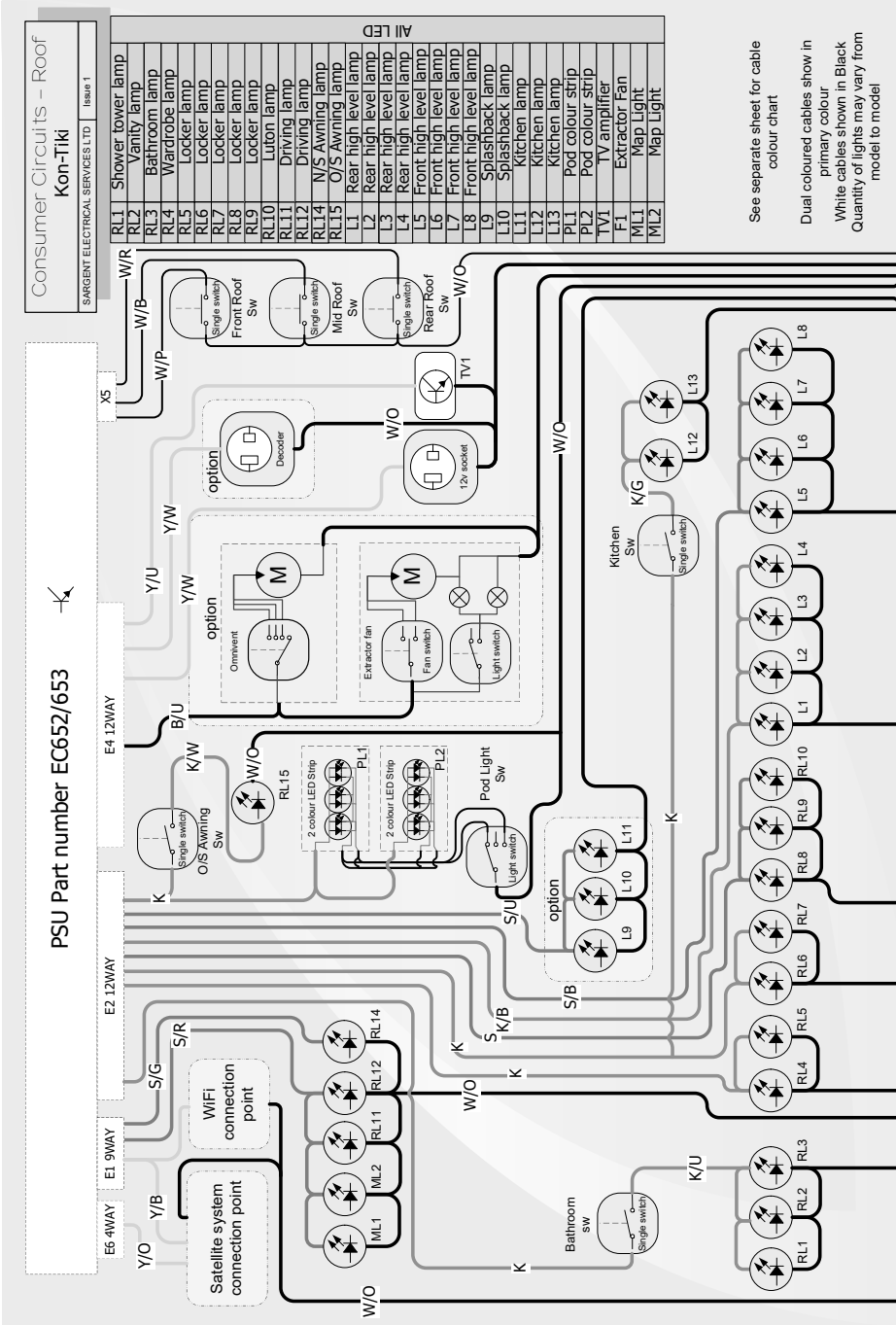


Fig. 9 Consumer Circuits - Roof (Kon-Tiki)



Habitation Negative W/O

Fig. 10 Consumer Circuits - Roof (Escape Compact, Escape & Kon-Tiki Sport)

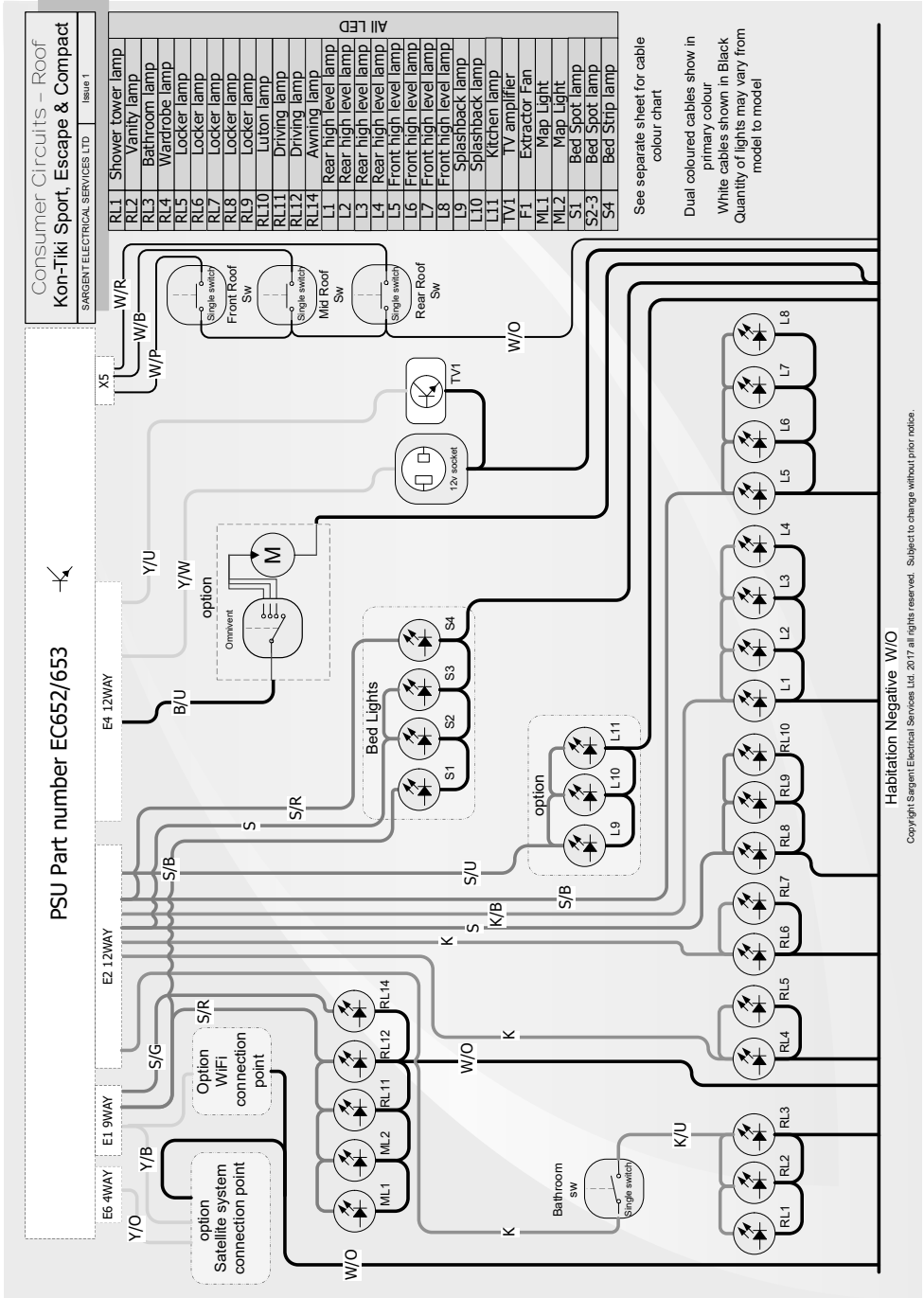
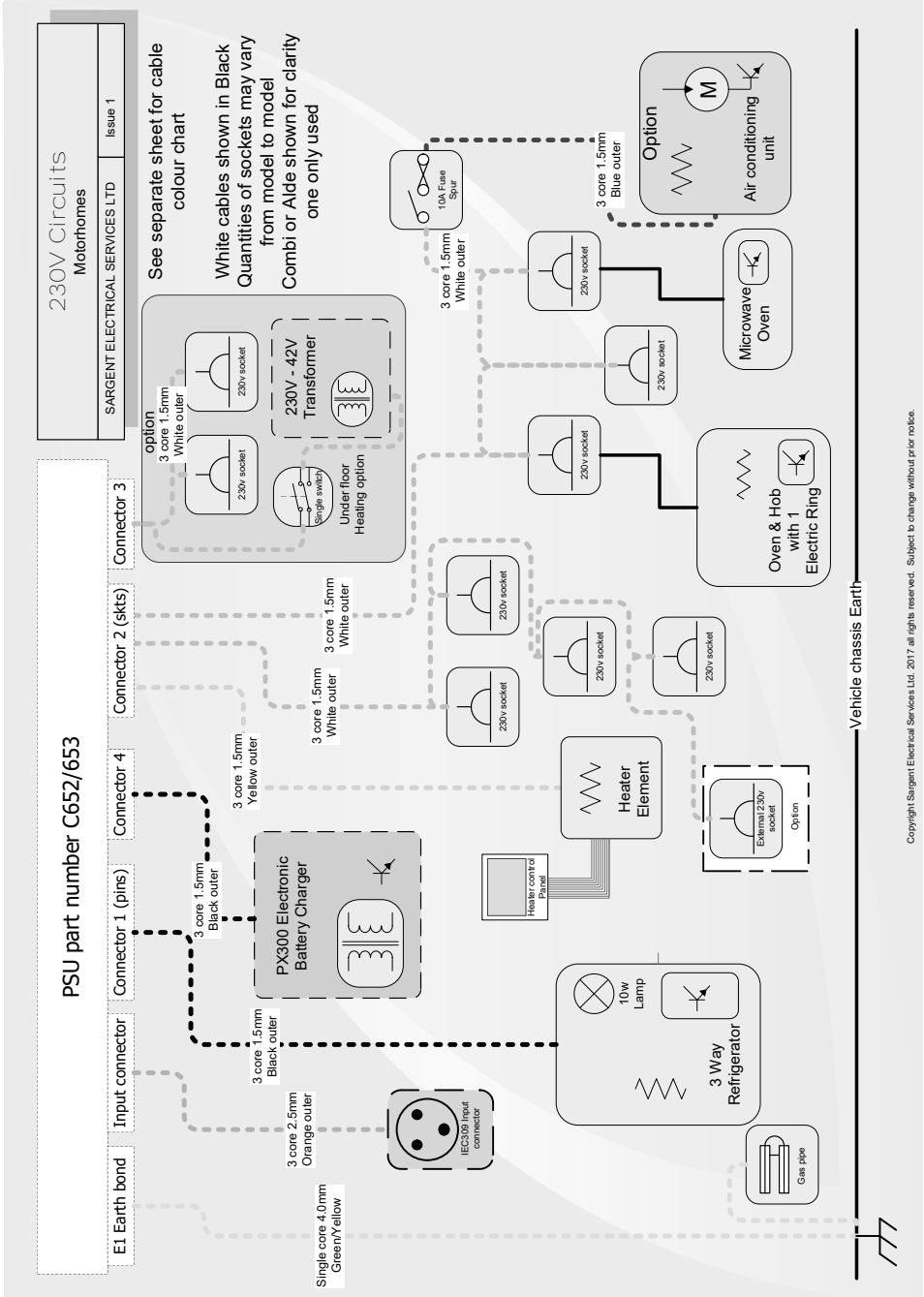


Fig. 11 230V Circuits



230V Circuits
Motorhomes
SARGENT ELECTRICAL SERVICES LTD
Issue 1

See separate sheet for cable colour chart

White cables shown in Black
Quantities of sockets may vary from model to model
Combi or Aide shown for clarity one only used

Vehicle chassis Earth

Fig. 12 Cable Colour Chart

Example



Y/U

Yellow cable with Blue stripe

Cable Colour Chart	
Swift Group	
SARGENT ELECTRICAL SERVICES LTD	Issue 1

12v Cable Colours

B	BLACK
N	BROWN
R	RED
O	ORANGE
Y	YELLOW
G	GREEN
U	BLUE
P	PURPLE
S	SLATE GREY
W	WHITE
K	PINK

230v Cable Colours

B	BLACK
N	BROWN
W	WHITE
O	ORANGE
Y	YELLOW
G	GREEN
U	BLUE

CREATING SMILES FOR LIFE



SWIFT

Swift Group Technical Handbook

Coachbuilt Motorhomes

Issued September 2019

Part No. 1435154

Edge Specifications	4
Edge Capacities	11
Edge Towing Capabilities	12
Edge Jacking Points	13
Escape Compact Specifications	15
Escape Specifications	21
Escape Capacities	39
Escape Towing Capabilities	40
Escape Jacking Points	41
Kon-Tiki Sport Specifications	43
Kon-Tiki Sport Capacities	69
Kon-Tiki Sport Towing Capabilities	70
Kon-Tiki Sport Jacking Points	71
Kon-Tiki Specifications	73
Kon-Tiki Capacities	93
Kon-Tiki Towing Capabilities	95
Kon-Tiki Jacking Points	97
Escape, Escape Compact, Kon-Tiki Sport and Kon-Tiki Wiring Diagrams	99
Bulb Replacement.....	108
Dealer Special Editions based on Edge	109
Dealer Special Editions based on Escape Compact	115
Dealer Special Editions based on Escape	119
Dealer Special Editions based on Kon-Tiki Sport	127
Bed make up directions	137

Edge Specifications

Model	Edge 412 Standard	Edge 412 Optional	Edge 412 Optional
Roof Profile	Low Line		
Engine	120 MJT	140 MJT	140 MJT Auto
Engine Capacity	2.3ltr		
Max Power	120 HP @ 2750rpm	140 HP @ 3500rpm	140 HP @ 3500rpm
Torque	320 Nm @ 1400rpm	350 Nm @ 1400rpm	350 Nm @ 1400rpm
Chassis	SWB Fiat Chassis		
Wheel base	3.00m / 9'10"		
Designated Passenger Seats (excluding Driver)	1		
Berths (sleeping positions)	2		
Overall Length (no ladder)	5.89m / 19'4"		
Overall Width (mirrors folded)	2.39m / 7'10"		
Overall Height	2.89m / 9'6"		
Maximum Technical Permissible Laden Mass (A)	3300kg		
Mass in Running Order (B)	2767kg	2767kg	2800kg
Maximum User Payload (A-B)	533kg	533kg	500kg
Unladen Weight	2637kg Est	2637kg Est	2670kg Est
Essential Habitation Equipment	0kg		
Thermal Insulation Grade	THREE		
Bed Sizes			
Front Double	214cm x 130cm / 7'0" x 4'3"		
Front Nearside Single	188cm x 72cm / 6'2" x 2'4"		
Front Offside Single	188cm x 72cm / 6'2" x 2'4"		
Rear Double			
Rear Nearside Single			
Rear Offside Single			
Rear Bunk (Upper)			
Rear Bunk (Lower)			
Front Drop Down Bed			

NOTE: 1. The Maximum User Payload includes:

- the **conventional load** (this is the allowance for passengers)
- essential habitation equipment** (items and fluids required for safe and proper functioning of habitation equipment)
- optional equipment** (items available from the manufacturer over and above the standard specification)
- personal effects** (those items not covered by the above)

2. The **Mass in Running Order** is the mass of the unladen vehicle including a 75kg allowance for the driver plus engine coolants and 90% of the fuel tank and 1 x 6kg Calor Lite cylinder.

3. The MRO is calculated with the fresh water tank empty. If you travel with water in the fresh water tank then the payload will reduce accordingly.

4. PLEASE TAKE CARE TO ENSURE THAT YOU HAVE ALLOWED FOR THE MASSES OF ALL ITEMS YOU INTEND TO CARRY IN THE MOTOR CARAVAN, e.g. passengers, optional equipment, essential habitation equipment and personal effects, such as clothing, food, pets, bicycles, sailboards, sports equipment etc.

5. **WARNING - UNDER NO CIRCUMSTANCES SHOULD THE MAXIMUM TECHNICAL PERMISSIBLE LADEN MASS OF THIS MOTOR CARAVAN BE EXCEEDED.**

Est = Estimated

Edge 464 Standard	Edge 464 Optional	Edge 464 Optional
Low Line		
120 MJT	140 MJT	140 MJT Auto
2.3ltr		
120 HP @ 2750rpm	140 HP @ 3500rpm	140 HP @ 3500rpm
320 Nm @ 1400rpm	350 Nm @ 1400rpm	350 Nm @ 1400rpm
MLWB Fiat Chassis		
3.80m / 12'6"		
3		
4		
6.75m / 22'2"		
2.39m / 7'10"		
2.91m / 9'6"		
3500kg	3500kg	3500kg
2904kg	2904kg	2937kg
596kg	596kg	563kg
2774kg Est	2774kg Est	2807kg Est
0kg		
THREE		
215cm x 123cm / 92cm / 7'11" x 4'0" / 3'0"		
188cm x 133cm / 6'2" x 4'4"		

Edge Specifications

Model	Edge 476 Standard	Edge 476 Optional
Roof Profile	High Line	
Engine	120 MJT	130 MJT
Engine Capacity	2.3ltr	
Max Power	120 HP @ 2750rpm	130 HP @ 3600rpm
Torque	320 Nm @ 1400rpm	320 Nm @ 1800rpm
Chassis	LWB Fiat Chassis	
Wheel base	4.04m / 13' 3"	
Designated Passenger Seats (excluding Driver)	5	
Berths (sleeping positions)	6	
Overall Length (no ladder)	7.32m / 24'0"	
Overall Width (mirrors folded)	2.39m / 7'10"	
Overall Height	2.98m / 9'9"	
Maximum Technical Permissible Laden Mass (A)	3500kg	3500kg
Mass in Running Order (B)	2991kg	2991kg
Maximum User Payload (A-B)	509kg	509kg
Unladen Weight	2861kg	2838kg
Essential Habitation Equipment	0kg	
Thermal Insulation Grade	THREE	
Bed Sizes		
Front Double	215cm x 180cm / 86cm / 7'1" x 5'11" / 2'10"	
Front Nearside Single		
Front Offside Single		
Rear Double	214cm x 143cm / 7'0" x 4'8"	
Rear Nearside Single	191cm x 83cm / 6'3" x 2'5"	
Rear Offside Single	191cm x 83cm / 6'3" x 2'5"	
Rear Bunk (Upper)		
Rear Bunk (Lower)		
Front Drop Down Bed	190cm x 134cm / 6'3" x 4'5"	

NOTE: 1. **The Maximum User Payload** includes:

- the **conventional load** (this is the allowance for passengers)
- essential habitation equipment** (items and fluids required for safe and proper functioning of habitation equipment)
- optional equipment** (items available from the manufacturer over and above the standard specification)
- personal effects** (those items not covered by the above)

2. The **Mass in Running Order** is the mass of the unladen vehicle including a 75kg allowance for the driver plus engine coolants and 90% of the fuel tank and 1 x 6kg Calor Lite cylinder.

3. The MRO is calculated with the fresh water tank empty. If you travel with water in the fresh water tank then the payload will reduce accordingly.

4. PLEASE TAKE CARE TO ENSURE THAT YOU HAVE ALLOWED FOR THE MASSES OF ALL ITEMS YOU INTEND TO CARRY IN THE MOTOR CARAVAN, e.g. passengers, optional equipment, essential habitation equipment and personal effects, such as clothing, food, pets, bicycles, sailboards, sports equipment etc.

5. **WARNING** - UNDER NO CIRCUMSTANCES SHOULD THE MAXIMUM TECHNICAL PERMISSIBLE LADEN MASS OF THIS MOTOR CARAVAN BE EXCEEDED.

Est = Estimated

Edge 476 Optional	Edge 476 Optional
High Line	
140 MJT	140 MJT Auto
2.3ltr	
140 HP @ 3500rpm	140 HP @ 3500rpm
350 Nm @ 1400rpm	350 Nm @ 1400rpm
LWB Fiat Chassis	
4.04m / 13' 3"	
5	
6	
7.32m / 24'0"	
2.39m / 7'10"	
2.98m / 9'9"	
3500kg	3650kg
2991kg	3024kg
509kg	626kg
2861kg	2894kg
0kg	
THREE	
215cm x 180cm / 86cm / 7'1" x 5'11" / 2'10"	
214cm x 143cm / 7'0" x 4'8"	
191cm x 83cm / 6'3" x 2'5"	
191cm x 83cm / 6'3" x 2'5"	
190cm x 134cm / 6'3" x 4'5"	

Edge Specifications

Model	Edge 486 Standard	Edge 486 Optional
Roof Profile	High Line	
Engine	120 MJT	130 MJT
Engine Capacity	2.3ltr	
Max Power	120 HP @ 2750rpm	130 HP @ 3600rpm
Torque	320 Nm @ 1400rpm	320 Nm @ 1800rpm
Chassis	LWB Fiat Chassis	
Wheel base	4.04m / 13' 3"	
Designated Passenger Seats (excluding Driver)	5	
Berths (sleeping positions)	6	
Overall Length (no ladder)	7.32m / 24'0"	
Overall Width (mirrors folded)	2.39m / 7'10"	
Overall Height	2.98m / 9'9"	
Maximum Technical Permissible Laden Mass (A)	3500kg	3500kg
Mass in Running Order (B)	2991kg	2985kg
Maximum User Payload (A-B)	509kg	515kg
Unladen Weight	2861kg	2832kg
Essential Habitation Equipment	0kg	
Thermal Insulation Grade	THREE	
Bed Sizes		
Front Double	215cm x 180cm / 121cm / 7'1" x 5'11" / 4'0"	
Front Nearside Single		
Front Offside Single		
Rear Double	214cm x 131cm / 7'0" x 4'4"	
Rear Nearside Single		
Rear Offside Single		
Rear Bunk (Upper)		
Rear Bunk (Lower)		
Front Drop Down Bed	190cm x 134cm / 6'3" x 4'5"	

NOTE: 1. **The Maximum User Payload** includes:

- the **conventional load** (this is the allowance for passengers)
- essential habitation equipment** (items and fluids required for safe and proper functioning of habitation equipment)
- optional equipment** (items available from the manufacturer over and above the standard specification)
- personal effects** (those items not covered by the above)

2. The **Mass in Running Order** is the mass of the unladen vehicle including a 75kg allowance for the driver plus engine coolants and 90% of the fuel tank and 1 x 6kg Calor Lite cylinder.

3. The MRO is calculated with the fresh water tank empty. If you travel with water in the fresh water tank then the payload will reduce accordingly.

4. PLEASE TAKE CARE TO ENSURE THAT YOU HAVE ALLOWED FOR THE MASSES OF ALL ITEMS YOU INTEND TO CARRY IN THE MOTOR CARAVAN, e.g. passengers, optional equipment, essential habitation equipment and personal effects, such as clothing, food, pets, bicycles, sailboards, sports equipment etc.

5. **WARNING** - UNDER NO CIRCUMSTANCES SHOULD THE MAXIMUM TECHNICAL PERMISSIBLE LADEN MASS OF THIS MOTOR CARAVAN BE EXCEEDED.

Est = Estimated

Edge 486 Optional	Edge 486 Optional
High Line	
140 MJT	140 MJT Auto
2.3ltr	
140 HP @ 3500rpm	140 HP @ 3500rpm
350 Nm @ 1400rpm	350 Nm @ 1400rpm
LWB Fiat Chassis	
4.04m / 13' 3"	
5	
6	
7.32m / 24'0"	
2.39m / 7'10"	
2.98m / 9'9"	
3500kg	3650kg
2991kg	3024kg
509kg	626kg
2861kg	2894kg
0kg	
THREE	
215cm x 180cm / 71" x 5'11" / 4'0"	
214cm x 131cm / 7'0" x 4'4"	
190cm x 134cm / 6'3" x 4'5"	

Edge Specifications

Model	Edge 494 Standard	Edge 494 Optional
Roof Profile	High Line	
Engine	120 MJT	130 MJT
Engine Capacity	2.3ltr	
Max Power	120 HP @ 2750rpm	130 HP @ 3600rpm
Torque	320 Nm @ 1400rpm	320 Nm @ 1800rpm
Chassis	LWB Fiat Chassis	
Wheel base	4.04m / 13'3"	
Designated Passenger Seats (excluding Driver)	3	
Berths (sleeping positions)	4	
Overall Length (no ladder)	7.32m / 24'0"	
Overall Width (mirrors folded)	2.39m / 7'10"	
Overall Height	2.98m / 9'9"	
Maximum Technical Permissible Laden Mass (A)	3500kg	
Mass in Running Order (B)	2975kg	3067kg
Maximum User Payload (A-B)	525kg	433kg
Unladen Weight	2845kg	2914kg
Essential Habitation Equipment	0kg	
Thermal Insulation Grade	THREE	
Bed Sizes		
Front Double		
Front Nearside Single		
Front Offside Single		
Rear Double	185cm x 133cm / 6'1" x 4'4"	
Rear Nearside Single		
Rear Offside Single		
Rear Bunk (Upper)		
Rear Bunk (Lower)		
Overcab Bed	190cm x 134cm / 6'3" x 4'5"	

NOTE: 1. **The Maximum User Payload** includes:

- the **conventional load** (this is the allowance for passengers)
- essential habitation equipment** (items and fluids required for safe and proper functioning of habitation equipment)
- optional equipment** (items available from the manufacturer over and above the standard specification)
- personal effects** (those items not covered by the above)

2. The **Mass in Running Order** is the mass of the unladen vehicle including a 75kg allowance for the driver plus engine coolants and 90% of the fuel tank and 1 x 6kg Calor Lite cylinder.

3. The MRO is calculated with the fresh water tank empty. If you travel with water in the fresh water tank then the payload will reduce accordingly.

4. PLEASE TAKE CARE TO ENSURE THAT YOU HAVE ALLOWED FOR THE MASSES OF ALL ITEMS YOU INTEND TO CARRY IN THE MOTOR CARAVAN, e.g. passengers, optional equipment, essential habitation equipment and personal effects, such as clothing, food, pets, bicycles, sailboards, sports equipment etc.

5. **WARNING** - UNDER NO CIRCUMSTANCES SHOULD THE MAXIMUM TECHNICAL PERMISSIBLE LADEN MASS OF THIS MOTOR CARAVAN BE EXCEEDED.

Est = Estimated

Edge 494 Optional	Edge 494 Optional
High Line	
140 MJT	140 MJT Auto
2.3ltr	
140 HP @ 3500rpm	140 HP @ 3500rpm
350 Nm @ 1400rpm	350 Nm @ 1400rpm
LWB Fiat Chassis	
4.04m / 13'3"	
3	
4	
7.32m / 24'0"	
2.39m / 7'10"	
2.98m / 9'9"	
3500kg	
2975kg	3008kg
525kg	492kg
2845kg	2878kg
0kg	
THREE	
185cm x 133cm / 6'1" x 4'4"	
190cm x 134cm / 6'3" x 4'5"	

Edge Capacities

Water Tank Capacities

	Fresh Water Tank	Waste Water Tank	Water Heater
Edge	100 litre	68 litre	10 litre

LPG Locker Capacity

	Capacity
Edge	1 x 6kg + 1 x 13kg

NOTICE: For technical data on the base vehicle please refer to the manufacturer's handbook

Edge Towing Capabilities

Edge Towing Capabilities

Model	MTPLM	Permissible Front Axle Load	Permissible Rear Axle Load	Recommended Maximum Trailer Weight	Gross Train Weight
EDGE 412*	3300kg	1750kg	1900kg	2000kg*	5300kg
EDGE 464	3500kg	1850kg	2000kg	2000kg	5500kg
EDGE 464	3650kg	1850kg	2000kg	2000kg	5650kg
EDGE 476	3500kg	1850kg	2000kg	N/A	3500kg
EDGE 476	3650kg	1850kg	2000kg	2000kg	5650kg
EDGE 486	3500kg	1850kg	2000kg	N/A	3500kg
EDGE 486	3650kg	1850kg	2000kg	2000kg	5650kg
EDGE 494	3500kg	1850kg	2000kg	2000kg	5500kg
EDGE 494	3650kg	1850kg	2000kg	2000kg	5650kg

Please note that the additional weight of the tow bar and trailer nose weight increases the rear axle loading of the motor home so care should be taken that the rear axle load is not exceeded when towing.

To ensure adequate road holding, the load on the front axle, under all conditions, must not be less than 40% or more than 70% of the total weight.

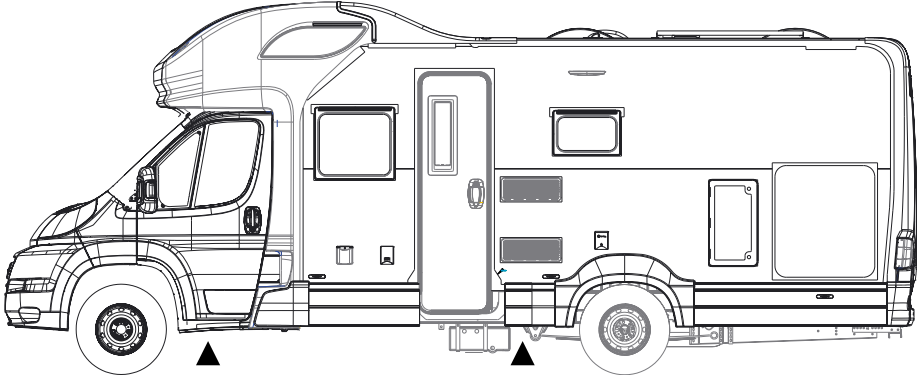
Care must be taken when distributing loads. The loadings and weights above are maximums and must not be exceeded under any circumstances.

* With this vehicle configuration it will be necessary to reduce the payload carried inside the van when towing to ensure that the MTPLM and Maximum Axle Loads are not exceeded.

CAUTION: When fitting a towbar, it must meet certain minimum requirements as specified by Type Approval Regulations. The bar will have marked on it the approval standard (94/20/EC or 55R ECE) and the maximum download, or noseweight, that it can accept. It must fit the manufacturer's approved mounting points and must not obscure the towing vehicle's number plate.

Edge Jacking

SWIFT EDGE



Jacking Points for: Edge 412, 464, 476, 486, & 494: ▲



Escape Compact Specifications

Model	Escape Compact C205 Standard	Escape Compact C205 Optional
Roof Profile	Low Line	
Engine	120 MJT	130 MJT
Engine Capacity	2.3ltr	2.3ltr
Max Power	120 HP @ 2750rpm	130 HP @ 3600rpm
Torque	320 Nm @ 1400rpm	320 Nm @ 1800rpm
Chassis	MLWB Fiat Chassis	
Wheel base	3.80m / 12'6"	
Designated Passenger Seats (excluding Driver)	3	
Berths (sleeping positions)	2	
Overall Length (no ladder)	5.99m / 19'8"	
Overall Width (mirrors folded)	2.26m / 7'5"	
Overall Height	2.78m / 9'1"	
Maximum Technical Permissible Laden Mass (A)	3300kg	
Mass in Running Order (B)	2705kg	2692kg
Maximum User Payload (A-B)	595kg	608kg
Unladen Weight	2562kg	2536kg
Essential Habitation Equipment	0kg	
Thermal Insulation Grade	THREE	
Bed Sizes		
Rear Double	194cm x 131cm / 6'4" x 4'4"	

NOTE: 1. **The Maximum User Payload** includes:

- a) the **conventional load** (this is the allowance for passengers)
- b) **essential habitation equipment** (items and fluids required for safe and proper functioning of habitation equipment)
- c) **optional equipment** (items available from the manufacturer over and above the standard specification)
- d) **personal effects** (those items not covered by the above)

2. The **Mass in Running Order** is the mass of the unladen vehicle including a 75kg allowance for the driver plus engine coolants and 90% of the fuel tank and 1 x 6kg Calor Lite cylinder.

3. The MRO is calculated with the fresh water tank empty. If you travel with water in the fresh water tank then the payload will reduce accordingly.

4. PLEASE TAKE CARE TO ENSURE THAT YOU HAVE ALLOWED FOR THE MASSES OF ALL ITEMS YOU INTEND TO CARRY IN THE MOTOR CARAVAN, e.g. passengers, optional equipment, essential habitation equipment and personal effects, such as clothing, food, pets, bicycles, sailboards, sports equipment etc.

5. **WARNING** - UNDER NO CIRCUMSTANCES SHOULD THE MAXIMUM TECHNICAL PERMISSIBLE LADEN MASS OF THIS MOTOR CARAVAN BE EXCEEDED.

Est = Estimated

Escape Compact C205 Standard	Escape Compact C205 Optional
Low Line	
140 MJT	140 MJT Auto
2.3ltr	2.3ltr
140 HP @ 3500rpm	140 HP @ 3500rpm
350 Nm @ 1400rpm	350 Nm @ 1400rpm
MLWB Fiat Chassis	
3.80m / 12'6"	
3	
2	
5.99m / 19'8"	
2.26m / 7'5"	
2.78m / 9'1"	
3300kg	
2705kg	2738kg
595kg	562kg
2562kg	2595kg
0kg	
THREE	
194cm x 131cm / 6'4" x 4'4"	

Escape Compact Specifications

Model	Escape Compact C402 Standard	Escape Compact C402 Optional	Escape Compact C402 Optional
Roof Profile	Low Line		
Engine	120 MJT	140 MJT	140 MJT Auto
Engine Capacity	2.3ltr		
Max Power	120 HP @ 2750rpm	140 HP @ 3500rpm	140 HP @ 3500rpm
Torque	320 Nm @ 1400rpm	350Nm @ 1400rpm	350Nm @ 1400rpm
Chassis	MLWB Fiat Chassis		
Wheel base	3.80m / 12'6"		
Designated Passenger Seats (excluding Driver)	3		
Berths (sleeping positions)	2		
Overall Length (no ladder)	5.99m / 19'8"		
Overall Width (mirrors folded)	2.26m / 7'5"		
Overall Height	2.78m / 9'1"		
Maximum Technical Permissible Laden Mass (A)	3300kg		
Mass in Running Order (B)	2710kg	2710kg	2743kg
Maximum User Payload (A-B)	590kg	590kg	557kg
Unladen Weight	2567kg	2567kg	2600kg
Essential Habitation Equipment	0kg		
Thermal Insulation Grade	THREE		
Bed Sizes			
Rear Double	193cm x 120cm / 6'4" x 3'11"		
Drop Down Bed			

NOTE: 1. **The Maximum User Payload** includes:

- the **conventional load** (this is the allowance for passengers)
- essential habitation equipment** (items and fluids required for safe and proper functioning of habitation equipment)
- optional equipment** (items available from the manufacturer over and above the standard specification)
- personal effects** (those items not covered by the above)

2. The **Mass in Running Order** is the mass of the unladen vehicle including a 75kg allowance for the driver plus engine coolants and 90% of the fuel tank and 1 x 6kg Calor Lite cylinder.

3. The MRO is calculated with the fresh water tank empty. If you travel with water in the fresh water tank then the payload will reduce accordingly.

4. PLEASE TAKE CARE TO ENSURE THAT YOU HAVE ALLOWED FOR THE MASSES OF ALL ITEMS YOU INTEND TO CARRY IN THE MOTOR CARAVAN, e.g. passengers, optional equipment, essential habitation equipment and personal effects, such as clothing, food, pets, bicycles, sailboards, sports equipment etc.

5. **WARNING** - UNDER NO CIRCUMSTANCES SHOULD THE MAXIMUM TECHNICAL PERMISSIBLE LADEN MASS OF THIS MOTOR CARAVAN BE EXCEEDED.

Est = Estimated

Escape Compact C404 Standard	Escape Compact C404 Optional	Escape Compact C404 Optional
Low Line		
120 MJT	140 MJT	140 MJT Auto
2.3ltr		
120 HP @ 2750rpm	140 HP @ 3500rpm	140 HP @ 3500rpm
320 Nm @ 1400rpm	350Nm @ 1400rpm	350Nm @ 1400rpm
MLWB Flat Chassis		
3.80m / 12'6"		
3		
4		
5.99m / 19'8"		
2.26m / 7'5"		
2.78m / 9'1"		
3300kg		
2775kg	2775kg	2808kg
525kg	525kg	492kg
2632kg	2632kg	2665kg
0kg		
THREE		
193cm x 120cm / 6'4" x 3'11"		
183cm x 118cm / 6'1" x 3'10"		

Escape Compact Specifications

Model	Escape Compact C502 Standard	Escape Compact C502 Optional	Escape Compact C502 Optional
Roof Profile	Low Line		
Engine	120 MJT	140 MJT	140 MJT Auto
Engine Capacity	2.3ltr		
Max Power	120 HP @ 2750rpm	140 HP @ 3500rpm	140 HP @ 3500rpm
Torque	320 Nm @ 1400rpm	350Nm @ 1400rpm	350Nm @ 1400rpm
Chassis	MLWB Fiat Chassis		
Wheel base	3.80m / 12'6"		
Designated Passenger Seats (excluding Driver)	3		
Berths (sleeping positions)	2		
Overall Length (no ladder)	6.44m / 21'2" Est		
Overall Width (mirrors folded)	2.26m / 7'5"		
Overall Height	2.78m / 9'1" Est		
Maximum Technical Permissible Laden Mass (A)	3300kg Est		
Mass in Running Order (B)	2735kg Est	2735kg Est	2768kg Est
Maximum User Payload (A-B)	565kg Est	565kg Est	532kg Est
Unladen Weight	2592kg Est	2592kg Est	2700kg Est
Essential Habitation Equipment	0kg		
Thermal Insulation Grade	THREE		
Bed Sizes			
Rear Offside Single	184cm x 74cm / 6'2" x 2'4"		
Rear Nearside Single	196cm x 74cm / 6'5" x 2'4"		

NOTE: 1. **The Maximum User Payload** includes:

- the **conventional load** (this is the allowance for passengers)
- essential habitation equipment** (items and fluids required for safe and proper functioning of habitation equipment)
- optional equipment** (items available from the manufacturer over and above the standard specification)
- personal effects** (those items not covered by the above)

2. The **Mass in Running Order** is the mass of the unladen vehicle including a 75kg allowance for the driver plus engine coolants and 90% of the fuel tank and 1 x 6kg Calor Lite cylinder.

3. The MRO is calculated with the fresh water tank empty. If you travel with water in the fresh water tank then the payload will reduce accordingly.

4. PLEASE TAKE CARE TO ENSURE THAT YOU HAVE ALLOWED FOR THE MASSES OF ALL ITEMS YOU INTEND TO CARRY IN THE MOTOR CARAVAN, e.g. passengers, optional equipment, essential habitation equipment and personal effects, such as clothing, food, pets, bicycles, sailboards, sports equipment etc.

5. **WARNING** - UNDER NO CIRCUMSTANCES SHOULD THE MAXIMUM TECHNICAL PERMISSIBLE LADEN MASS OF THIS MOTOR CARAVAN BE EXCEEDED.

Est = Estimated



Escape Specifications

Model	Escape 604 Standard	Escape 604 Optional
Roof Profile	Low Line	
Engine	120 MJT	130 MJT
Engine Capacity	2.3ltr	
Max Power	120 HP @ 2750rpm	130 HP @ 3600rpm
Torque	320 Nm @ 1400rpm	320 Nm @ 1800rpm
Chassis	MLWB Fiat Chassis	
Wheel base	3.80m / 12'6"	
Designated Passenger Seats (excluding Driver)	3	
Berths (sleeping positions)	4	
Overall Length (no ladder)	5.97m / 19'7"	
Overall Width (mirrors folded)	2.31m / 7'7"	
Overall Height	2.91m / 9'6"	
Maximum Technical Permissible Laden Mass (A)	3500kg	
Mass in Running Order (B)	2857kg	2845kg
Maximum User Payload (A-B)	643kg	655kg
Unladen Weight	2714kg	2689kg
Essential Habitation Equipment	0kg	
Thermal Insulation Grade	THREE	
Bed Sizes		
Front Double	209cm x 148cm / 103cm / 6'10" x 4'10" / 3'5"	
Front Nearside Single		
Front Offside Single		
Rear Double		
Rear Nearside Single		
Rear Offside Single		
Rear Bunk (Upper)		
Rear Bunk (Lower)		
Drop Down Bed	193cm x 127cm / 6'4" x 4'2"	

NOTE: 1. The Maximum User Payload includes:

- the **conventional load** (this is the allowance for passengers)
- essential habitation equipment** (items and fluids required for safe and proper functioning of habitation equipment)
- optional equipment** (items available from the manufacturer over and above the standard specification)
- personal effects** (those items not covered by the above)

2. The **Mass in Running Order** is the mass of the unladen vehicle including a 75kg allowance for the driver plus engine coolants and 90% of the fuel tank and 1 x 6kg Calor Lite cylinder.

3. The MRO is calculated with the fresh water tank empty. If you travel with water in the fresh water tank then the payload will reduce accordingly.

4. PLEASE TAKE CARE TO ENSURE THAT YOU HAVE ALLOWED FOR THE MASSES OF ALL ITEMS YOU INTEND TO CARRY IN THE MOTOR CARAVAN, e.g. passengers, optional equipment, essential habitation equipment and personal effects, such as clothing, food, pets, bicycles, sailboards, sports equipment etc.

5. **WARNING** - UNDER NO CIRCUMSTANCES SHOULD THE MAXIMUM TECHNICAL PERMISSIBLE LADEN MASS OF THIS MOTOR CARAVAN BE EXCEEDED.

Est = Estimated

Escape 604 Optional	Escape 604 Optional
Low Line	
140 MJT	140 MJT Auto
2.3ltr	
140 HP @ 3500rpm	140 HP @ 3500rpm
350 Nm @ 1400rpm	350 Nm @ 1400rpm
MLWB Fiat Chassis	
3.80m / 12'6"	
3	
4	
5.97m / 19'7"	
2.31m / 7'7"	
2.91m / 9'6"	
3500kg	
2857kg	2890kg
643kg	610kg
2714kg	2747kg
0kg	
THREE	
209cm x 148cm / 103cm / 6'10" x 4'10" / 3'5"	
193cm x 127cm / 6'4" x 4'2"	

Escape Specifications

Model	Escape 612 Standard	Escape 612 Optional
Roof Profile	Low Line	
Engine	120 MJT	130 MJT
Engine Capacity	2.3ltr	
Max Power	120 HP @ 2750rpm	130 HP @ 3600rpm
Torque	320 Nm @ 1400rpm	320 Nm @ 1800rpm
Chassis	SWB Fiat Chassis	
Wheel base	3.00m / 9'10"	
Designated Passenger Seats (excluding Driver)	1	
Berths (sleeping positions)	2	
Overall Length (no ladder)	5.88m / 19'3"	
Overall Width (mirrors folded)	2.31m / 7'7"	
Overall Height	2.93m / 9'7"	
Maximum Technical Permissible Laden Mass (A)	3500kg	
Mass in Running Order (B)	2752kg	2740kg
Maximum User Payload (A-B)	748kg	760kg
Unladen Weight	2609kg	2584kg
Essential Habitation Equipment	0kg	
Thermal Insulation Grade	THREE	
Bed Sizes		
Front Double	209cm x 130cm / 6'10" x 4'3"	
Front Nearside Single (Inc. Cab Seat)	188cm x 69cm / 6'2" x 2'3"	
Front Offside Single (Inc. Cab Seat)	188cm x 69cm / 6'2" x 2'3"	
Rear Double		
Rear Nearside Single		
Rear Offside Single		
Rear Bunk (Upper)		
Rear Bunk (Lower)		
Drop Down Bed		

NOTE: 1. The Maximum User Payload includes:

- the **conventional load** (this is the allowance for passengers)
- essential habitation equipment** (items and fluids required for safe and proper functioning of habitation equipment)
- optional equipment** (items available from the manufacturer over and above the standard specification)
- personal effects** (those items not covered by the above)

2. The **Mass in Running Order** is the mass of the unladen vehicle including a 75kg allowance for the driver plus engine coolants and 90% of the fuel tank and 1 x 6kg Calor Lite cylinder.

3. The MRO is calculated with the fresh water tank empty. If you travel with water in the fresh water tank then the payload will reduce accordingly.

4. PLEASE TAKE CARE TO ENSURE THAT YOU HAVE ALLOWED FOR THE MASSES OF ALL ITEMS YOU INTEND TO CARRY IN THE MOTOR CARAVAN, e.g. passengers, optional equipment, essential habitation equipment and personal effects, such as clothing, food, pets, bicycles, sailboards, sports equipment etc.

5. **WARNING** - UNDER NO CIRCUMSTANCES SHOULD THE MAXIMUM TECHNICAL PERMISSIBLE LADEN MASS OF THIS MOTOR CARAVAN BE EXCEEDED.

Est = Estimated

Escape 612 Optional	Escape 612 Optional
Low Line	
140 MJT	140 MJT Auto
2.3ltr	
140 HP @ 3500rpm	140 HP @ 3500rpm
350 Nm @ 1400rpm	350 Nm @ 1400rpm
SWB Fiat Chassis	
3.00m / 9'10"	
1	
2	
5.88m / 19'3"	
2.31m / 7'7"	
2.93m / 9'7"	
3500kg	
2752kg	2785kg
748kg	715kg
2609kg	2642kg
0kg	
THREE	
209cm x 130cm / 6'10" x 4'3"	
188cm x 69cm / 6'2" x 2'3"	
188cm x 69cm / 6'2" x 2'3"	

Escape Specifications

Model	Escape 614 Standard	Escape 614 Optional
Roof Profile	Low Line	
Engine	120 MJT	130 MJT
Engine Capacity	2.3ltr	
Max Power	120 HP @ 2750rpm	130 HP @ 3600rpm
Torque	320 Nm @ 1400rpm	320 Nm @ 1800rpm
Chassis	MLWB Fiat Chassis	
Wheel base	3.80m / 12'6"	
Designated Passenger Seats (excluding Driver)	3	
Berths (sleeping positions)	4	
Overall Length (no ladder)	6.72m / 22'11"	
Overall Width (mirrors folded)	2.31m / 7'7"	
Overall Height	2.91m / 9'6"	
Maximum Technical Permissible Laden Mass (A)	3500kg	
Mass in Running Order (B)	2960kg	2947kg
Maximum User Payload (A-B)	540kg	553kg
Unladen Weight	2817kg	2791kg
Essential Habitation Equipment	0kg	
Thermal Insulation Grade	THREE	
Bed Sizes		
Front Double	209cm x 148cm / 103cm / 6'10" x 4'10" / 3'5"	
Front Nearside Single (Inc. Cab Seat)		
Front Offside Single (Inc. Cab Seat)		
Rear Double		
Rear Nearside Single		
Rear Offside Single		
Rear Bunk (Upper)		
Rear Bunk (Lower)		
Drop Down Bed	193cm x 127cm / 6'4" x 4'2"	

NOTE: 1. **The Maximum User Payload** includes:

- the **conventional load** (this is the allowance for passengers)
- essential habitation equipment** (items and fluids required for safe and proper functioning of habitation equipment)
- optional equipment** (items available from the manufacturer over and above the standard specification)
- personal effects** (those items not covered by the above)

2. The **Mass in Running Order** is the mass of the unladen vehicle including a 75kg allowance for the driver plus engine coolants and 90% of the fuel tank and 1 x 6kg Calor Lite cylinder.

3. The MRO is calculated with the fresh water tank empty. If you travel with water in the fresh water tank then the payload will reduce accordingly.

4. PLEASE TAKE CARE TO ENSURE THAT YOU HAVE ALLOWED FOR THE MASSES OF ALL ITEMS YOU INTEND TO CARRY IN THE MOTOR CARAVAN, e.g. passengers, optional equipment, essential habitation equipment and personal effects, such as clothing, food, pets, bicycles, sailboards, sports equipment etc.

5. **WARNING** - UNDER NO CIRCUMSTANCES SHOULD THE MAXIMUM TECHNICAL PERMISSIBLE LADEN MASS OF THIS MOTOR CARAVAN BE EXCEEDED.

Est = Estimated

Escape 614 Optional	Escape 614 Optional
Low Line	
140 MJT	140 MJT Auto
2.3ltr	
140 HP @ 3500rpm	140 HP @ 3500rpm
350 Nm @ 1400rpm	350 Nm @ 1400rpm
MLWB Fiat Chassis	
3.80m / 12'6"	
3	
4	
6.72m / 22'1"	
2.31m / 7'7"	
2.91m / 9'6"	
3500kg	
2960kg	2993kg
540kg	507kg
2817kg	2850kg
0kg	
THREE	
209cm x 148cm / 103cm / 6'10" x 4'10" / 3'5"	
193cm x 127cm / 6'4" x 4'2"	

Escape Specifications

Model	Escape 622 Standard	Escape 622 Optional
Roof Profile	Low Line	
Engine	120 MJT	130 MJT
Engine Capacity	2.3ltr	
Max Power	120 HP @ 2750rpm	130 HP @ 3600rpm
Torque	320 Nm @ 1400rpm	320 Nm @ 1800rpm
Chassis	MWB Fiat Chassis	
Wheel base	3.45m / 11'4"	
Designated Passenger Seats (excluding Driver)	1	
Berths (sleeping positions)	2	
Overall Length (no ladder)	6.29m / 20'8"	
Overall Width (mirrors folded)	2.31m / 7'7"	
Overall Height	2.91m / 9'6"	
Maximum Technical Permissible Laden Mass (A)	3500kg	
Mass in Running Order (B)	2772kg	2760kg
Maximum User Payload (A-B)	728kg	740kg
Unladen Weight	2629kg	2604kg
Essential Habitation Equipment	0kg	
Thermal Insulation Grade	THREE	
Bed Sizes		
Front Double		
Front Nearside Single (Inc. Cab Seat)		
Front Offside Single (Inc. Cab Seat)		
Rear Double	208cm x 169cm / 6'10" x 5'7"	
Rear Nearside Single	175cm x 68cm / 5'9" x 2'3"	
Rear Offside Single	186cm x 68cm / 6'1" x 2'3"	
Rear Bunk (Upper)		
Rear Bunk (Lower)		
Drop Down Bed		

NOTE: 1. The Maximum User Payload includes:

- the **conventional load** (this is the allowance for passengers)
- essential habitation equipment** (items and fluids required for safe and proper functioning of habitation equipment)
- optional equipment** (items available from the manufacturer over and above the standard specification)
- personal effects** (those items not covered by the above)

2. The **Mass in Running Order** is the mass of the unladen vehicle including a 75kg allowance for the driver plus engine coolants and 90% of the fuel tank and 1 x 6kg Calor Lite cylinder.

3. The MRO is calculated with the fresh water tank empty. If you travel with water in the fresh water tank then the payload will reduce accordingly.

4. PLEASE TAKE CARE TO ENSURE THAT YOU HAVE ALLOWED FOR THE MASSES OF ALL ITEMS YOU INTEND TO CARRY IN THE MOTOR CARAVAN, e.g. passengers, optional equipment, essential habitation equipment and personal effects, such as clothing, food, pets, bicycles, sailboards, sports equipment etc.

5. **WARNING** - UNDER NO CIRCUMSTANCES SHOULD THE MAXIMUM TECHNICAL PERMISSIBLE LADEN MASS OF THIS MOTOR CARAVAN BE EXCEEDED.

Est = Estimated

Escape 622 Optional	Escape 622 Optional
Low Line	
140 MJT	140 MJT Auto
2.3ltr	
140 HP @ 3500rpm	140 HP @ 3500rpm
350 Nm @ 1400rpm	350 Nm @ 1400rpm
MWB Flat Chassis	
3.45m / 11'4"	
1	
2	
6.29m / 20'8"	
2.31m / 7'7"	
2.91m / 9'6"	
3500kg	
2772kg	2805kg
728kg	695kg
2629kg	2662kg
0kg	
THREE	
208cm x 169cm / 6'10" x 5'7"	
175cm x 68cm / 5'9" x 2'3"	
186cm x 68cm / 6'1" x 2'3"	

Escape Specifications

Model	Escape 664 Standard	Escape 664 Optional
Roof Profile	Low Line	
Engine	120 MJT	130 MJT
Engine Capacity	2.3ltr	
Max Power	120 HP @ 2750rpm	130 HP @ 3600rpm
Torque	320 Nm @ 1400rpm	320 Nm @ 1800rpm
Chassis	MLWB Fiat Chassis	
Wheel base	3.80m / 12'6"	
Designated Passenger Seats (excluding Driver)	3	
Berths (sleeping positions)	4	
Overall Length (no ladder)	6.72m / 20'1"	
Overall Width (mirrors folded)	2.31m / 7'7"	
Overall Height	2.91m / 9'6"	
Maximum Technical Permissible Laden Mass (A)	3500kg	
Mass in Running Order (B)	2867kg	2855kg
Maximum User Payload (A-B)	633kg	645kg
Unladen Weight	2724kg	2699kg
Essential Habitation Equipment	0kg	
Thermal Insulation Grade	THREE	
Bed Sizes		
Front Double	209cm x 123cm / 92cm / 6'9" x 4'0" / 3'0"	
Front Nearside Single (Inc. Cab Seat)		
Front Offside Single (Inc. Cab Seat)		
Rear Double	187cm x 126cm / 6'2" x 4'2"	
Rear Nearside Single		
Rear Offside Single		
Rear Bunk (Upper)		
Rear Bunk (Lower)		
Drop Down Bed		

NOTE: 1. The Maximum User Payload includes:

- the **conventional load** (this is the allowance for passengers)
- essential habitation equipment** (items and fluids required for safe and proper functioning of habitation equipment)
- optional equipment** (items available from the manufacturer over and above the standard specification)
- personal effects** (those items not covered by the above)

2. The **Mass in Running Order** is the mass of the unladen vehicle including a 75kg allowance for the driver plus engine coolants and 90% of the fuel tank and 1 x 6kg Calor Lite cylinder.

3. The MRO is calculated with the fresh water tank empty. If you travel with water in the fresh water tank then the payload will reduce accordingly.

4. PLEASE TAKE CARE TO ENSURE THAT YOU HAVE ALLOWED FOR THE MASSES OF ALL ITEMS YOU INTEND TO CARRY IN THE MOTOR CARAVAN, e.g. passengers, optional equipment, essential habitation equipment and personal effects, such as clothing, food, pets, bicycles, sailboards, sports equipment etc.

5. **WARNING** - UNDER NO CIRCUMSTANCES SHOULD THE MAXIMUM TECHNICAL PERMISSIBLE LADEN MASS OF THIS MOTOR CARAVAN BE EXCEEDED.

Est = Estimated

Escape 664 Optional	Escape 664 Optional
Low Line	
140 MJT	140 MJT Auto
2.3ltr	
140 HP @ 3500rpm	140 HP @ 3500rpm
350 Nm @ 1400rpm	350 Nm @ 1400rpm
MLWB Fiat Chassis	
3.80m / 12'6"	
3	
4	
6.72m / 20'1"	
2.31m / 7'7"	
2.91m / 9'6"	
3500kg	
2867kg	2900kg
633kg	600kg
2724kg	2757kg
0kg	
THREE	
209cm x 123cm / 92cm / 6'9" x 4'0" / 3'0"	
187cm x 126cm / 6'2" x 4'2"	

Escape Specifications

Model	Escape 674 Standard	Escape 674 Standard Drop Down Bed & Travelling Seat	Escape 674 Optional
Roof Profile	Low Line		
Engine	120 MJT	120 MJT	130 MJT
Engine Capacity	2.3ltr		
Max Power	120 HP @ 2750rpm	120 HP @ 2750rpm	130 HP @ 3600rpm
Torque	320 Nm @ 1400rpm	320 Nm @ 1400rpm	320 Nm @ 1800rpm
Chassis	Fiat / Al-Ko Chassis		
Wheel base	4.65m / 15'3"		
Designated Passenger Seats (excluding Driver)	3	4	3
Berths (sleeping positions)	4	6	4
Overall Length (no ladder)	7.41m / 24'4"		
Overall Width (mirrors folded)	2.31m / 7'7"		
Overall Height	2.88m / 9'5"		
Maximum Technical Permissible Laden Mass (A)	3500kg		
Mass in Running Order (B)	2942kg	3042kg	2918kg
Maximum User Payload (A-B)	558kg	458kg	582kg
Unladen Weight	2811kg	2911kg	2785kg
Essential Habitation Equipment	0kg		
Thermal Insulation Grade	THREE		
Bed Sizes			
Front Double	209cm x 148cm / 103cm / 6'10" x 4'10" / 3'5"		
Front Nearside Single (Inc. Cab Seat)			
Front Offside Single (Inc. Cab Seat)			
Rear Double	206cm x 183cm / 6'9" x 6'0"		
Rear Nearside Single	183cm x 68cm / 6'0" x 2'3"		
Rear Offside Single	191cm x 68cm / 6'3" x 2'3"		
Rear Bunk (Upper)			
Rear Bunk (Lower)			
Drop Down Bed (Option)	193cm x 127cm / 6'3" x 4'2"		

NOTE: 1. **The Maximum User Payload** includes:

- the **conventional load** (this is the allowance for passengers)
- essential habitation equipment** (items and fluids required for safe and proper functioning of habitation equipment)
- optional equipment** (items available from the manufacturer over and above the standard specification)
- personal effects** (those items not covered by the above)

2. The **Mass in Running Order** is the mass of the unladen vehicle including a 75kg allowance for the driver plus engine coolants and 90% of the fuel tank and 1 x 6kg Calor Lite cylinder.

3. The MRO is calculated with the fresh water tank empty. If you travel with water in the fresh water tank then the payload will reduce accordingly.

4. PLEASE TAKE CARE TO ENSURE THAT YOU HAVE ALLOWED FOR THE MASSES OF ALL ITEMS YOU INTEND TO CARRY IN THE MOTOR CARAVAN, e.g. passengers, optional equipment, essential habitation equipment and personal effects, such as clothing, food, pets, bicycles, sailboards, sports equipment etc.

5. **WARNING - UNDER NO CIRCUMSTANCES SHOULD THE MAXIMUM TECHNICAL PERMISSIBLE LADEN MASS OF THIS MOTOR CARAVAN BE EXCEEDED.**

Est = Estimated

Escape 674 Optional Drop Down Bed & Travelling Seat	Escape 674 Optional	Escape 674 Optional Drop Down Bed & Travelling Seat	Escape 674 Optional	Escape 674 Optional Drop Down Bed & Travelling Seat
Low Line				
130 MJT	140 MJT	140 MJT	140 MJT Auto	140 MJT Auto
2.3ltr				
130 HP @ 3600rpm	140 HP @ 3500rpm	140 HP @ 3500rpm	140 HP @ 3500rpm	140 HP @ 3500rpm
320 Nm @ 1800rpm	350 Nm @ 1400rpm	350 Nm @ 1400rpm	350 Nm @ 1400rpm	350 Nm @ 1400rpm
Flat / Al-Ko Chassis				
4.65m / 15'3"				
4	3	4	3	4
6	4	6	4	6
7.41m / 24'4"				
2.31m / 7'7"				
2.88m / 9'5"				
3500kg				
3018kg	2942kg	3042kg	2990kg	3090kg
482kg	558kg	458kg	510kg	410kg
2885kg	2811kg	2911kg	2859kg	2959kg
0kg				
THREE				
209cm x 148cm / 103cm / 6'10" x 4'10" / 3'5"				
206cm x 183cm / 6'9" x 6'0"				
183cm x 68cm / 6'0" x 2'3"				
191cm x 68cm / 6'3" x 2'3"				
193cm x 127cm / 6'3" x 4'2"				

Escape Specifications

Model	Escape 675 Standard	Escape 675 Optional	Escape 675 Optional
Roof Profile	Low Line		
Engine	120 MJT	140 MJT	140 MJT Auto
Engine Capacity	2.3ltr		
Max Power	120 HP @ 2750rpm	140 HP @ 3500rpm	140 HP @ 3500rpm
Torque	320 Nm @ 1400rpm	350 Nm @ 1400rpm	350 Nm @ 1400rpm
Chassis	Fiat / Al-Ko Chassis		
Wheel base	4.65m / 15'3"		
Designated Passenger Seats (excluding Driver)	3		
Berths (sleeping positions)	4		
Overall Length (no ladder)	7.86m / 25'9"		
Overall Width (mirrors folded)	2.31m / 7'7"		
Overall Height	2.88m / 9'5"		
Maximum Technical Permissible Laden Mass (A)	3500kg		
Mass in Running Order (B)	2990kg Est	2990kg Est	3038kg
Maximum User Payload (A-B)	510kg Est	510kg Est	462kg
Unladen Weight	2859kg Est	2859kg Est	2907kg
Essential Habitation Equipment	0kg		
Thermal Insulation Grade	THREE		
Bed Sizes			
Front Double	209cm x 148cm / 103cm / 6'10" x 4'10" / 3'5"		
Front Nearside Single (Inc. Cab Seat)			
Front Offside Single (Inc. Cab Seat)			
Rear Double			
Rear Nearside Single	190cm x 72cm / 6'3" x 2'4"		
Rear Offside Single	180cm x 72cm / 5'11" x 2'4"		
Rear Bunk (Upper)			
Rear Bunk (Lower)			
Drop Down Bed			

NOTE: 1. **The Maximum User Payload** includes:

- the **conventional load** (this is the allowance for passengers)
- essential habitation equipment** (items and fluids required for safe and proper functioning of habitation equipment)
- optional equipment** (items available from the manufacturer over and above the standard specification)
- personal effects** (those items not covered by the above)

2. The **Mass in Running Order** is the mass of the unladen vehicle including a 75kg allowance for the driver plus engine coolants and 90% of the fuel tank and 1 x 6kg Calor Lite cylinder.

3. The MRO is calculated with the fresh water tank empty. If you travel with water in the fresh water tank then the payload will reduce accordingly.

4. PLEASE TAKE CARE TO ENSURE THAT YOU HAVE ALLOWED FOR THE MASSES OF ALL ITEMS YOU INTEND TO CARRY IN THE MOTOR CARAVAN, e.g. passengers, optional equipment, essential habitation equipment and personal effects, such as clothing, food, pets, bicycles, sailboards, sports equipment etc.

5. **WARNING** - UNDER NO CIRCUMSTANCES SHOULD THE MAXIMUM TECHNICAL PERMISSIBLE LADEN MASS OF THIS MOTOR CARAVAN BE EXCEEDED.

Est = Estimated



CONTINUED...

Escape Specifications

Model	Escape 684 Standard	Escape 684 Standard Drop Down Bed & Travelling Seat	Escape 684 Optional
Roof Profile	Low Line		
Engine	120 MJT	120 MJT	130 MJT
Engine Capacity	2.3ltr		
Max Power	120 HP @ 2750rpm	120 HP @ 2750rpm	130 HP @ 3600rpm
Torque	320 Nm @ 1400rpm	320 Nm @ 1400rpm	320 Nm @ 1800rpm
Chassis	Fiat / Al-Ko Chassis		
Wheel base	4.30m / 14'1"		
Designated Passenger Seats (excluding Driver)	3	4	3
Berths (sleeping positions)	4	6	4
Overall Length (no ladder)	7.41m / 24'4"		
Overall Width (mirrors folded)	2.31m / 7'7"		
Overall Height	2.88m / 9'5"		
Maximum Technical Permissible Laden Mass (A)	3500kg		
Mass in Running Order (B)	2940kg	3040kg	2915kg
Maximum User Payload (A-B)	560kg	460kg	585kg
Unladen Weight	2809kg	2909kg	2782kg
Essential Habitation Equipment	0kg		
Thermal Insulation Grade	THREE		
Bed Sizes			
Front Double	209cm x 148cm / 103cm / 6'10" x 4'10" / 3'5"		
Front Nearside Single (Inc. Cab Seat)			
Front Offside Single (Inc. Cab Seat)			
Rear Double	208cm x 145cm / 6'10" x 4'9"		
Rear Nearside Single	192cm x 80cm / 6'4" x 2'7"		
Rear Offside Single	192cm x 80cm / 6'4" x 2'7"		
Rear Bunk (Upper)			
Rear Bunk (Lower)			
Drop Down Bed (Option)	193cm x 127cm / 6'4" x 4'2"		

NOTE: 1. **The Maximum User Payload** includes:

- the **conventional load** (this is the allowance for passengers)
- essential habitation equipment** (items and fluids required for safe and proper functioning of habitation equipment)
- optional equipment** (items available from the manufacturer over and above the standard specification)
- personal effects** (those items not covered by the above)

2. The **Mass in Running Order** is the mass of the unladen vehicle including a 75kg allowance for the driver plus engine coolants and 90% of the fuel tank and 1 x 6kg Calor Lite cylinder.

3. The MRO is calculated with the fresh water tank empty. If you travel with water in the fresh water tank then the payload will reduce accordingly.

4. PLEASE TAKE CARE TO ENSURE THAT YOU HAVE ALLOWED FOR THE MASSES OF ALL ITEMS YOU INTEND TO CARRY IN THE MOTOR CARAVAN, e.g. passengers, optional equipment, essential habitation equipment and personal effects, such as clothing, food, pets, bicycles, sailboards, sports equipment etc.

5. **WARNING - UNDER NO CIRCUMSTANCES SHOULD THE MAXIMUM TECHNICAL PERMISSIBLE LADEN MASS OF THIS MOTOR CARAVAN BE EXCEEDED.**

Est = Estimated

Escape 684 Optional Drop Down Bed & Travelling Seat	Escape 684 Optional	Escape 684 Optional Drop Down Bed & Travelling Seat	Escape 684 Optional	Escape 684 Optional Drop Down Bed & Travelling Seat
Low Line				
130 MJT	140 MJT	140 MJT	140 MJT Auto	140 MJT Auto
2.3ltr				
130 HP @ 3600rpm	140 HP @ 3500rpm	140 HP @ 3500rpm	140 HP @ 3500rpm	140 HP @ 3500rpm
320 Nm @ 1800rpm	350 Nm @ 1400rpm	350 Nm @ 1400rpm	350 Nm @ 1400rpm	350 Nm @ 1400rpm
Fiat / Al-Ko Chassis				
4.30m / 14'1"				
4	3	4	3	4
6	4	6	4	6
7.41m / 24'4"				
2.31m / 7'7"				
2.88m / 9'5"				
3500kg				
3015kg	2940kg	3040kg	2988kg	3088kg
485kg	560kg	460kg	512kg	412kg
2882kg	2809kg	2909kg	2857kg	2957kg
0kg				
THREE				
209cm x 148cm / 103cm / 6'10" x 4'10" / 3'5"				
208cm x 145cm / 6'10" x 4'9"				
192cm x 80cm / 6'4" x 2'7"				
192cm x 80cm / 6'4" x 2'7"				
193cm x 127cm / 6'4" x 4'2"				

Escape Specifications

Model	Escape 694 Standard	Escape 694 Standard Drop Down Bed & Travelling Seat	Escape 694 Optional
Roof Profile	Low Line		
Engine	120 MJT	120 MJT	130 MJT
Engine Capacity	2.3ltr		
Max Power	120 HP @ 2750rpm	120 HP @ 2750rpm	130 HP @ 3600rpm
Torque	320 Nm @ 1400rpm	320 Nm @ 1400rpm	320 Nm @ 1800rpm
Chassis	Fiat / Al-Ko Chassis		
Wheel base	4.30m / 14'1"		
Designated Passenger Seats (excluding Driver)	3	4	3
Berths (sleeping positions)	4	6	4
Overall Length (no ladder)	7.41m / 24'4"		
Overall Width (mirrors folded)	2.31m / 7'7"		
Overall Height	2.88m / 9'5"		
Maximum Technical Permissible Laden Mass (A)	3500kg		
Mass in Running Order (B)	2922kg	3022kg	2898kg
Maximum User Payload (A-B)	578kg	478kg	602kg
Unladen Weight	2791kg	2891kg	2765kg
Essential Habitation Equipment	0kg		
Thermal Insulation Grade	THREE		
Bed Sizes			
Front Double	209cm x 148cm / 103cm / 6'10" x 4'10" / 3'5"		
Front Nearside Single (Inc. Cab Seat)			
Front Offside Single (Inc. Cab Seat)			
Rear Double	183cm x 133cm / 6'0" x 4'4"		
Rear Nearside Single			
Rear Offside Single			
Rear Bunk (Upper)			
Rear Bunk (Lower)			
Drop Down Bed (Option)	193cm x 127cm / 6'4" x 4'2"		

NOTE: 1. **The Maximum User Payload** includes:

- the **conventional load** (this is the allowance for passengers)
- essential habitation equipment** (items and fluids required for safe and proper functioning of habitation equipment)
- optional equipment** (items available from the manufacturer over and above the standard specification)
- personal effects** (those items not covered by the above)

2. The **Mass in Running Order** is the mass of the unladen vehicle including a 75kg allowance for the driver plus engine coolants and 90% of the fuel tank and 1 x 6kg Calor Lite cylinder.

3. The MRO is calculated with the fresh water tank empty. If you travel with water in the fresh water tank then the payload will reduce accordingly.

4. PLEASE TAKE CARE TO ENSURE THAT YOU HAVE ALLOWED FOR THE MASSES OF ALL ITEMS YOU INTEND TO CARRY IN THE MOTOR CARAVAN, e.g. passengers, optional equipment, essential habitation equipment and personal effects, such as clothing, food, pets, bicycles, sailboards, sports equipment etc.

5. **WARNING** - UNDER NO CIRCUMSTANCES SHOULD THE MAXIMUM TECHNICAL PERMISSIBLE LADEN MASS OF THIS MOTOR CARAVAN BE EXCEEDED.

Est = Estimated

Escape 694 Optional Drop Down Bed & Travelling Seat	Escape 694 Optional	Escape 694 Optional Drop Down Bed & Travelling Seat	Escape 694 Optional	Escape 694 Optional Drop Down Bed & Travelling Seat
Low Line				
130 MJT	140 MJT	140 MJT	140 MJT Auto	140 MJT Auto
2.3ltr				
130 HP @ 3600rpm	140 HP @ 3500rpm	140 HP @ 3500rpm	140 HP @ 3500rpm	140 HP @ 3500rpm
320 Nm @ 1800rpm	350 Nm @ 1400rpm	350 Nm @ 1400rpm	350 Nm @ 1400rpm	350 Nm @ 1400rpm
Fiat / Al-Ko Chassis				
4.30m / 14'1"				
4	3	4	3	4
6	4	6	4	6
7.41m / 24'4"				
2.31m / 7'7"				
2.88m / 9'5"				
3500kg				
2998kg	2922kg	3022kg	2970kg	3070kg
502kg	578kg	478kg	530kg	430kg
2865kg	2791kg	2891kg	2839kg	2939kg
0kg				
THREE				
209cm x 148cm / 103cm / 6'10" x 4'10" / 3'5"				
183cm x 133cm / 6'0" x 4'4"				
193cm x 127cm / 6'4" x 4'2"				

Escape Compact & Escape Capacities

Water Tank Capacities

	Fresh Water Tank	Waste Water Tank	Water Heater
Escape Compact	100 litre	60 litre	10 litre
Escape (all models except 604)	100 litre	68 litre	10 litre
Escape 604	100 litre	60 litre	10 litre

LPG Locker Capacity

	Capacity
Escape Compact	2 x 6kg
Escape 604	2 x 6kg
Escape (all models except 604)	1 x 6kg + 1 x 13kg

NOTICE: For technical data on the base vehicle please refer to the manufacturer's handbook

Escape Compact & Escape Towing Capabilities

Escape Towing Capabilities

Model	MTPLM	Permissible Front Axle Load	Permissible Rear Axle Load	Recommended Maximum Trailer Weight	Gross Train Weight
Escape Compact C205	3300kg	1750kg	1900kg	2000kg	5300kg
Escape Compact C402	3300kg	1750kg	1900kg	2000kg	5300kg
Escape Compact C404	3300kg	1750kg	1900kg	2000kg	5300kg
Escape Compact C502	3300kg	1750kg	1900kg	2000kg	5300kg
Escape 604	3500kg	1850kg	2000kg	2000kg	5500kg
Escape 604	3650kg	1850kg	2000kg	2000kg	5650kg
Escape 612	3500kg	1850kg	2000kg	* 1600kg	5100kg
Escape 612	3650kg	1850kg	2000kg	* 1600kg	5250kg
Escape 614	3500kg	1850kg	2000kg	1600kg	5100kg
Escape 614	3650kg	1850kg	2000kg	1600kg	5250kg
Escape 622	3500kg	1850kg	2000kg	1600kg	5100kg
Escape 622	3650kg	1850kg	2000kg	1600kg	5250kg
Escape 664	3500kg	1850kg	2000kg	1600kg	5100kg
Escape 664	3650kg	1850kg	2000kg	1600kg	5250kg
Escape 674	3500kg	1850kg	2000kg	2000kg	5500kg
Escape 674	3650kg	1850kg	2000kg	2000kg	# 5500kg
Escape 675	3500kg	1850kg	2000kg	2000kg	5500kg
Escape 675	3650kg	1850kg	2000kg	2000kg	# 5500kg
Escape 684	3500kg	1850kg	2000kg	2000kg	5500kg
Escape 684	3650kg	1850kg	2000kg	2000kg	# 5500kg
Escape 694	3500kg	1850kg	2000kg	2000kg	5500kg
Escape 694	3650kg	1850kg	2000kg	2000kg	# 5500kg

Please note that the additional weight of the tow bar and trailer nose weight increases the rear axle loading of the motor home so care should be taken that the rear axle load is not exceeded when towing.

To ensure adequate road holding, the load on the front axle, under all conditions, must not be less than 40% or more than 70% of the total weight.

Care must be taken when distributing loads. The loadings and weights above are maximums and must not be exceeded under any circumstances.

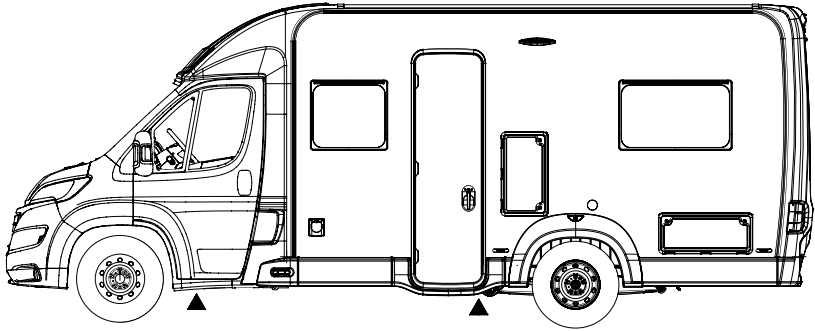
* With this vehicle configuration it will be necessary to reduce the payload carried inside the van when towing to ensure that the MTPLM and Maximum Axle Loads are not exceeded.

The Maximum Trailer Weight is limited by the Gross Train Weight which must not be exceeded. For example if the vehicle is at its maximum MTPLM of 3650kg, then the Maximum Trailer Weight possible is 1850kg. Reducing the weight of the vehicle by removing payload, will allow you to increase the trailer weight up to a maximum of 2000kg.

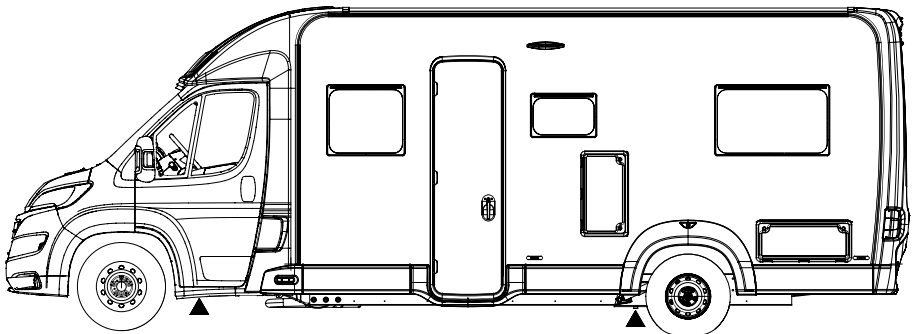
CAUTION: When fitting a towbar, it must meet certain minimum requirements as specified by Type Approval Regulations. The bar will have marked on it the approval standard (94/20/EC or 55R ECE) and the maximum download, or nose weight, that it can accept. It must fit the manufacturer's approved mounting points and must not obscure the towing vehicle's number plate.

Escape Compact & Escape Jacking

SWIFT ESCAPE



Jacking Points for: Escape Compact C205, C402, C404, & C502
Escape 604, 612, 614, 622 & 664: ▲



Jacking Points for: Escape 674, 675, 684, & 694 : ▲



Kon-Tiki Sport Specifications

Model	Kon-Tiki Sport 524 Standard	Kon-Tiki Sport 524 Optional
Roof Profile	High Line	
Engine	140 MJT	140 MJT Auto
Engine Capacity	2.3Ltr	
Max Power	140 HP @ 3500rpm	
Torque	350 Nm @ 1400rpm	
Chassis	MLWB Fiat Chassis	
Wheel base	3.80m/12'6"	
Designated Passenger Seats excluding Driver	3	
Berths (sleeping positions)	4	
Overall Length (no ladder)	5.99m/19'8"	
Overall Width (mirrors folded)	2.38m/7'10"	
Overall Height	2.82m/9'3"	
Maximum Technical Permissible Laden Mass (A)	3500kg	
Mass in Running Order (B)	3060kg Est	3093kg Est
Maximum User Payload (A-B)	440kg Est	407kg Est
Unladen Weight	2906kg Est	2939kg Est
Essential Habitation Equipment	0kg	
Thermal Insulation Grade	THREE	
Bed Sizes		
Front Double	209cm x 150cm / 103cm / 6'10" x 4'11" / 3'5"	
Front Nearside Single		
Front Offside Single		
Rear Double		
Rear Nearside Single		
Rear Offside Single		
Manual Drop Down Bed	190cm x 127cm / 6'3" x 4'2"	

NOTE: 1. The Maximum User Payload includes:

- the **conventional load** (this is the allowance for passengers)
- essential habitation equipment** (items and fluids required for safe and proper functioning of habitation equipment)
- optional equipment** (items available from the manufacturer over and above the standard specification)
- personal effects** (those items not covered by the above)

2. The **Mass in Running Order** is the mass of the unladen vehicle including a 75kg allowance for the driver plus engine coolants and 90% of the fuel tank and 1 x 6kg Calor Lite cylinder.

3. The MRO is calculated with the fresh water tank empty. If you travel with water in the fresh water tank then the payload will reduce accordingly.

4. PLEASE TAKE CARE TO ENSURE THAT YOU HAVE ALLOWED FOR THE MASSES OF ALL ITEMS YOU INTEND TO CARRY IN THE MOTOR CARAVAN, e.g. passengers, optional equipment, essential habitation equipment and personal effects, such as clothing, food, pets, bicycles, sailboards, sports equipment etc.

5. **WARNING** - UNDER NO CIRCUMSTANCES SHOULD THE MAXIMUM TECHNICAL PERMISSIBLE LADEN MASS OF THIS MOTOR CARAVAN BE EXCEEDED.

Est = Estimated

Kon-Tiki Sport 524 Optional	Kon-Tiki Sport 524 Optional	Kon-Tiki Sport 524 Optional
High Line		
150 MJT	160 MJT	160 MJT Auto
2.3Ltr		
150 HP @ 3600rpm	160 HP @ 3500rpm	
380 Nm @ 1500 rpm	380 Nm @ 1500 rpm	400 Nm @ 1500rpm
MLWB Fiat Chassis		
3.80m/12'6"		
3		
4		
5.99m/19'8"		
2.38m/7'10"		
2.82m/9'3"		
3500kg		
3043kg Est	3075kg Est	3093kg Est
457kg Est	425kg Est	407kg Est
2887kg Est	2921kg Est	2939kg Est
0kg		
THREE		
209cm x 150cm / 103cm / 6'10" x 4'11" / 3'5"		
190cm x 127cm / 6'3" x 4'2"		

Kon-Tiki Sport Specifications

Model	Kon-Tiki Sport 560 Standard	Kon-Tiki Sport 560 Optional
Roof Profile	Low Line	
Engine	140 MJT	140 MJT Auto
Engine Capacity	2.3ltr	
Max Power	140 HP @ 3500rpm	
Torque	350Nm @ 1400rpm	
Chassis	LWB Fiat Chassis	
Wheel base	4.04m / 13'3"	
Designated Passenger Seats (excluding Driver)	3	
Berths (sleeping positions)	4	
Overall Length (no ladder)	7.09m / 23'3"	
Overall Width (mirrors folded)	2.38m / 7'10"	
Overall Height	2.82m / 9'3"	
Maximum Technical Permissible Laden Mass (A)	3500kg	3650kg
Mass in Running Order (B)	3157kg Est	3190kg Est
Maximum User Payload (A-B)	343kg Est	460kg Est
Unladen Weight	3003kg Est	3036kg Est
Essential Habitation Equipment	0kg	
Thermal Insulation Grade	THREE	
Bed Sizes		
Front Double	209cm x 123cm / 103cm / 6'10" x 4'0" / 3'5"	
Front Nearside Single (Inc. Cab Seat)		
Front Offside Single (Inc. Cab Seat)		
Rear Double	190cm x 126cm / 6'3" x 4'2"	
Rear Nearside Single		
Rear Offside Single		
Rear Bunk (Upper)		
Rear Bunk (Lower)		
Drop Down Bed		

NOTE: 1. **The Maximum User Payload** includes:

- the **conventional load** (this is the allowance for passengers)
- essential habitation equipment** (items and fluids required for safe and proper functioning of habitation equipment)
- optional equipment** (items available from the manufacturer over and above the standard specification)
- personal effects** (those items not covered by the above)

2. The **Mass in Running Order** is the mass of the unladen vehicle including a 75kg allowance for the driver plus engine coolants and 90% of the fuel tank and 1 x 6kg Calor Lite cylinder.

3. The MRO is calculated with the fresh water tank empty. If you travel with water in the fresh water tank then the payload will reduce accordingly.

4. PLEASE TAKE CARE TO ENSURE THAT YOU HAVE ALLOWED FOR THE MASSES OF ALL ITEMS YOU INTEND TO CARRY IN THE MOTOR CARAVAN, e.g. passengers, optional equipment, essential habitation equipment and personal effects, such as clothing, food, pets, bicycles, sailboards, sports equipment etc.

5. **WARNING** - UNDER NO CIRCUMSTANCES SHOULD THE MAXIMUM TECHNICAL PERMISSIBLE LADEN MASS OF THIS MOTOR CARAVAN BE EXCEEDED.

Est = Estimated

Kon-Tiki Sport 560 Optional	Kon-Tiki Sport 560 Optional
Low Line	
160 MJT	160 MJT Auto
2.3ltr	
160 HP @ 3500rpm	
380 Nm @ 1500rpm	400 Nm @ 1500rpm
LWB Fiat Chassis	
4.04m / 13'3"	
3	
4	
7.09m / 23'3"	
2.38m / 7'10"	
2.82m / 9'3"	
3650kg	
3172kg Est	3190kg Est
478kg Est	460kg Est
3018kg Est	3036kg Est
0kg	
THREE	
209cm x 123cm / 103cm / 6'10" x 4'0" / 3'5"	
190cm x 126cm / 6'3" x 4'2"	

Kon-Tiki Sport 560 Lounge Optional	Kon-Tiki Sport 560 Lounge Optional	Kon-Tiki Sport 560 Lounge Optional
Low Line		
150 MJT	160 MJT	160 MJT Auto
2.3ltr		
150 HP @ 3600rpm	160 HP @ 3500rpm	
380 Nm @ 1500rpm	380 Nm @ 1500rpm	400 Nm @ 1500rpm
LWB Fiat Chassis		
4.04m / 13'3"		
1		
4		
7.09m / 23'3"		
2.38m / 7'10"		
2.82m / 9'3"		
3500kg		
3112kg	3132kg Est	3150kg Est
388kg	368kg Est	350kg Est
2956kg	2978kg Est	2996kg Est
0kg		
THREE		
201cm x 120cm / 103cm / 6'7" x 3'11" / 3'5"		
190cm x 126cm / 6'3" x 4'2"		

Kon-Tiki Sport Specifications

Model	Kon-Tiki Sport 562 Standard	Kon-Tiki Sport 562 Optional
Roof Profile	High Line	
Engine	140 MJT	140 MJT Auto
Engine Capacity	2.3ltr	
Max Power	140 HP @ 3500rpm	
Torque	350Nm @ 1400rpm	
Chassis	MWB Fiat Chassis	
Wheel base	3.45m / 11'4"	
Designated Passenger Seats (excluding Driver)	1	
Berths (sleeping positions)	2	
Overall Length (no ladder)	6.54m / 21'5"	
Overall Width (mirrors folded)	2.38m / 7'10"	
Overall Height	2.82m / 9'3"	
Maximum Technical Permissible Laden Mass (A)	3500kg	
Mass in Running Order (B)	3035kg Est	3068kg Est
Maximum User Payload (A-B)	465kg Est	432kg Est
Unladen Weight	2881kg Est	2914kg Est
Essential Habitation Equipment	0kg	
Thermal Insulation Grade	THREE	
Bed Sizes		
Front Double		
Front Nearside Single (Inc. Cab Seat)		
Front Offside Single (Inc. Cab Seat)		
Rear Double	202cm x 182cm / 6'8" x 6'0"	
Rear Nearside Single	182cm x 69cm / 6'0" x 2'3"	
Rear Offside Single	182cm x 69cm / 6'0" x 2'3"	
Rear Bunk (Upper)		
Rear Bunk (Lower)		
Drop Down Bed		

NOTE: 1. The Maximum User Payload includes:

- the **conventional load** (this is the allowance for passengers)
- essential habitation equipment** (items and fluids required for safe and proper functioning of habitation equipment)
- optional equipment** (items available from the manufacturer over and above the standard specification)
- personal effects** (those items not covered by the above)

2. The **Mass in Running Order** is the mass of the unladen vehicle including a 75kg allowance for the driver plus engine coolants and 90% of the fuel tank and 1 x 6kg Calor Lite cylinder.

3. The MRO is calculated with the fresh water tank empty. If you travel with water in the fresh water tank then the payload will reduce accordingly.

4. PLEASE TAKE CARE TO ENSURE THAT YOU HAVE ALLOWED FOR THE MASSES OF ALL ITEMS YOU INTEND TO CARRY IN THE MOTOR CARAVAN, e.g. passengers, optional equipment, essential habitation equipment and personal effects, such as clothing, food, pets, bicycles, sailboards, sports equipment etc.

5. **WARNING** - UNDER NO CIRCUMSTANCES SHOULD THE MAXIMUM TECHNICAL PERMISSIBLE LADEN MASS OF THIS MOTOR CARAVAN BE EXCEEDED.

Est = Estimated

Kon-Tiki Sport 562 Optional	Kon-Tiki Sport 562 Optional	Kon-Tiki Sport 562 Optional
High Line		
150 MJT	160 MJT	160 MJT Auto
2.3ltr		
150 HP @ 3600rpm	160 HP @ 3500rpm	
380 Nm @ 1500rpm	380 Nm @ 1500rpm	400 Nm @ 1500rpm
MWB Flat Chassis		
3.45m / 11'4"		
1		
2		
6.54m / 21'5"		
2.38m / 7'10"		
2.82m / 9'3"		
3500kg		
3028kg	3050kg Est	3068kg Est
472kg	450kg Est	432kg Est
2872kg	2896kg Est	2914kg Est
0kg		
THREE		
202cm x 182cm / 6'8" x 6'0"		
182cm x 69cm / 6'0" x 2'3"		
182cm x 69cm / 6'0" x 2'3"		

Kon-Tiki Sport Specifications

Model	Kon-Tiki Sport 574 Standard	Kon-Tiki Sport 574 Optional
Roof Profile	Low Line	
Engine	140 MJT	140 MJT Auto
Engine Capacity	2.3ltr	
Max Power	140 HP @ 3500rpm	
Torque	350Nm @ 1400rpm	
Chassis	Fiat / Al-Ko Chassis	
Wheel base	4.40m / 14'5"	
Designated Passenger Seats (excluding Driver)	3	
Berths (sleeping positions)	4	
Overall Length (no ladder)	7.77m / 25'6"	
Overall Width (mirrors folded)	2.38m / 7'10"	
Overall Height	2.76m / 9'1"	
Maximum Technical Permissible Laden Mass (A)	4250kg	
Mass in Running Order (B)	3345kg Est	3378kg Est
Maximum User Payload (A-B)	905kg Est	872kg Est
Unladen Weight	3191kg Est	3224kg Est
Essential Habitation Equipment	0kg	
Thermal Insulation Grade	THREE	
Bed Sizes		
Front Double	209cm x 123cm / 103cm / 6'10" x 4'0" / 3'5"	
Front Nearside Single (Inc. Cab Seat)		
Front Offside Single (Inc. Cab Seat)		
Rear Double		
Rear Nearside Single	201cm x 75cm / 6'7" x 2'5"	
Rear Offside Single	192cm x 75cm / 6'4" x 2'5"	
Rear Bunk (Upper)		
Rear Bunk (Lower)		
Drop Down Bed		

NOTE: 1. **The Maximum User Payload** includes:

- the **conventional load** (this is the allowance for passengers)
- essential habitation equipment** (items and fluids required for safe and proper functioning of habitation equipment)
- optional equipment** (items available from the manufacturer over and above the standard specification)
- personal effects** (those items not covered by the above)

2. The **Mass in Running Order** is the mass of the unladen vehicle including a 75kg allowance for the driver plus engine coolants and 90% of the fuel tank and 1 x 6kg Calor Lite cylinder.

3. The MRO is calculated with the fresh water tank empty. If you travel with water in the fresh water tank then the payload will reduce accordingly.

4. PLEASE TAKE CARE TO ENSURE THAT YOU HAVE ALLOWED FOR THE MASSES OF ALL ITEMS YOU INTEND TO CARRY IN THE MOTOR CARAVAN, e.g. passengers, optional equipment, essential habitation equipment and personal effects, such as clothing, food, pets, bicycles, sailboards, sports equipment etc.

5. **WARNING** - UNDER NO CIRCUMSTANCES SHOULD THE MAXIMUM TECHNICAL PERMISSIBLE LADEN MASS OF THIS MOTOR CARAVAN BE EXCEEDED.

Est = Estimated

Kon-Tiki Sport 574 Optional	Kon-Tiki Sport 574 Optional	Kon-Tiki Sport 574 Optional
Low Line		
150 MJT	160 MJT	160 MJT Auto
2.3ltr		
150 HP @ 3600rpm	160 HP @ 3500rpm	
380 Nm @ 1500rpm	380 Nm @ 1500rpm	400 Nm @ 1500rpm
Fiat / Al-Ko Chassis		
4.40m / 14'5"		
3		
4		
7.77m / 25'6"		
2.38m / 7'10"		
2.76m / 9'1"		
3850kg	4250kg	
3270kg	3360kg Est	3378kg Est
580kg	890kg Est	872kg Est
3114kg	3206kg Est	3224kg Est
0kg		
THREE		
209cm x 123cm / 103cm / 6'10" x 4'0" / 3'5"		
201cm x 75cm / 6'7" x 2'5"		
192cm x 75cm / 6'4" x 2'5"		

Kon-Tiki Sport 574 Lounge Optional	Kon-Tiki Sport 574 Lounge Optional	Kon-Tiki Sport 574 Lounge Optional
Low Line		
150 MJT	160 MJT	160 MJT Auto
2.3ltr		
150 HP @ 3600rpm	160 HP @ 3500rpm	
380 Nm @ 1500rpm	380 Nm @ 1500rpm	400 Nm @ 1500rpm
Fiat / Al-Ko Chassis		
4.40m / 14'5"		
1		
4		
7.77m / 25'6"		
2.38m / 7'10"		
2.76m / 9'1"		
3500kg		
3224kg	3262kg Est	3295kg Est
276kg	238kg Est	205kg Est
3068kg	3108kg Est	3141kg Est
0kg		
THREE		
201cm x 120cm / 103cm / 6'7" x 3'11" / 3'5"		
201cm x 75cm / 6'7" x 2'5"		
192cm x 75cm / 6'4" x 2'5"		

Kon-Tiki Sport Specifications

Model	Kon-Tiki Sport 584 Standard	Kon-Tiki Sport 584 Optional
Roof Profile	Low Line	
Engine	140 MJT	140 MJT Auto
Engine Capacity	2.3ltr	
Max Power	140 HP @ 3500rpm	
Torque	350Nm @ 1400rpm	
Chassis	Fiat / Al-Ko Chassis	
Wheel base	4.40m / 14'5"	
Designated Passenger Seats (excluding Driver)	3	
Berths (sleeping positions)	4	
Overall Length (no ladder)	7.77m / 25'6"	
Overall Width (mirrors folded)	2.38m / 7'10"	
Overall Height	2.76m / 9'1"	
Maximum Technical Permissible Laden Mass (A)	4250kg	
Mass in Running Order (B)	3295kg Est	3328kg Est
Maximum User Payload (A-B)	955kg Est	922kg Est
Unladen Weight	3141kg Est	3174kg Est
Essential Habitation Equipment	0kg	
Thermal Insulation Grade	THREE	
Bed Sizes		
Front Double	209cm x 123cm / 103cm / 6'10" x 4'0" / 3'5"	
Front Nearside Single (Inc. Cab Seat)		
Front Offside Single (Inc. Cab Seat)		
Rear Double	199cm x 131cm / 6'6" x 4'4"	
Rear Nearside Single		
Rear Offside Single		
Rear Bunk (Upper)		
Rear Bunk (Lower)		
Drop Down Bed		

NOTE: 1. **The Maximum User Payload** includes:

- the **conventional load** (this is the allowance for passengers)
- essential habitation equipment** (items and fluids required for safe and proper functioning of habitation equipment)
- optional equipment** (items available from the manufacturer over and above the standard specification)
- personal effects** (those items not covered by the above)

2. The **Mass in Running Order** is the mass of the unladen vehicle including a 75kg allowance for the driver plus engine coolants and 90% of the fuel tank and 1 x 6kg Calor Lite cylinder.

3. The MRO is calculated with the fresh water tank empty. If you travel with water in the fresh water tank then the payload will reduce accordingly.

4. PLEASE TAKE CARE TO ENSURE THAT YOU HAVE ALLOWED FOR THE MASSES OF ALL ITEMS YOU INTEND TO CARRY IN THE MOTOR CARAVAN, e.g. passengers, optional equipment, essential habitation equipment and personal effects, such as clothing, food, pets, bicycles, sailboards, sports equipment etc.

5. **WARNING** - UNDER NO CIRCUMSTANCES SHOULD THE MAXIMUM TECHNICAL PERMISSIBLE LADEN MASS OF THIS MOTOR CARAVAN BE EXCEEDED.

Est = Estimated

Kon-Tiki Sport 584 Optional	Kon-Tiki Sport 584 Optional	Kon-Tiki Sport 574 Optional
Low Line		
150 MJT	160 MJT	160 MJT Auto
2.3ltr		
150 HP @ 3600rpm	160 HP @ 3500rpm	
380 Nm @ 1500rpm	380 Nm @ 1500rpm	400 Nm @ 1500rpm
Fiat / Al-Ko Chassis		
4.40m / 14'5"		
3		
4		
7.77m / 25'6"		
2.38m / 7'10"		
2.76m / 9'1"		
3850kg	4250kg	
3253kg	3310kg Est	3328kg Est
597kg	940kg Est	922kg Est
3097kg	3156kg Est	3174kg Est
0kg		
THREE		
209cm x 123cm / 103cm / 6'10" x 4'0" / 3'5"		
199cm x 131cm / 6'6" x 4'4"		

Kon-Tiki Sport 584 Lounge Optional	Kon-Tiki Sport 584 Lounge Optional	Kon-Tiki Sport 584 Lounge Optional
Low Line		
150 MJT	160 MJT	160 MJT Auto
2.3ltr		
150 HP @ 3600rpm	160 HP @ 3500rpm	
380 Nm @ 1500rpm	380 Nm @ 1500rpm	400 Nm @ 1500rpm
Fiat / Al-Ko Chassis		
4.40m / 14'5"		
1		
4		
7.77m / 25'6"		
2.38m / 7'10"		
2.76m / 9'1"		
3500kg		
3187kg	3215kg Est	3248kg Est
313kg	285kg Est	252kg Est
3031kg	3061kg Est	3094kg Est
0kg		
THREE		
201cm x 120cm / 103cm / 6'7" x 3'11" / 3'5"		
199cm x 131cm / 6'6" x 4'4"		

Kon-Tiki Sport Specifications

Model	Kon-Tiki Sport 596 Standard	Kon-Tiki Sport 596 Optional
Roof Profile	High Line	
Engine	140 MJT	140 MJT Auto
Engine Capacity	2.3ltr	
Max Power	140 HP @ 3500rpm	
Torque	350Nm @ 1400rpm	
Chassis	Fiat / Al-Ko Chassis	
Wheel base	4.70m / 15'5"	
Designated Passenger Seats (excluding Driver)	5	
Berths (sleeping positions)	6	
Overall Length (no ladder)	8.11m / 26'7"	
Overall Width (mirrors folded)	2.38m / 7'10"	
Overall Height	2.82m / 9'3"	
Maximum Technical Permissible Laden Mass (A)	4250kg	
Mass in Running Order (B)	3497kg Est	3530kg Est
Maximum User Payload (A-B)	753kg Est	720kg Est
Unladen Weight	3343kg Est	3376kg Est
Essential Habitation Equipment	0kg	
Thermal Insulation Grade	THREE	
Bed Sizes		
Front Double	209cm x 180cm / 121cm / 6'10" x 5'11" / 4'0"	
Front Nearside Single (Inc. Cab Seat)		
Front Offside Single (Inc. Cab Seat)		
Rear Double	202cm x 163cm / 6'8" x 5'4"	
Rear Nearside Single	173cm x 69cm / 5'8" x 2'3"	
Rear Offside Single	163cm x 69cm / 5'4" x 2'3"	
Rear Bunk (Upper)		
Rear Bunk (Lower)		
Drop Down Bed	196cm x 133cm / 6'5" x 4'4"	

NOTE: 1. The Maximum User Payload includes:

- the **conventional load** (this is the allowance for passengers)
- essential habitation equipment** (items and fluids required for safe and proper functioning of habitation equipment)
- optional equipment** (items available from the manufacturer over and above the standard specification)
- personal effects** (those items not covered by the above)

2. The **Mass in Running Order** is the mass of the unladen vehicle including a 75kg allowance for the driver plus engine coolants and 90% of the fuel tank and 1 x 6kg Calor Lite cylinder.

3. The MRO is calculated with the fresh water tank empty. If you travel with water in the fresh water tank then the payload will reduce accordingly.

4. PLEASE TAKE CARE TO ENSURE THAT YOU HAVE ALLOWED FOR THE MASSES OF ALL ITEMS YOU INTEND TO CARRY IN THE MOTOR CARAVAN, e.g. passengers, optional equipment, essential habitation equipment and personal effects, such as clothing, food, pets, bicycles, sailboards, sports equipment etc.

5. **WARNING** - UNDER NO CIRCUMSTANCES SHOULD THE MAXIMUM TECHNICAL PERMISSIBLE LADEN MASS OF THIS MOTOR CARAVAN BE EXCEEDED.

Est = Estimated

Kon-Tiki Sport 596 Optional	Kon-Tiki Sport 596 Optional	Kon-Tiki Sport 596 Optional
High Line		
150 MJT	160 MJT	160 MJT Auto
2.3ltr		
150 HP @ 3600rpm	160 HP @ 3500rpm	
380 Nm @ 1500rpm	380 Nm @ 1500rpm	400 Nm @ 1500rpm
Fiat / Al-Ko Chassis		
4.70m / 15'5"		
5		
6		
8.11m / 26'7"		
2.38m / 7'10"		
2.82m / 9'3"		
4250kg		
3412kg	3512kg Est	3530kg Est
838kg	738kg Est	720kg Est
3256kg	3358kg Est	3376kg Est
0kg		
THREE		
209cm x 180cm / 121cm / 6'10" x 5'11" / 4'0"		
202cm x 163cm / 6'8" x 5'4"		
173cm x 69cm / 5'8" x 2'3"		
163cm x 69cm / 5'4" x 2'3"		
196cm x 133cm / 6'5" x 4'4"		

Kon-Tiki Sport Specifications

Model	Kon-Tiki Sport 597 Standard	Kon-Tiki Sport 597 Optional
Roof Profile	Low Line	
Engine	140 MJT	140 MJT Auto
Engine Capacity	2.3ltr	
Max Power	140 HP @ 3500rpm	
Torque	350Nm @ 1400rpm	
Chassis	Fiat / Al-Ko Chassis	
Wheel base	4.70m / 15'5"	
Designated Passenger Seats (excluding Driver)	3	
Berths (sleeping positions)	4	
Overall Length (no ladder)	8.11m / 26'7"	
Overall Width (mirrors folded)	2.38m / 7'10"	
Overall Height	2.76m / 9'1"	
Maximum Technical Permissible Laden Mass (A)	4250kg	
Mass in Running Order (B)	3425kg Est	3458kg Est
Maximum User Payload (A-B)	825kg Est	792kg Est
Unladen Weight	3271kg Est	3304kg Est
Essential Habitation Equipment	0kg	
Thermal Insulation Grade	THREE	
Bed Sizes		
Front Double	209cm x 123cm / 103cm / 6'10" x 4'0" / 3'5"	
Front Nearside Single (Inc. Cab Seat)		
Front Offside Single (Inc. Cab Seat)		
Rear Double	216cm x 120cm / 7'1" x 3'11"	
Rear Nearside Single	199cm x 81cm / 6'6" x 2'8"	
Rear Offside Single	199cm x 81cm / 6'6" x 2'8"	
Rear Bunk (Upper)		
Rear Bunk (Lower)		
Drop Down Bed		

NOTE: 1. The Maximum User Payload includes:

- the **conventional load** (this is the allowance for passengers)
- essential habitation equipment** (items and fluids required for safe and proper functioning of habitation equipment)
- optional equipment** (items available from the manufacturer over and above the standard specification)
- personal effects** (those items not covered by the above)

2. The **Mass in Running Order** is the mass of the unladen vehicle including a 75kg allowance for the driver plus engine coolants and 90% of the fuel tank and 1 x 6kg Calor Lite cylinder.

3. The MRO is calculated with the fresh water tank empty. If you travel with water in the fresh water tank then the payload will reduce accordingly.

4. PLEASE TAKE CARE TO ENSURE THAT YOU HAVE ALLOWED FOR THE MASSES OF ALL ITEMS YOU INTEND TO CARRY IN THE MOTOR CARAVAN, e.g. passengers, optional equipment, essential habitation equipment and personal effects, such as clothing, food, pets, bicycles, sailboards, sports equipment etc.

5. **WARNING** - UNDER NO CIRCUMSTANCES SHOULD THE MAXIMUM TECHNICAL PERMISSIBLE LADEN MASS OF THIS MOTOR CARAVAN BE EXCEEDED.

Est = Estimated

Kon-Tiki Sport 597 Optional	Kon-Tiki Sport 597 Optional	Kon-Tiki Sport 597 Optional
Low Line		
150 MJT	160 MJT	160 MJT Auto
2.3ltr		
150 HP @ 3600rpm	160 HP @ 3500rpm	
380 Nm @ 1500rpm	380 Nm @ 1500rpm	400 Nm @ 1500rpm
Fiat / Al-Ko Chassis		
4.70m / 15'5"		
3		
4		
8.11m / 26'7"		
2.38m / 7'10"		
2.76m / 9'1"		
3850kg	4250kg	
3337kg	3440kg Est	3458kg Est
513kg	810kg Est	792kg Est
3181kg	3286kg Est	3304kg Est
0kg		
THREE		
209cm x 123cm / 103cm / 6'10" x 4'0" / 3'5"		
216cm x 120cm / 7'1" x 3'11"		
199cm x 81cm / 6'6" x 2'8"		
199cm x 81cm / 6'6" x 2'8"		

Kon-Tiki Sport 597 Lounge Optional	Kon-Tiki Sport 597 Lounge Optional	Kon-Tiki Sport 597 Lounge Optional
Low Line		
150 MJT	160 MJT	160 MJT Auto
2.3ltr		
150 HP @ 3600rpm	160 HP @ 3500rpm	
380 Nm @ 1500rpm	380 Nm @ 1500rpm	400 Nm @ 1500rpm
Fiat / Al-Ko Chassis		
4.70m / 15'5"		
1		
4		
8.11m / 26'7"		
2.38m / 7'10"		
2.76m / 9'1"		
3500kg	4250kg	
3287kg	3390kg Est	3408kg Est
213kg	860kg Est	842kg Est
3131kg	3236kg Est	3254kg Est
0kg		
THREE		
201cm x 120cm / 103cm / 6'7" x 3'11" / 3'5"		
216cm x 120cm / 7'1" x 3'11"		
199cm x 81cm / 6'6" x 2'8"		
199cm x 81cm / 6'6" x 2'8"		

Kon-Tiki Sport 599 Optional	Kon-Tiki Sport 599 Optional	Kon-Tiki Sport 599 Optional
Low Line		
150 MJT	160 MJT	160 MJT Auto
2.3ltr		
150 HP @ 3600rpm	160 HP @ 3500rpm	
380 Nm @ 1500rpm	380 Nm @ 1500rpm	400 Nm @ 1500rpm
Fiat / Al-Ko Chassis		
4.70m / 15'5"		
3		
4		
8.11m / 26'7"		
2.38m / 7'10"		
2.76m / 9'1"		
3850kg	4250kg	
3336kg	3420kg Est	3438kg Est
514kg	830kg Est	812kg Est
3180kg	3266kg Est	3284kg Est
0kg		
THREE		
209cm x 123cm / 103cm / 6'10" x 4'0" / 3'5"		
200cm x 133cm / 6'7" x 4'5"		

Kon-Tiki Sport 599 Lounge Optional	Kon-Tiki Sport 599 Lounge Optional	Kon-Tiki Sport 599 Lounge Optional
Low Line		
150 MJT	160 MJT	160 MJT Auto
2.3ltr		
150 HP @ 3600rpm	160 HP @ 3500rpm	
380 Nm @ 1500rpm	380 Nm @ 1500rpm	400 Nm @ 1500rpm
Fiat / Al-Ko Chassis		
4.70m / 15'5"		
1		
4		
8.11m / 26'7"		
2.38m / 7'10"		
2.76m / 9'1"		
3500kg	4250kg	
3286kg	3370kg Est	3388kg Est
214kg	880kg Est	862kg Est
3130kg	3216kg Est	3234kg Est
0kg		
THREE		
201cm x 120cm / 103cm / 6'7" x 3'11" / 3'5"		
200cm x 133cm / 6'7" x 4'5"		

Kon-Tiki Sport Capacities

Water Tank Capacities

	Fresh Water Tank	Waste Water Tank	Water Heater
Kon-Tiki Sport	90 litre	68 litre	10 litre
Kon-Tiki Sport 524	90 litre	60 litre	10 litre
Kon-Tiki Sport 562	94 litre	60 litre	10 litre

LPG Locker Capacity

	Capacity
Kon-Tiki Sport	2 x 13kg
Kon-Tiki Sport 524	2 x 6kg

Note: For technical data on the base vehicle please refer to the manufacturer's handbook

Kon-Tiki Sport Towing Capabilities

Kon-Tiki Sport Towing Capabilities

Model	MTPLM	Permissible Front Axle Load	Permissible Rear Axle Load	Recommended Maximum Trailer Weight	Gross Train Weight
Kon-Tiki Sport 524	3500kg	1850kg	2000kg	2000kg*	5500kg
Kon-Tiki Sport 524	3650kg	1850kg	2000kg	2000kg*	5650kg
Kon-Tiki Sport 560	3500kg	1850kg	2000kg	1600kg	5100kg
Kon-Tiki Sport 560	3650kg	1850kg	2000kg	1600kg	5250kg
Kon-Tiki Sport 560 Lounge	3500kg	1850kg	2000kg	1600kg	5100kg
Kon-Tiki Sport 560 Lounge	3650kg	1850kg	2000kg	1600kg	5250kg
Kon-Tiki Sport 562	3500kg	1850kg	2000kg	1600kg*	5100kg
Kon-Tiki Sport 562	3650kg	1850kg	2000kg	1600kg*	5250kg
Kon-Tiki Sport 574	4250kg	2100kg	2500kg	2000kg#	6000kg
Kon-Tiki Sport 574 Lounge	3500kg	1850kg	2000kg	2000kg	5500kg
Kon-Tiki Sport 574 Lounge	3650kg	1850kg	2000kg	2000kg#	5500kg
Kon-Tiki Sport 584	4250kg	2100kg	2500kg	2000kg#	6000kg
Kon-Tiki Sport 584 Lounge	3500kg	1850kg	2000kg	2000kg	5500kg
Kon-Tiki Sport 584 Lounge	3650kg	1850kg	2000kg	2000kg#	5500kg
Kon-Tiki Sport 596	4250kg	2100kg	2500kg	2000kg#	6000kg
Kon-Tiki Sport 597	4250kg	2100kg	2500kg	2000kg#	6000kg
Kon-Tiki Sport 597 Lounge	4250kg	2100kg	2500kg	2000kg#	6000kg
Kon-Tiki Sport 599	4250kg	2100kg	2500kg	2000kg#	6000kg
Kon-Tiki Sport 599 Lounge	4250kg	2100kg	2500kg	2000kg#	6000kg

Please note that the additional weight of the tow bar and trailer nose weight increases the rear axle loading of the motor home so care should be taken that the rear axle load is not exceeded when towing.

To ensure adequate road holding, the load on the front axle, under all conditions, must not be less than 40% or more than 70% of the total weight.

Care must be taken when distributing loads. The loadings and weights above are maximums and must not be exceeded under any circumstances.

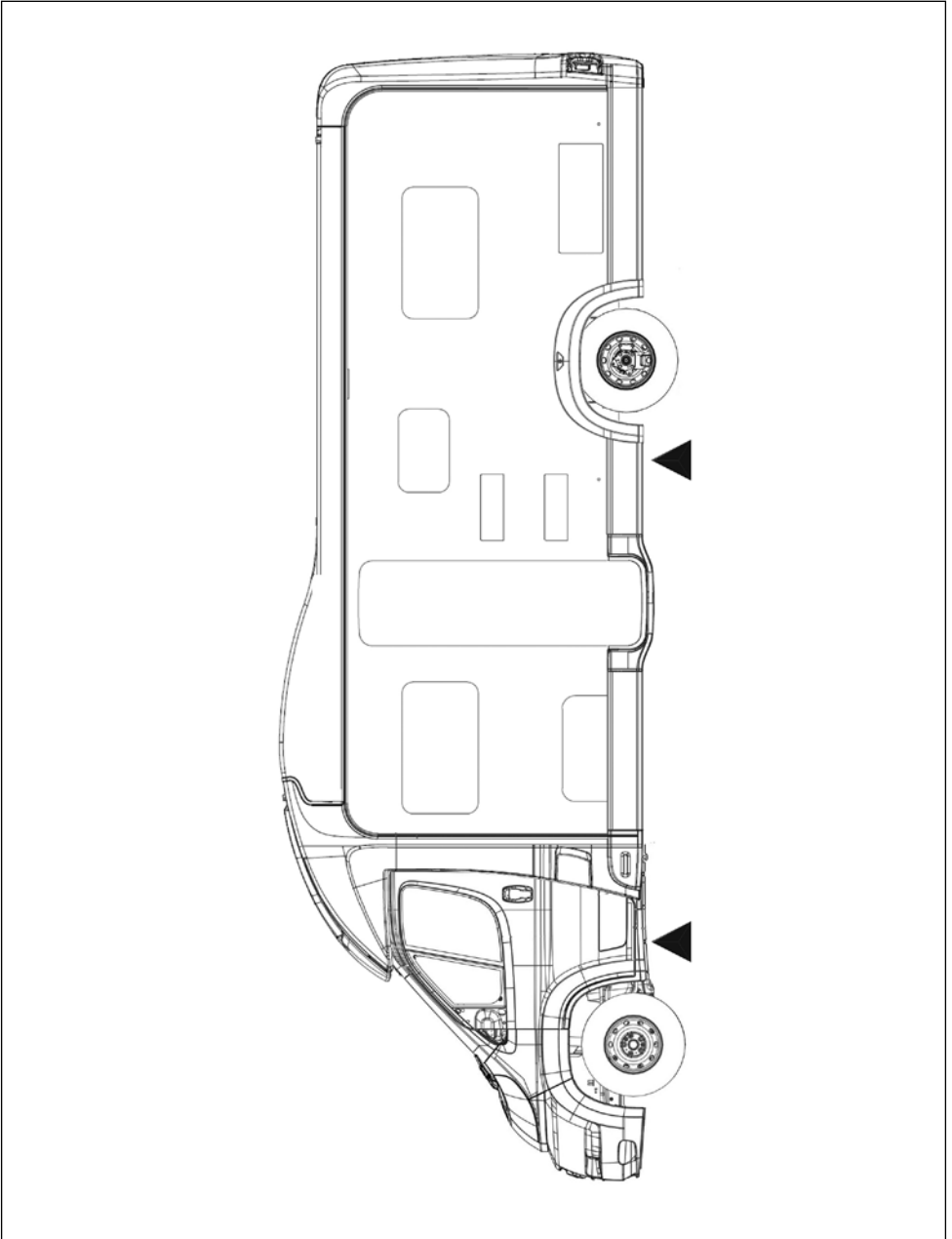
* With this vehicle configuration it will be necessary to reduce the payload carried inside the van when towing to ensure that the MTPLM and Maximum Axle Loads are not exceeded.

The Maximum Trailer Weight is limited by the Gross Train Weight which must not be exceeded. For example if a vehicle with a train weight of 5500kg is loaded to the maximum MTPLM of 3650kg then the maximum trailer weight possible is 1850kg. Reducing the weight of the vehicle by removing payload, will allow you to increase the trailer weight up to a maximum of 2000kg.

CAUTION: When fitting a towbar, it must meet certain minimum requirements as specified by Type Approval Regulations. The bar will have marked on it the approval standard (94/20/EC or 55R ECE) and the maximum download, or nose weight, that it can accept. It must fit the manufacturer's approved mounting points and must not obscure the towing vehicle's number plate.

Kon-Tiki Sport Jacking

Kon-Tiki Sport Points





Kon-Tiki 625 Euro 6B Standard	Kon-Tiki 625 Euro 6B Optional
High Line	
150 MJT	150 MJT Auto
2.3ltr	
150 HP @ 3600rpm	
380 Nm @ 1500rpm	
Fiat / Al-Ko Chassis	
4.60m / 15'1"	
3	
6	
8.19m / 26'10"	
2.35m / 7'9"	
3.13m / 10'3"	
4250kg	
3760kg	3777kg Est
490kg	473kg Est
3604kg	3621kg Est
0kg	
THREE	
209cm x 112cm / 6'10" x 3'8"	
192cm x 143cm / 6'4" x 4'8"	
190cm x 134cm / 6'3" x 4'5"	

Kon-Tiki 625 Standard	Kon-Tiki 625 Optional
Low Line	
180 MJT	180 MJT Auto
2.3ltr	
178 HP @ 3500rpm	178 HP @ 3500rpm
400 Nm @ 1500rpm	450 Nm @ 1500rpm
Fiat / Al-Ko Chassis	
4.60m / 15'1"	
3	
4	
8.19m / 26'10"	
2.35m / 7'9"	
3.02m / 9'11"	
4250kg	
3765kg Est	3783kg Est
485kg Est	467kg Est
3611kg Est	3629kg Est
0kg	
THREE	
209cm x 112cm / 6'10" x 3'8"	
192cm x 143cm / 6'4" x 4'8"	

Kon-Tiki Specifications

Model	Kon-Tiki 625 Standard	Kon-Tiki 625
Roof Profile	High Line	
Engine	160 MJT	160 MJT Auto
Engine Capacity	2.3ltr	
Max Power	160 HP @ 3500rpm	160 HP @ 3500rpm
Torque	380 Nm @ 1500rpm	400 Nm @ 1500rpm
Chassis	Fiat / Al-Ko Chassis	
Wheel base	4.60m / 15'1"	
Designated Passenger Seats (excluding Driver)	3	
Berths (sleeping positions)	6	
Overall Length (no ladder)**	8.19m / 26'10"	
Overall Width (mirrors folded)	2.35m / 7'9"	
Overall Height**	3.13m / 10'3"	
Maximum Technical Permissible Laden Mass (A)	4250kg	
Mass in Running Order (B)	3815kg Est	3833kg Est
Maximum User Payload (A-B)	435kg Est	417kg Est
Unladen Weight	3661kg Est	3679kg Est
Essential Habitation Equipment	0kg	
Thermal Insulation Grade	THREE	
Bed Sizes		
Front Double	209cm x 112cm / 6'10" x 3'8"	
Front Nearside Single (Inc. Cab Seat)		
Front Offside Single (Inc. Cab Seat)		
Rear Double	192cm x 143cm / 6'4" x 4'8"	
Rear Nearside Single		
Rear Offside Single		
Overcab Bed	190cm x 134cm / 6'3" x 4'5"	

Kon-Tiki 625 Standard	Kon-Tiki 625 Optional
High Line	
180 MJT	180 MJT Auto
2.3ltr	
178 HP @ 3500rpm	178 HP @ 3500rpm
400 Nm @ 1500rpm	450 Nm @ 1500rpm
Fiat / Al-Ko Chassis	
4.60m / 15'1"	
3	
6	
8.19m / 26'10"	
2.35m / 7'9"	
3.13m / 10'3"	
4250kg	
3815kg Est	3833kg Est
435kg Est	417kg Est
3661kg Est	3679kg Est
0kg	
THREE	
209cm x 112cm / 6'10" x 3'8"	
192cm x 143cm / 6'4" x 4'8"	
190cm x 134cm / 6'3" x 4'5"	

Kon-Tiki 635 Euro 6D Standard	Kon-Tiki 635 Euro 6D Optional	Kon-Tiki 635 Euro 6D Optional	Kon-Tiki 635 Euro 6D Optional
Low Line			
160 MJT	160 MJT Auto	180 MJT	180 MJT Auto
2.3ltr			
160 HP @ 3500rpm		178HP @ 3500rpm	
380 Nm @ 1500rpm	400 Nm @ 1500rpm	400 Nm @ 1500rpm	450 Nm @ 1500rpm
Fiat / Al-Ko Chassis			
4.60m / 15'1"			
3			
4			
8.19m / 26'10"			
2.35m / 7'9"			
3.02m / 9'11"			
4250kg			
3775kg Est	3793kg Est	3775kg Est	3793kg Est
475kg Est	457kg Est	475kg Est	457kg Est
3621kg Est	3639kg Est	3621kg Est	3639kg Est
0kg			
THREE			
204cm x 94cm / 6'8" x 3'1"			
203cm x 138cm / 6'8" x 4'6"			
193cm x 81cm / 6'4" x 2'8"			
193cm x 81cm / 6'4" x 2'8"			

Kon-Tiki Specifications

Model	Kon-Tiki 635 Euro 6B Standard
Roof Profile	High Line
Engine	150 MJT
Engine Capacity	2.3ltr
Max Power	150 HP @ 3600rpm
Torque	380 Nm @ 1500rpm
Chassis	Fiat / Al-Ko Chassis
Wheel base	4.60m / 15'1"
Designated Passenger Seats (excluding Driver)	3
Berths (sleeping positions)	6
Overall Length (no ladder)**	8.19m / 26'10"
Overall Width (mirrors folded)	2.35m / 7'9"
Overall Height**	3.13m / 10'3"
Maximum Technical Permissible Laden Mass (A)	4250kg
Mass in Running Order (B)	3781kg Est
Maximum User Payload (A-B)	469kg Est
Unladen Weight	3625kg Est
Essential Habitation Equipment	0kg
Thermal Insulation Grade	THREE
Bed Sizes	
Front Double	204cm x 94cm / 6'8" x 3'1"
Front Nearside Single (Inc. Cab Seat)	
Front Offside Single (Inc. Cab Seat)	
Rear Double	203cm x 138cm / 6'8" x 4'6"
Rear Nearside Single	193cm x 81cm / 6'4" x 2'8"
Rear Offside Single	193cm x 81cm / 6'4" x 2'8"
Overcab Bed	190cm x 134cm / 6'3" x 4'5"

NOTE: 1. **The Maximum User Payload** includes:

- the **conventional load** (this is the allowance for passengers)
- essential habitation equipment** (items and fluids required for safe and proper functioning of habitation equipment)
- optional equipment** (items available from the manufacturer over and above the standard specification)
- personal effects** (those items not covered by the above)

2. The **Mass in Running Order** is the mass of the unladen vehicle including a 75kg allowance for the driver plus engine coolants and 90% of the fuel tank and 1 x 6kg Calor Lite cylinder.

3. The MRO is calculated with the fresh water tank empty. If you travel with water in the fresh water tank then the payload will reduce accordingly.

4. PLEASE TAKE CARE TO ENSURE THAT YOU HAVE ALLOWED FOR THE MASSES OF ALL ITEMS YOU INTEND TO CARRY IN THE MOTOR CARAVAN, e.g. passengers, optional equipment, essential habitation equipment and personal effects, such as clothing, food, pets, bicycles, sailboards, sports equipment etc.

5. **WARNING** - UNDER NO CIRCUMSTANCES SHOULD THE MAXIMUM TECHNICAL PERMISSIBLE LADEN MASS OF THIS MOTOR CARAVAN BE EXCEEDED.

Est = Estimated

** For optional roof ladder add 120mm to length 100mm to height on Low Line

Kon-Tiki 635 Euro 6D Standard	Kon-Tiki 635 Euro 6D Optional	Kon-Tiki 635 Euro 6D Optional	Kon-Tiki 635 Euro 6D Optional
High Line			
160 MJT	160 MJT Auto	180 MJT	180 MJT Auto
2.3ltr			
160 HP @ 3500rpm		178HP @ 3500rpm	
380 Nm @ 1500rpm	400 Nm @ 1500rpm	400 Nm @ 1500rpm	450 Nm @ 1500rpm
Fiat / Al-Ko Chassis			
4.60m / 15'1"			
3			
6			
8.19m / 26'10"			
2.35m / 7'9"			
3.13m / 10'3"			
4250kg			
3825kg Est	3843kg Est	3825kg Est	3843kg Est
425kg Est	407kg Est	425kg Est	407kg Est
3671kg Est	3689kg Est	3671kg Est	3689kg Est
0kg			
THREE			
204cm x 94cm / 6'8" x 3'1"			
203cm x 138cm / 6'8" x 4'6"			
193cm x 81cm / 6'4" x 2'8"			
193cm x 81cm / 6'4" x 2'8"			
190cm x 134cm / 6'3" x 4'5"			

Kon-Tiki Specifications

Model	Kon-Tiki 649 Euro 6B Standard	Kon-Tiki 649 Euro 6B Optional	Kon-Tiki 649 Euro 6D Standard
Roof Profile	High Line		
Engine	180 MJT	180 MJT Auto	160 MJT
Engine Capacity	2.3ltr		
Max Power	177 HP @ 3500rpm		160 HP @ 3500rpm
Torque	400 Nm @ 1400rpm		380 Nm @ 1500rpm
Chassis	Fiat / Al-Ko Chassis		
Wheel base	4.60m / 15'1" - 0.80m / 27"		
Designated Passenger Seats (excluding Driver)	5		
Berths (sleeping positions)	6		
Overall Length (no ladder)**	9.01m / 29'7"		
Overall Width (mirrors folded)	2.35m / 7'9"		
Overall Height**	3.13m / 10'3"		
Maximum Technical Permissible Laden Mass (A)	5000kg		
Mass in Running Order (B)	4178kg	4195kg	4230kg
Maximum User Payload (A-B)	822kg	805kg	770kg
Unladen Weight	4022kg	4039kg	4076kg
Essential Habitation Equipment	0kg		
Thermal Insulation Grade	THREE		
Bed Sizes			
Front Double	204cm x 135cm / 6'8" x 4'5"		
Front Nearside Single (Inc. Cab Seat)			
Front Offside Single (Inc. Cab Seat)			
Rear Double	201cm x 193cm / 6'7" x 6'4"		
Rear Nearside Single	193cm x 69cm / 6'4" x 2'3"		
Rear Offside Single	193cm x 69cm / 6'4" x 2'3"		
Overcab Bed	190cm x 134cm / 6'3" x 4'5"		

NOTE: 1. **The Maximum User Payload** includes:

- the **conventional load** (this is the allowance for passengers)
- essential habitation equipment** (items and fluids required for safe and proper functioning of habitation equipment)
- optional equipment** (items available from the manufacturer over and above the standard specification)
- personal effects** (those items not covered by the above)

2. The **Mass in Running Order** is the mass of the unladen vehicle including a 75kg allowance for the driver plus engine coolants and 90% of the fuel tank and 1 x 6kg Calor Lite cylinder.

3. The MRO is calculated with the fresh water tank empty. If you travel with water in the fresh water tank then the payload will reduce accordingly.

4. PLEASE TAKE CARE TO ENSURE THAT YOU HAVE ALLOWED FOR THE MASSES OF ALL ITEMS YOU INTEND TO CARRY IN THE MOTOR CARAVAN, e.g. passengers, optional equipment, essential habitation equipment and personal effects, such as clothing, food, pets, bicycles, sailboards, sports equipment etc.

5. **WARNING** - UNDER NO CIRCUMSTANCES SHOULD THE MAXIMUM TECHNICAL PERMISSIBLE LADEN MASS OF THIS MOTOR CARAVAN BE EXCEEDED.

Est = Estimated

** For optional roof ladder add 120mm to length 100mm to height on Low Line

Kon-Tiki 649 Euro 6D Optional	Kon-Tiki 649 Euro 6D Optional	Kon-Tiki 649 Euro 6D Optional
High Line		
160 MJT Auto	180 MJT	180 MJT Auto
2.3ltr		
160 HP @ 3500rpm	178 HP @ 3500rpm	
400 Nm @ 1500rpm	400 Nm @ 1500rpm	450 Nm @ 1500rpm
Fiat / Al-Ko Chassis		
4.60m / 15'1" - 0.80m / 2'7"		
5		
6		
9.01m / 29'7"		
2.35m / 7'9"		
3.13m / 10'3"		
5000kg		
4248kg	4230kg	4248kg
752kg	770kg	752kg
4094kg	4076kg	4094kg
0kg		
THREE		
204cm x 135cm / 6'8" x 4'5"		
201cm x 193cm / 6'7" x 6'4"		
193cm x 69cm / 6'4" x 2'3"		
193cm x 69cm / 6'4" x 2'3"		
190cm x 134cm / 6'3" x 4'5"		

Kon-Tiki Specifications

Model	Kon-Tiki 650 Euro 6B Standard	Kon-Tiki 650 Euro 6B Optional	Kon-Tiki 650 Euro 6D Standard
Roof Profile	Low Line		
Engine	180 MJT	180 MJT Auto	160 MJT
Engine Capacity	2.3ltr		
Max Power	177 HP @ 3500rpm		160 HP @ 3500rpm
Torque	400 Nm @ 1400rpm		380 Nm @ 1500rpm
Chassis	Fiat / Al-Ko Chassis		
Wheel base	4.60m / 15'1" - 0.80m / 27"		
Designated Passenger Seats (excluding Driver)	3		
Berths (sleeping positions)	4		
Overall Length (no ladder)**	9.01m / 29'7"		
Overall Width (mirrors folded)	2.35m / 7'9"		
Overall Height**	3.05m / 10'0"		
Maximum Technical Permissible Laden Mass (A)	5000kg		
Mass in Running Order (B)	4075kg	4092kg	4125kg
Maximum User Payload (A-B)	925kg	908kg	875kg
Unladen Weight	3919kg	3936kg	3971kg
Essential Habitation Equipment	0kg		
Thermal Insulation Grade	THREE		
Bed Sizes			
Front Double	204cm x 135cm / 6'8" x 4'5"		
Front Nearside Single (Inc. Cab Seat)			
Front Offside Single (Inc. Cab Seat)			
Rear Double	192cm x 143cm / 6'4" x 4'8"		
Rear Nearside Single			
Rear Offside Single			
Overcab Bed			

NOTE: 1. **The Maximum User Payload** includes:

- the **conventional load** (this is the allowance for passengers)
- essential habitation equipment** (items and fluids required for safe and proper functioning of habitation equipment)
- optional equipment** (items available from the manufacturer over and above the standard specification)
- personal effects** (those items not covered by the above)

2. The **Mass in Running Order** is the mass of the unladen vehicle including a 75kg allowance for the driver plus engine coolants and 90% of the fuel tank and 1 x 6kg Calor Lite cylinder.

3. The MRO is calculated with the fresh water tank empty. If you travel with water in the fresh water tank then the payload will reduce accordingly.

4. PLEASE TAKE CARE TO ENSURE THAT YOU HAVE ALLOWED FOR THE MASSES OF ALL ITEMS YOU INTEND TO CARRY IN THE MOTOR CARAVAN, e.g. passengers, optional equipment, essential habitation equipment and personal effects, such as clothing, food, pets, bicycles, sailboards, sports equipment etc.

5. **WARNING** - UNDER NO CIRCUMSTANCES SHOULD THE MAXIMUM TECHNICAL PERMISSIBLE LADEN MASS OF THIS MOTOR CARAVAN BE EXCEEDED.

Est = Estimated

** For optional roof ladder add 120mm to length 100mm to height on Low Line

Kon-Tiki 650 Euro 6D Optional	Kon-Tiki 650 Euro 6D Optional	Kon-Tiki 650 Euro 6D Optional
Low Line		
160 MJT Auto	180 MJT	180 MJT Auto
2.3ltr		
160 HP @ 3500rpm	178 HP @ 3500rpm	
400 Nm @ 1500rpm	400 Nm @ 1500rpm	450 Nm @ 1500rpm
Fiat / Al-Ko Chassis		
4.60m / 15'1" - 0.80m / 2'7"		
3		
4		
9.01m / 29'7"		
2.35m / 7'9"		
3.05m / 10'0"		
5000kg		
4143kg	4125kg	4143kg
857kg	875kg	857kg
3989kg	3971kg	3989kg
0kg		
THREE		
204cm x 135cm / 6'8" x 4'5"		
192cm x 143cm / 6'4" x 4'8"		

Kon-Tiki Specifications

Model	Kon-Tiki 650 Euro 6B Standard	Kon-Tiki 650 Euro 6B Optional
Roof Profile	High Line	
Engine	180 MJT	180 MJT Auto
Engine Capacity	2.3ltr	
Max Power	177 HP @ 3500rpm	177 HP @ 3500rpm
Torque	400 Nm @ 1500rpm	400 Nm @ 1500rpm
Chassis	Fiat / Al-Ko Chassis	
Wheel base	4.60m / 15'1" - 0.80m / 27"	
Designated Passenger Seats (excluding Driver)	3	
Berths (sleeping positions)	6	
Overall Length (no ladder)**	9.01m / 29'7"	
Overall Width (mirrors folded)	2.35m / 7'9"	
Overall Height**	3.13m / 10'3"	
Maximum Technical Permissible Laden Mass (A)	5000kg	
Mass in Running Order (B)	4117kg	4134kg
Maximum User Payload (A-B)	883kg	866kg
Unladen Weight	3961kg	3978kg
Essential Habitation Equipment	0kg	
Thermal Insulation Grade	THREE	
Bed Sizes		
Front Double	204cm x 135cm / 6'8" x 4'5"	
Front Nearside Single (Inc. Cab Seat)		
Front Offside Single (Inc. Cab Seat)		
Rear Double	192cm x 143cm / 6'4" x 4'8"	
Rear Nearside Single		
Rear Offside Single		
Overcab Bed	190cm x 134cm / 6'3" x 4'5"	

NOTE: 1. **The Maximum User Payload** includes:

- the **conventional load** (this is the allowance for passengers)
- essential habitation equipment** (items and fluids required for safe and proper functioning of habitation equipment)
- optional equipment** (items available from the manufacturer over and above the standard specification)
- personal effects** (those items not covered by the above)

2. The **Mass in Running Order** is the mass of the unladen vehicle including a 75kg allowance for the driver plus engine coolants and 90% of the fuel tank and 1 x 6kg Calor Lite cylinder.

3. The MRO is calculated with the fresh water tank empty. If you travel with water in the fresh water tank then the payload will reduce accordingly.

4. PLEASE TAKE CARE TO ENSURE THAT YOU HAVE ALLOWED FOR THE MASSES OF ALL ITEMS YOU INTEND TO CARRY IN THE MOTOR CARAVAN, e.g. passengers, optional equipment, essential habitation equipment and personal effects, such as clothing, food, pets, bicycles, sailboards, sports equipment etc.

5. **WARNING** - UNDER NO CIRCUMSTANCES SHOULD THE MAXIMUM TECHNICAL PERMISSIBLE LADEN MASS OF THIS MOTOR CARAVAN BE EXCEEDED.

Est = Estimated

** For optional roof ladder add 120mm to length 100mm to height on Low Line

Kon-Tiki 650 Optional Euro 6D Optional	Kon-Tiki 650 Optional Euro 6D Optional	Kon-Tiki 650 Optional Euro 6D Optional	Kon-Tiki 650 Optional Euro 6D Optional
High Line			
160 MJT	160 MJT Auto	180 MJT	180 MJT Auto
2.3ltr			
160 HP @ 3500rpm	160 HP @ 3500rpm	178 HP @ 3500rpm	
380 Nm @ 1500rpm	400 Nm @ 1500rpm	400 Nm @ 1500rpm	450 Nm @ 1500rpm
Fiat / Al-Ko Chassis			
4.60m / 15'1" - 0.80m / 2'7"			
3			
6			
9.01m / 29'7"			
2.35m / 7'9"			
3.13m / 10'3"			
5000kg			
4175kg	4193kg	4175kg	4193kg
825kg	807kg	825kg	807kg
4021kg	4039kg	4021kg	4039kg
0kg			
THREE			
204cm x 135cm / 6'8" x 4'5"			
192cm x 143cm / 6'4" x 4'8"			
190cm x 134cm / 6'3" x 4'5"			

Kon-Tiki Specifications

Model	Kon-Tiki 675 Euro 6B Standard	Kon-Tiki 675 Euro 6B Optional
Roof Profile	Low Line	
Engine	180 MJT	180 MJT Auto
Engine Capacity	2.3ltr	
Max Power	177HP @ 3500rpm	177 HP @ 3500rpm
Torque	400 Nm @ 1500rpm	400 Nm @ 1500rpm
Chassis	Fiat / Al-Ko Chassis	
Wheel base	4.60m / 15'1" - 0.80m / 27"	
Designated Passenger Seats (excluding Driver)	3	
Berths (sleeping positions)	4	
Overall Length (no ladder)**	9.01m / 29'7"	
Overall Width (mirrors folded)	2.35m / 7'9"	
Overall Height**	3.05m / 10'0"	
Maximum Technical Permissible Laden Mass (A)	5000kg	
Mass in Running Order (B)	4094kg	4111kg
Maximum User Payload (A-B)	906kg	889kg
Unladen Weight	3938kg	3955kg
Essential Habitation Equipment	0kg	
Thermal Insulation Grade	THREE	
Bed Sizes		
Front Double	204cm x 135cm / 6'8" x 4'5"	
Front Nearside Single (Inc. Cab Seat)		
Front Offside Single (Inc. Cab Seat)		
Rear Double	203cm x 138cm / 6'8" x 4'6"	
Rear Nearside Single	193cm x 81cm / 6'4" x 2'8"	
Rear Offside Single	193cm x 81cm / 6'4" x 2'8"	
Overcab Bed		

NOTE: 1. **The Maximum User Payload** includes:

- the **conventional load** (this is the allowance for passengers)
- essential habitation equipment** (items and fluids required for safe and proper functioning of habitation equipment)
- optional equipment** (items available from the manufacturer over and above the standard specification)
- personal effects** (those items not covered by the above)

2. The **Mass in Running Order** is the mass of the unladen vehicle including a 75kg allowance for the driver plus engine coolants and 90% of the fuel tank and 1 x 6kg Calor Lite cylinder.

3. The MRO is calculated with the fresh water tank empty. If you travel with water in the fresh water tank then the payload will reduce accordingly.

4. PLEASE TAKE CARE TO ENSURE THAT YOU HAVE ALLOWED FOR THE MASSES OF ALL ITEMS YOU INTEND TO CARRY IN THE MOTOR CARAVAN, e.g. passengers, optional equipment, essential habitation equipment and personal effects, such as clothing, food, pets, bicycles, sailboards, sports equipment etc.

5. **WARNING** - UNDER NO CIRCUMSTANCES SHOULD THE MAXIMUM TECHNICAL PERMISSIBLE LADEN MASS OF THIS MOTOR CARAVAN BE EXCEEDED.

Est = Estimated

** For optional roof ladder add 120mm to length 100mm to height on Low Line

Kon-Tiki 675 Optional Euro 6D Optional	Kon-Tiki 675 Optional Euro 6D Optional	Kon-Tiki 675 Optional Euro 6D Optional	Kon-Tiki 675 Optional Euro 6D Optional
Low Line			
160 MJT	160 MJT Auto	180 MJT	180 MJT Auto
2.3ltr			
160 HP @ 3500rpm	160 HP @ 3500rpm	178 HP @ 3500rpm	
380 Nm @ 1500rpm	400 Nm @ 1500rpm	400 Nm @ 1500rpm	450 Nm @ 1500rpm
Fiat / Al-Ko Chassis			
4.60m / 15'1" - 0.80m / 2'7"			
3			
4			
9.01m / 29'7"			
2.35m / 7'9"			
3.05m / 10'0"			
5000kg			
4145kg	4163kg	4145kg	4163kg
855kg	837kg	855kg	837kg
3991kg	4009kg	3991kg	4009kg
0kg			
THREE			
204cm x 135cm / 6'8" x 4'5"			
203cm x 138cm / 6'8" x 4'6"			
193cm x 81cm / 6'4" x 2'8"			
193cm x 81cm / 6'4" x 2'8"			

Kon-Tiki Specifications

Model	Kon-Tiki 675 Euro 6B Standard	Kon-Tiki 675 Euro 6B Optional	Kon-Tiki 675 Euro 6D Standard
Roof Profile	High Line		
Engine	180 MJT	180 MJT Auto	160 MJT
Engine Capacity	2.3ltr		
Max Power	177 HP @ 3500rpm		160 HP @ 3500rpm
Torque	400 Nm @ 1400rpm		380 Nm @ 1500rpm
Chassis	Fiat / Al-Ko Chassis		
Wheel base	4.60m / 15'1" - 0.80m / 27"		
Designated Passenger Seats (excluding Driver)	3		
Berths (sleeping positions)	6		
Overall Length (no ladder)**	9.01m / 29'7"		
Overall Width (mirrors folded)	2.35m / 7'9"		
Overall Height**	3.13m / 10'3"		
Maximum Technical Permissible Laden Mass (A)	5000kg		
Mass in Running Order (B)	4132kg	4149kg	4195kg
Maximum User Payload (A-B)	868kg	851kg	805kg
Unladen Weight	2976kg	3993kg	4041kg
Essential Habitation Equipment	0kg		
Thermal Insulation Grade	THREE		
Bed Sizes			
Front Double	204cm x 135cm / 6'8" x 4'5"		
Front Nearside Single (Inc. Cab Seat)			
Front Offside Single (Inc. Cab Seat)			
Rear Double	203cm x 138cm / 6'8" x 4'6"		
Rear Nearside Single	193cm x 81cm / 6'4" x 2'8"		
Rear Offside Single	193cm x 81cm / 6'4" x 2'8"		
Overcab Bed	190cm x 134cm / 6'3" x 4'5"		

NOTE: 1. **The Maximum User Payload** includes:

- the **conventional load** (this is the allowance for passengers)
- essential habitation equipment** (items and fluids required for safe and proper functioning of habitation equipment)
- optional equipment** (items available from the manufacturer over and above the standard specification)
- personal effects** (those items not covered by the above)

2. The **Mass in Running Order** is the mass of the unladen vehicle including a 75kg allowance for the driver plus engine coolants and 90% of the fuel tank and 1 x 6kg Calor Lite cylinder.

3. The MRO is calculated with the fresh water tank empty. If you travel with water in the fresh water tank then the payload will reduce accordingly.

4. PLEASE TAKE CARE TO ENSURE THAT YOU HAVE ALLOWED FOR THE MASSES OF ALL ITEMS YOU INTEND TO CARRY IN THE MOTOR CARAVAN, e.g. passengers, optional equipment, essential habitation equipment and personal effects, such as clothing, food, pets, bicycles, sailboards, sports equipment etc.

5. **WARNING** - UNDER NO CIRCUMSTANCES SHOULD THE MAXIMUM TECHNICAL PERMISSIBLE LADEN MASS OF THIS MOTOR CARAVAN BE EXCEEDED.

Est = Estimated

** For optional roof ladder add 120mm to length 100mm to height on Low Line

Kon-Tiki 675 Euro 6D Optional	Kon-Tiki 675 Euro 6D Optional	Kon-Tiki 675 Euro 6D Optional
High Line		
160 MJT Auto	180 MJT	180 MJT Auto
2.3ltr		
160 HP @ 3500rpm	178 HP @ 3500rpm	
400 Nm @ 1500rpm	400 Nm @ 1500rpm	450 Nm @ 1500rpm
Fiat / Al-Ko Chassis		
4.60m / 15'1" - 0.80m / 2'7"		
3		
6		
9.01m / 29'7"		
2.35m / 7'9"		
3.13m / 10'3"		
5000kg		
4213kg	4195kg	4213kg
787kg	805kg	787kg
4059kg	4041kg	4059kg
0kg		
THREE		
204cm x 135cm / 6'8" x 4'5"		
203cm x 138cm / 6'8" x 4'6"		
193cm x 81cm / 6'4" x 2'8"		
193cm x 81cm / 6'4" x 2'8"		
190cm x 134cm / 6'3" x 4'5"		

Kon-Tiki Capacities

Water Tank Capacities

	Fresh Water Tank	Waste Water Tank	Water Heater
Kon-Tiki	125 litre	100 litre	8.5 litre

LPG Locker Capacity

	Capacity
Kon-Tiki	2 x 13kg

NOTICE: For technical data on the base vehicle please refer to the manufacturer's handbook



Kon-Tiki Towing Capabilities

Kon-Tiki Towing Capabilities

Model	MTPLM	Permissible Front Axle Load
Kon-Tiki 625 (L) †	4250kg	2100kg
Kon-Tiki 625 (H) †	4250kg	2100kg
Kon-Tiki 635 (L) †	4250kg	2100kg
Kon-Tiki 635 (H) †	4250kg	2100kg
Kon-Tiki 649 (H)	5000kg	2100kg
Kon-Tiki 650 (L)	5000kg	2100kg
Kon-Tiki 650 (H)	5000kg	2100kg
Kon-Tiki 675 (L)	5000kg	2100kg
Kon-Tiki 675 (H)	5000kg	2100kg

CAUTION: When fitting a towbar, it must meet certain minimum requirements as specified by Type Approval Regulations. The bar will have marked on it the approval standard (94/20/EC or 55R ECE) and the maximum download, or noseweight, that it can accept. It must fit the manufacturer's approved mounting points and must not obscure the towing vehicle's number plate.

The maximum trailer weight is limited by the Gross Train Weight which must not be exceeded. For example, if the vehicle is at the maximum MTPLM of 5000kg, then the maximum trailer weight possible is 1000kg. Reducing the weight of the vehicle by removing payload, will allow you to increase the trailer weight up to a maximum of 1600kg.

To ensure adequate road holding, the load on the front axle, under all conditions, must not be less than 40% or more than 70% of the total weight.

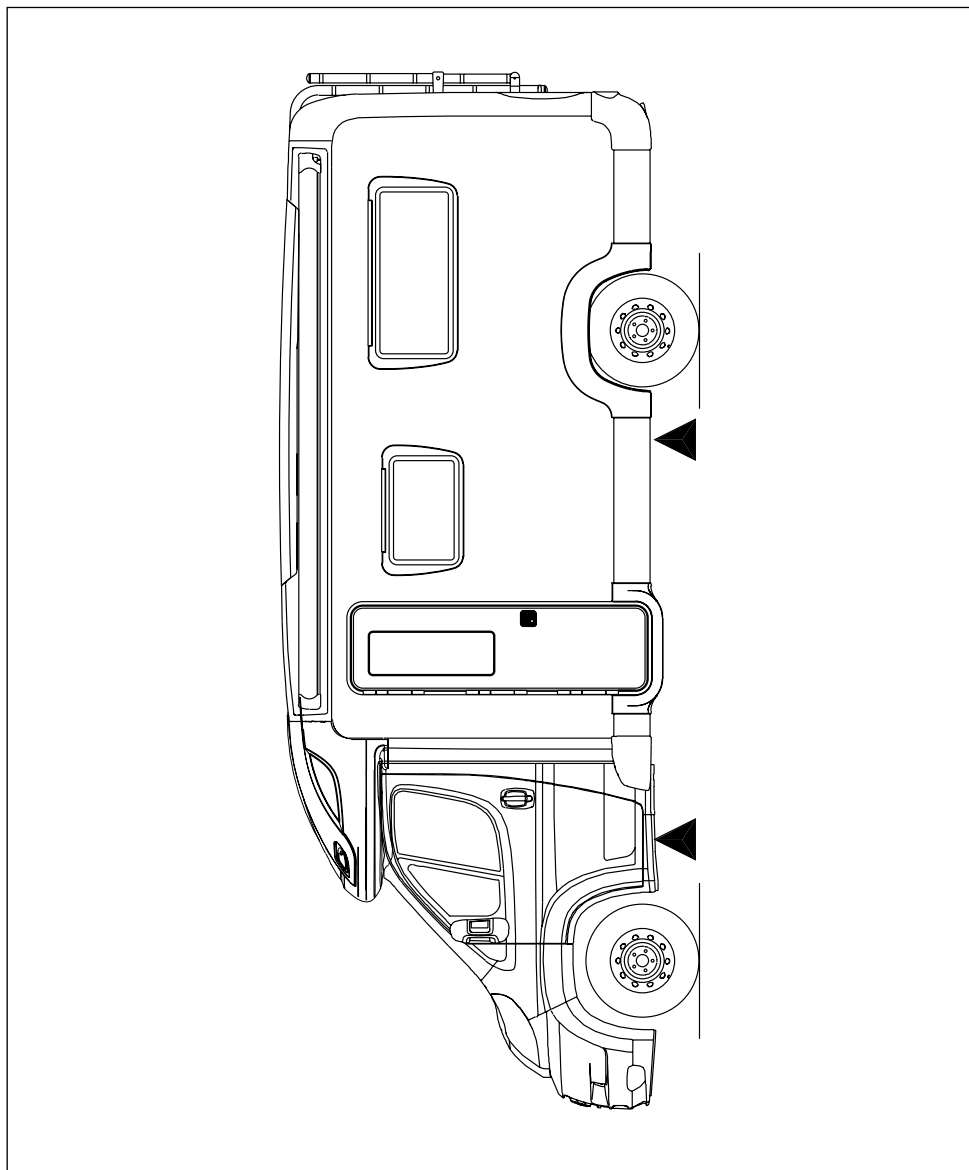
Care must be taken when distributing loads. The loadings and weights above are maximums and must not be exceeded under any circumstances.

† Maximum trailer nose weight limited to 40kg

Permissible Rear Axle Load	Recommended Maximum Trailer Weight #	Gross Train Weight
2500kg	1750kg < 2000kg	6000kg
2500kg	1750kg < 2000kg	6000kg
2500kg	1750kg < 2000kg	6000kg
2500kg	1750kg < 2000kg	6000kg
2 x 1600kg	1000kg < 1600kg	6000kg
2 x 1600kg	1000kg < 1600kg	6000kg
2 x 1600kg	1000kg < 1600kg	6000kg
2 x 1600kg	1000kg < 1600kg	6000kg
2 x 1600kg	1000kg < 1600kg	6000kg

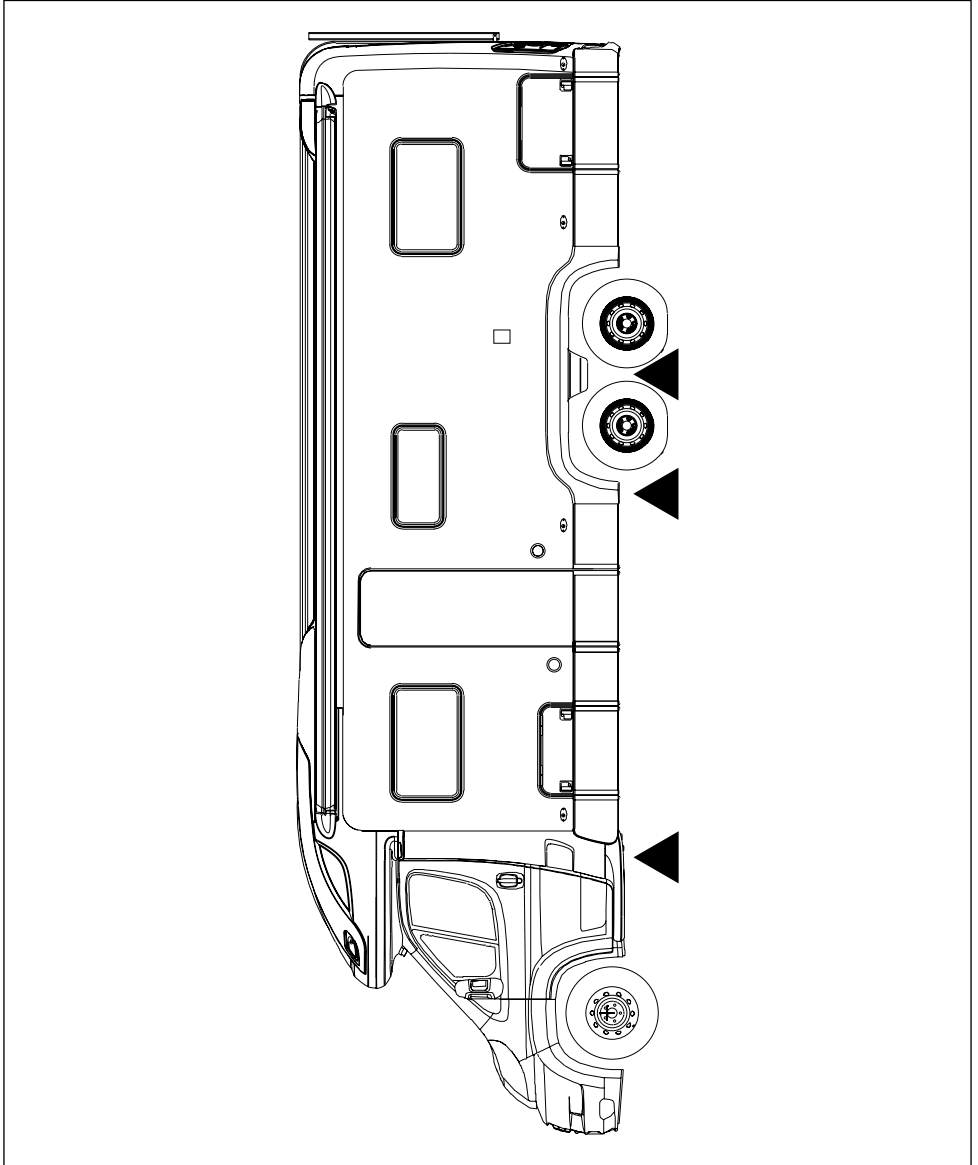
Kon-Tiki Jacking

Kon-Tiki single axle jacking points



Jacking Points: ▲ For further details see the AL-KO handbook

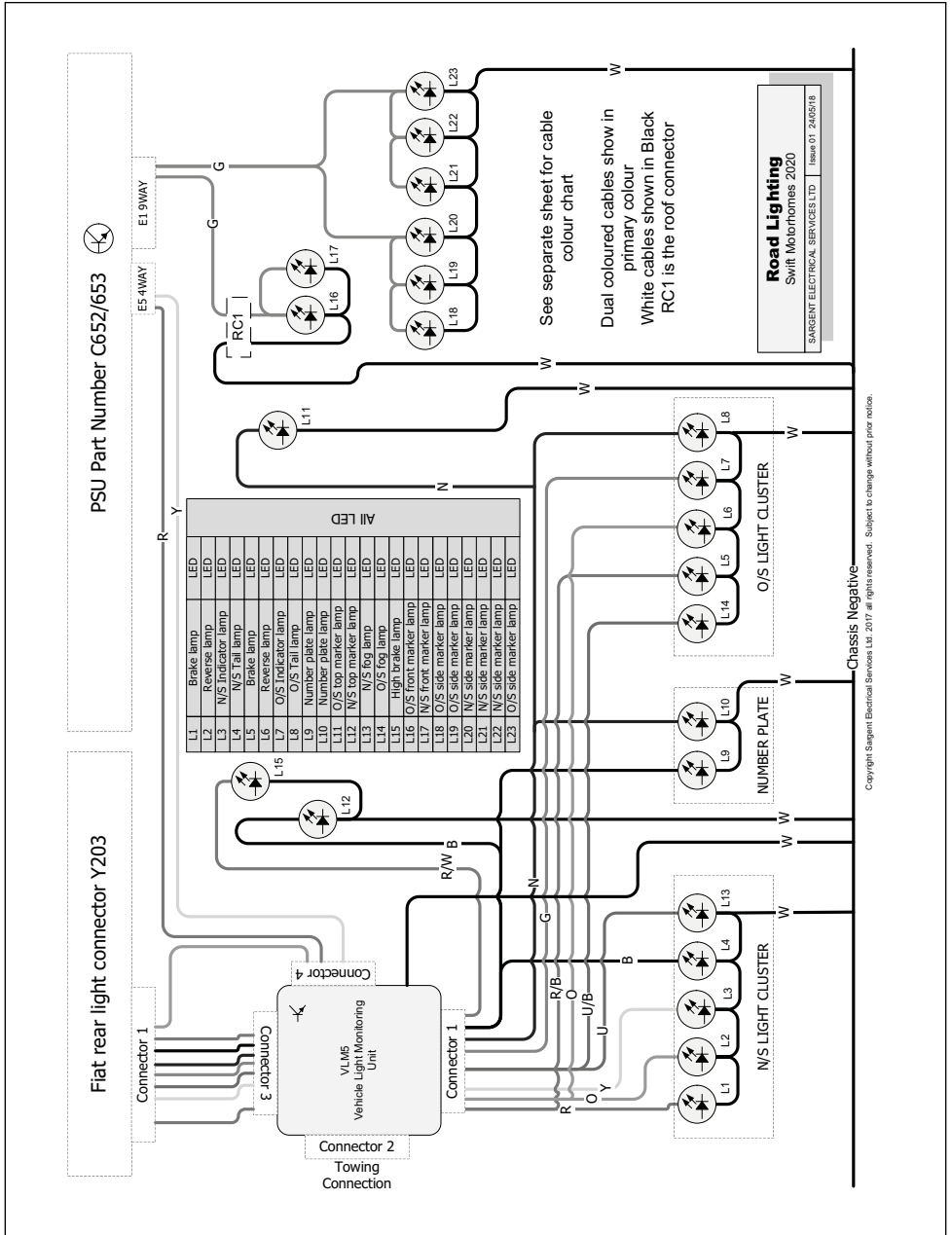
Kon-Tiki twin axle jacking points



Jacking Points: ▲ For further details see the AL-KO handbook

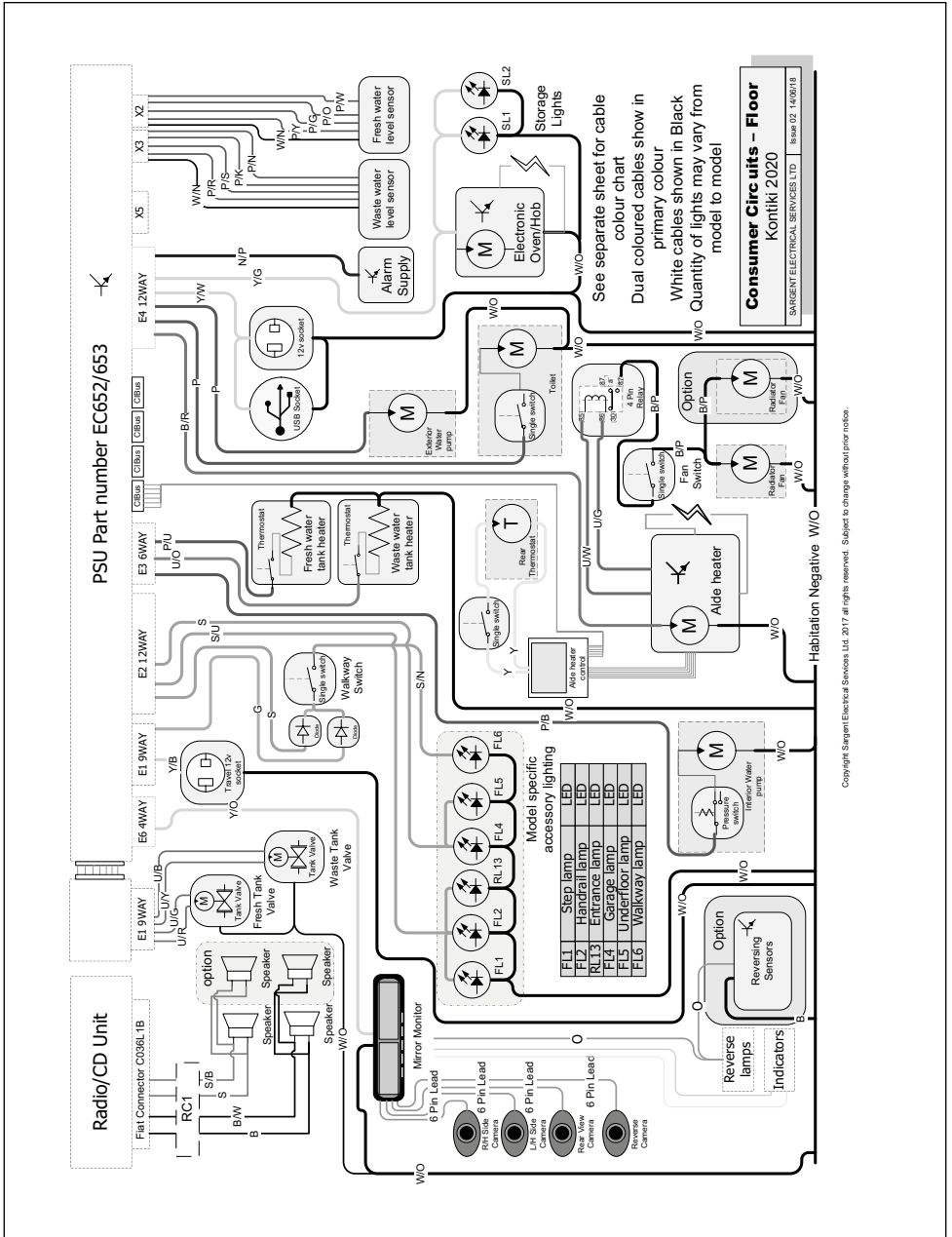
Wiring Diagrams

Road lighting circuits



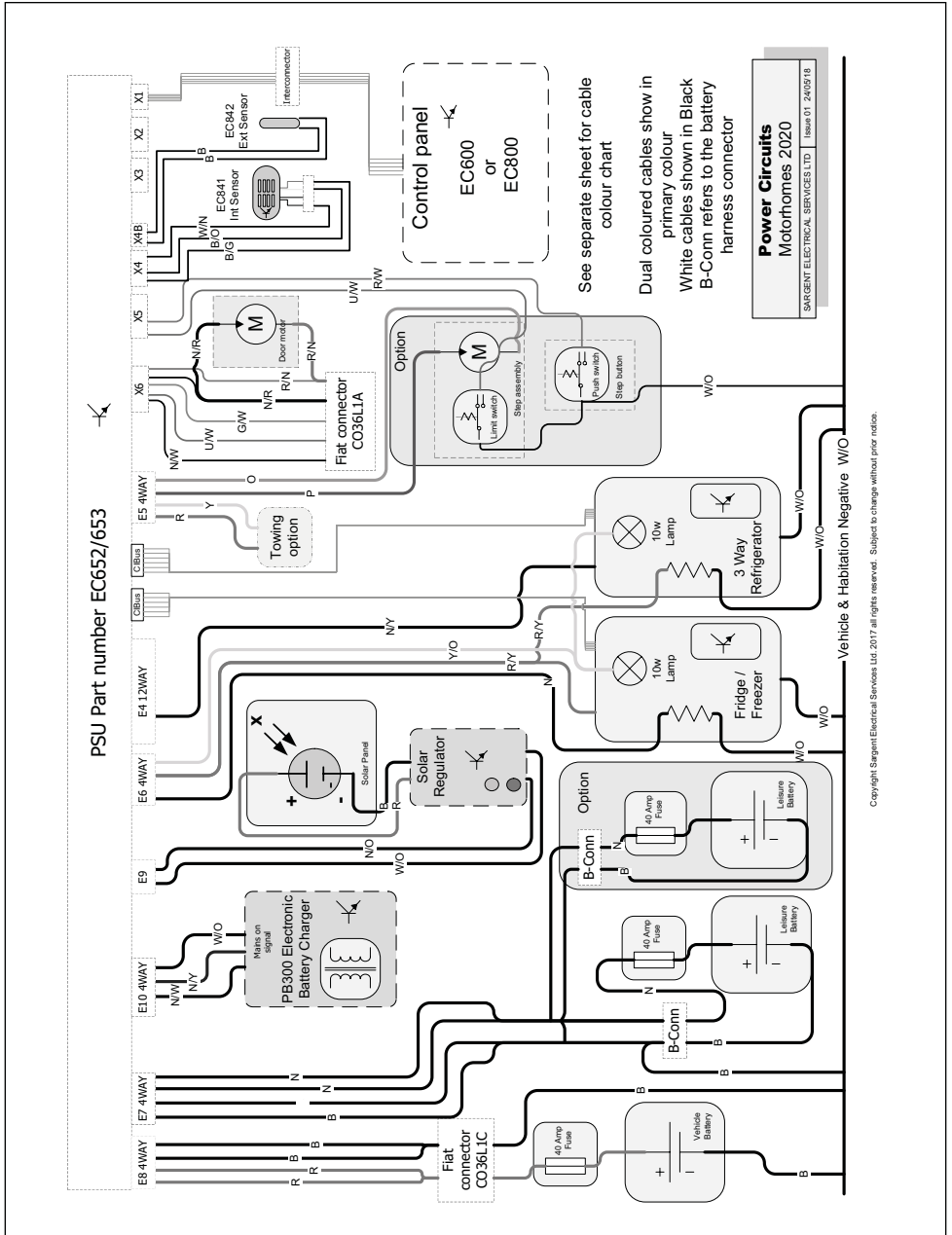
Wiring Diagrams

Kon-Tiki Consumer Circuits - Floor



Wiring Diagrams

Power Circuits

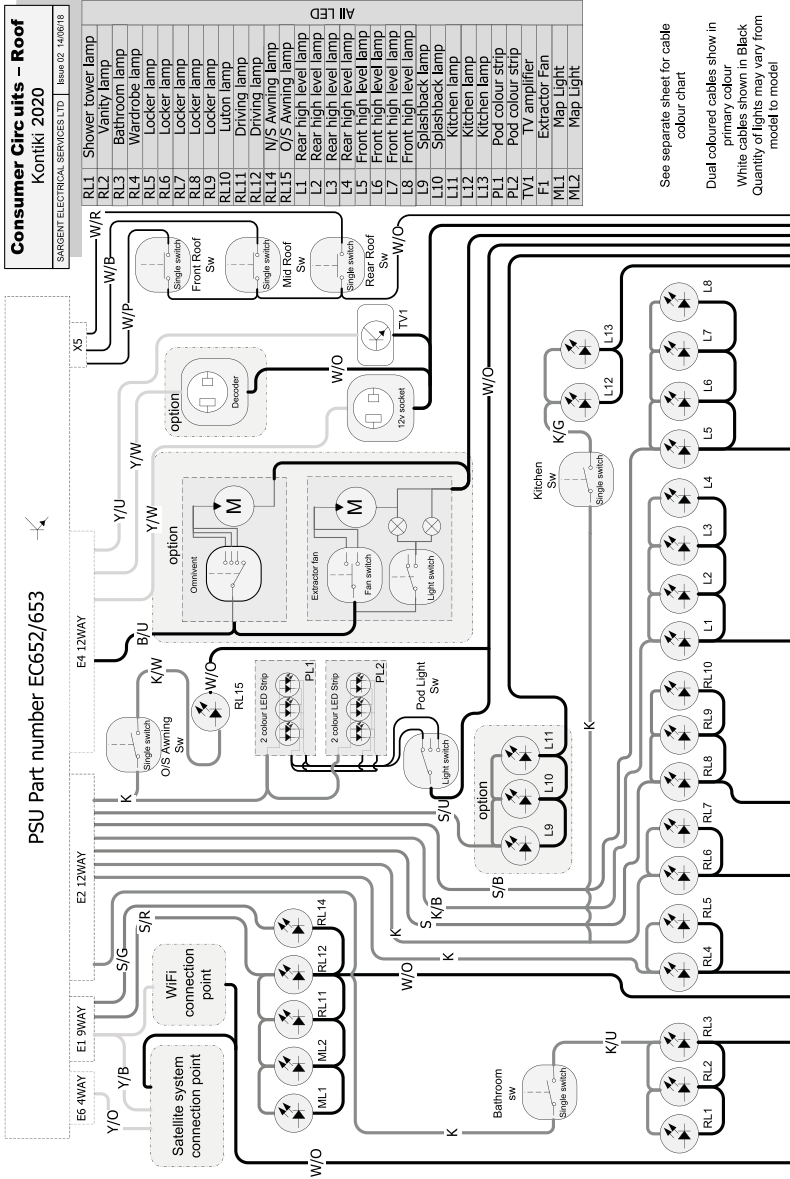


Kon-Tiki Consumer Circuits - Roof

Consumer Circuits – Roof Kon-tiki 2020

SARGENT ELECTRICAL SERVICES LTD Issue 02 14/09/18

PSU Part number EC652/653

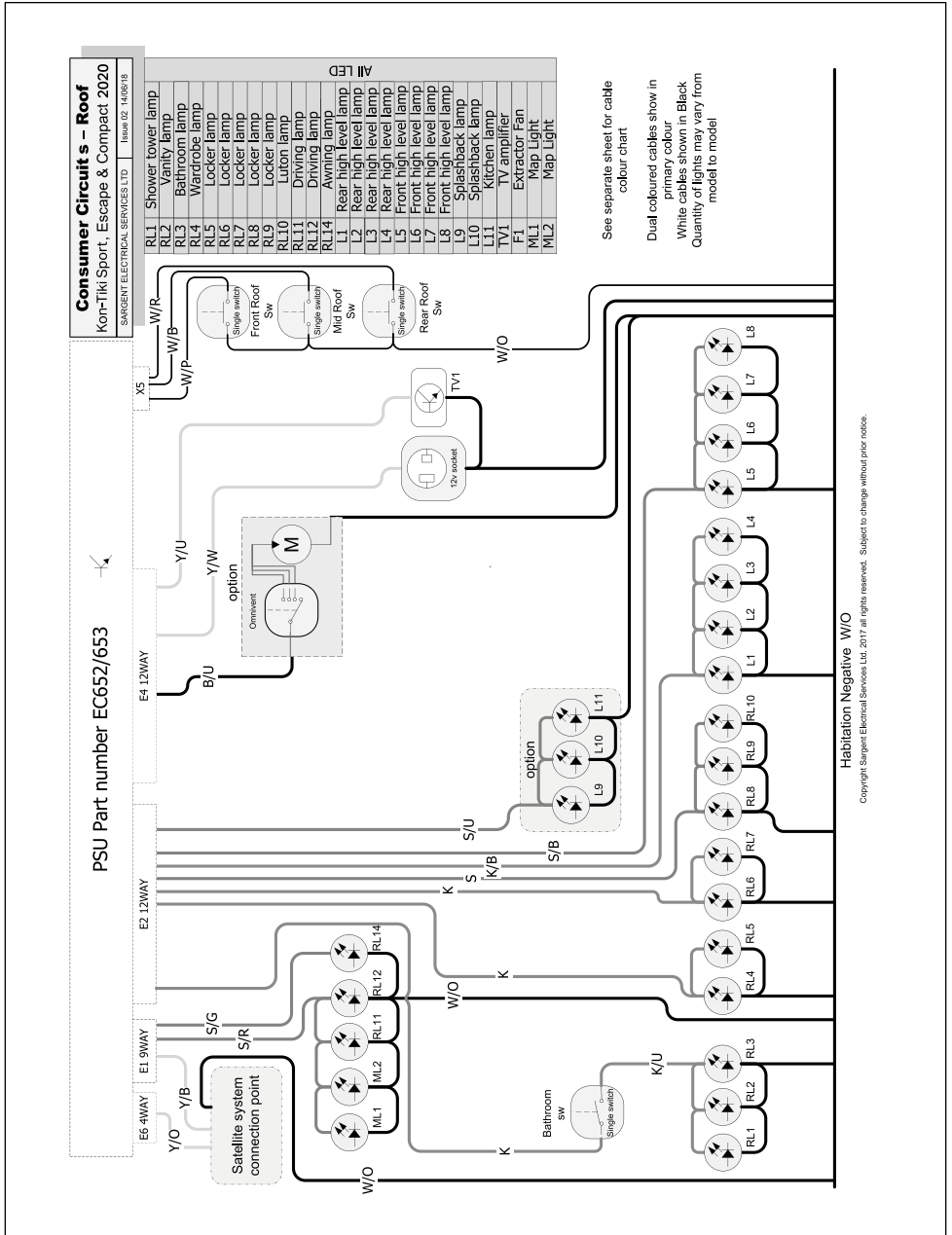


See separate sheet for cable colour chart
Dual coloured cables show in primary colour
White cables shown in Black
Quantity of lights may vary from model to model

Habitation Negative W/O
Copyright Sargent Electrical Services Ltd. 2017. All rights reserved. Subject to change without prior notice.

Wiring Diagrams

Kon-Tiki Sport, Escape and Escape Compact Consumer Circuits - Roof

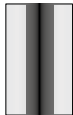


Habitation Negative W/O

Copyright Sargent Electrical Services Ltd. 2017 all rights reserved. Subject to change without prior notice.

Cable Colour Chart

Example



Y/U

Yellow cable with Blue stripe

Cable Colour Chart

Swift Group

SARGENT ELECTRICAL SERVICES LTD Issue 01 24/05/18

12v Cable Colours

B	BLACK
N	BROWN
R	RED
O	ORANGE
Y	YELLOW
G	GREEN
U	BLUE
P	PURPLE
S	SLATE GREY
W	WHITE
K	PINK

230v Cable Colours

B	BLACK
N	BROWN
W	WHITE
O	ORANGE
Y	YELLOW
G	GREEN
U	BLUE

Bulb Replacement

ROAD LIGHT BULB ACCESS

REAR LIGHT CLUSTERS (CONTAINING INDICATOR, TAIL / STOP, REVERSE AND FOG LAMPS)

- These multi-function lights are LED and have no user serviceable parts inside.
- Replacement clusters can be fitted in the following way:
- Remove three screws visible around the perimeter of the cluster
- Pull the cluster away from the rear panel of the tourer, taking care to not put excessive strain on the electrical connections behind the lamp
- Unplug the electrical connection from the rear of the lamp, by releasing the tab and lifting the connector upwards relative to the cluster
- Plug the connector back into the replacement lamp, position the lamp into the recess and replace the three fixing screws.

NUMBER PLATE LAMPS, LED

- These lamps are LED and have no user serviceable parts inside.
- Replacements should be undertaken by your dealer, as the lamps are sealed onto the mounting panel.

HIGH LEVEL BRAKE LAMP

- These lamps are LED and have no user serviceable parts inside.
- Replacements should be undertaken by your dealer, as the lamps are sealed onto the mounting panel.

FRONT AND REAR UPPER MARKER / POSITION LAMPS

- These lamps are LED and have no user serviceable parts inside.
- Replacements should be undertaken by your dealer, as the lamps are sealed onto the mounting panel.

SIDE MARKER / POSITION LAMPS

- These lamps are LED and have no user serviceable parts inside.
- Replacements should be undertaken by your dealer, as the lamps are sealed onto the mounting panel.

Dealer Special Editions based on Edge

Model	Edge 412 Standard	Edge 412 Optional
Dealer		
3 As	Charisma Sport 412	Charisma Sport 412
Lowdhams	Freestyle 412	Freestyle 412
Kimberley	Icon 412	Icon 412
Wandahome	Ace Ambassador	Ace Ambassador
Glossop	Celebration 412	Celebration 412
Dolphin	Spirit H412	Spirit H412
Brownhills	Champagne 412	Champagne 412
Spinney	Vogue 412	Vogue 412
Roof Profile		
Engine	120 MJT	140 MJT Auto
Engine Capacity	2.3ltr	2.3ltr
Max Power	120 HP @ 2750rpm	140 HP @ 3500rpm
Torque	320Nm @ 1400rpm	350Nm @ 1400rpm
Chassis	SWB Fiat Chassis	
Wheel base	3.00m/9'10"	
Designated Passenger Seats excluding Driver	1	
Berths (sleeping positions)	2	
Overall Length	5.89m/19'4"	
Overall Width (mirrors folded)	2.39m/7'10"	
Overall Height	2.89m/9'6"	
Maximum Technical Permissible Laden Mass (A)	3300kg	
Mass in Running Order (B)	2827kg Est.	2860kg
Maximum User Payload (A-B)	473kg Est.	440kg
Unladen Weight	2697kg Est.	2730kg
Essential Habitation Equipment	0kg	
Thermal Insulation Grade	THREE	
Bed Sizes		
Front Double	214cm x 130cm/ 7'0" x 4'3"	
Front Nearside Single	188cm x 72cm/ 6'2" x 2'4"	
Front Offside Single	188cm x 72cm/ 6'2" x 2'4"	
Rear Double		
Rear Nearside Single		
Rear Offside Single		
Rear Bunk (Upper)		
Rear Bunk (Lower)		
Front Drop Down Bed		

NOTE: 1. The Maximum User Payload includes:

- the **conventional load** (this is the allowance for passengers)
- essential habitation equipment** (items and fluids required for safe and proper functioning of habitation equipment)
- optional equipment** (items available from the manufacturer over and above the standard specification)
- personal effects** (those items not covered by the above)

2. The **Mass in Running Order** is the mass of the unladen vehicle including a 75kg allowance for the driver plus engine coolants and 90% of the fuel tank and 1 x 6kg Calor Lite cylinder.

3. The MRO is calculated with the fresh water tank empty. If you travel with water in the fresh water tank then the payload will reduce accordingly.

4. PLEASE TAKE CARE TO ENSURE THAT YOU HAVE ALLOWED FOR THE MASSES OF ALL ITEMS YOU INTEND TO CARRY IN THE MOTOR CARAVAN, e.g. passengers, optional equipment, essential habitation equipment and personal effects, such as clothing, food, pets, bicycles, sailboards, sports equipment etc.

5. **WARNING** - UNDER NO CIRCUMSTANCES SHOULD THE MAXIMUM TECHNICAL PERMISSIBLE LADEN MASS OF THIS MOTOR CARAVAN BE EXCEEDED.

Est = Estimated

Edge 464 Standard	Edge 464 Optional
Charisma Sport 464	Charisma Sport 464
Freestyle 464	Freestyle 464
Icon 464	Icon 464
Ace Diplomat	Ace Diplomat
Celebration 464	Celebration 464
Spirit H464	Spirit H464
Champagne 464	Champagne 464
Vogue 464	Vogue 464
Low Line	
120 MJT	140 MJT Auto
2.3ltr	2.3ltr
120 HP @ 2750rpm	140 HP @ 3500rpm
320Nm @ 1400rpm	350Nm @ 1400rpm
MLWB Fiat Chassis	
3.80m/12'6"	
3	
4	
6.75m/22'2"	
2.39m/7'10"	
2.91m/9'6"	
3500kg	
2964kg Est	2997kg
536kg Est	503kg
2834kg Est	2867kg
0kg	
THREE	
215cm x 123cm/92cm/7'1" x 4'0/3'0"	
188cm x 133cm/6'2" x 4'4"	

Dealer Special Editions based on Edge

Model	Edge 476 Standard	Edge 476 Optional
Dealer		
3 As	Charisma Sport 476	Charisma Sport 476
Lowdham's	Freestyle 476	Freestyle 476
Kimberley	Icon 476	Icon 476
Wandahome	Ace Pioneer	Ace Pioneer
Glossop	Celebration 476	Celebration 476
Dolphin	Spirit H476	Spirit H476
Brownhills	Champagne 476	Champagne 476
Spinney	Vogue 476	Vogue 476
Roof Profile	High Line	
Engine	120 MJT	140 MJT Auto
Engine Capacity	2.3ltr	2.3ltr
Max Power	120 HP @ 2750rpm	140 HP @ 3500rpm
Torque	320Nm @ 1400rpm	350Nm @ 1400rpm
Chassis	LWB Flat Chassis	
Wheel base	4.04m/13' 3"	
Designated Passenger Seats excluding Driver	5	
Berths (sleeping positions)	6	
Overall Length	7.32m/24'0"	
Overall Width (mirrors folded)	2.39m/7'10"	
Overall Height	2.98m/9'5"	
Maximum Technical Permissible Laden Mass (A)	3650kg	
Mass in Running Order (B)	3051kg	3084kg
Maximum User Payload (A-B)	599kg	566kg
Unladen Weight	2921kg	2954kg
Essential Habitation Equipment	0kg	
Thermal Insulation Grade	THREE	
Bed Sizes		
Front Double	215cm x 180cm/86cm/ 7'1" x 5'11"/2'10"	
Front Nearside Single		
Front Offside Single		
Rear Double	214cm x 143cm/ 70" x 4'8"	
Rear Nearside Single	191cm x 83cm/ 6'3" x 2'5"	
Rear Offside Single	191cm x 83cm/ 6'3" x 2'5"	
Rear Bunk (Upper)		
Rear Bunk (Lower)		
Front Drop Down Bed	190cm x 134cm/ 6'3" x 4'5"	

NOTE: 1. The Maximum User Payload includes:

- the **conventional load** (this is the allowance for passengers)
- essential habitation equipment** (items and fluids required for safe and proper functioning of habitation equipment)
- optional equipment** (items available from the manufacturer over and above the standard specification)
- personal effects** (those items not covered by the above)

2. The **Mass in Running Order** is the mass of the unladen vehicle including a 75kg allowance for the driver plus engine coolants and 90% of the fuel tank and 1 x 6kg Calor Lite cylinder.

3. The MRO is calculated with the fresh water tank empty. If you travel with water in the fresh water tank then the payload will reduce accordingly.

4. PLEASE TAKE CARE TO ENSURE THAT YOU HAVE ALLOWED FOR THE MASSES OF ALL ITEMS YOU INTEND TO CARRY IN THE MOTOR CARAVAN, e.g. passengers, optional equipment, essential habitation equipment and personal effects, such as clothing, food, pets, bicycles, sailboards, sports equipment etc.

5. **WARNING** - UNDER NO CIRCUMSTANCES SHOULD THE MAXIMUM TECHNICAL PERMISSIBLE LADEN MASS OF THIS MOTOR CARAVAN BE EXCEEDED.

Est = Estimated

Edge 486 Standard	Edge 464 Optional
Charisma Sport 486	Charisma Sport 486
Freestyle 486	Freestyle 486
Icon 486	Icon 486
Ace Viceroy	Ace Viceroy
Celebration 486	Celebration 486
Spirit H486	Spirit H486
Champagne 486	Champagne 486
Vogue 486	Vogue 486
High Line	
120 MJT	140 MJT Auto
2.3ltr	2.3ltr
120 HP @ 2750rpm	140 HP @ 3500rpm
320Nm @ 1400rpm	350Nm @ 1400rpm
LWB Fiat Chassis	
4.04m/13' 3"	
5	
6	
7.32m/24'0"	
2.39m/7'10"	
2.98m/9'9"	
3650kg	
3051kg	3084kg
599kg	566kg
2921kg	2954kg
0kg	
THREE	
215cm x 180cm / 121cm / 7'1" x 5'11" / 4'0"	
190cm x 134cm / 6'3" x 4'5"	

Dealer Special Editions based on Edge

Model	Edge 494 Standard	Edge 494 Optional
Dealer		
3 As	Charisma Sport 494	Charisma Sport 494
Lowdhams	Freestyle 494	Freestyle 494
Kimberley	Icon 494	Icon 494
Wandahome	Ace Globetrotter	Ace Globetrotter
Glossop	Celebration 494	Celebration 494
Dolphin	Spirit H494	Spirit H494
Brownhills	Champagne 494	Champagne 494
Spinney	Vogue 494	Vogue 494
Roof Profile	High Line	
Engine	120 MJT	140 MJT Auto
Engine Capacity	2.3ltr	2.3ltr
Max Power	120 HP @ 2750rpm	140 HP @ 3500rpm
Torque	320Nm @ 1400rpm	350Nm @ 1400rpm
Chassis	LWB Flat Chassis	
Wheel base	4.04m/13' 3"	
Designated Passenger Seats excluding Driver	3	
Berths (sleeping positions)	4	
Overall Length	7.32m/24'0"	
Overall Width (mirrors folded)	2.39m/7'10"	
Overall Height	2.98m/9'9"	
Maximum Technical Permissible Laden Mass (A)	3500kg	
Mass in Running Order (B)	3035kg	3068kg
Maximum User Payload (A-B)	465kg	432kg
Unladen Weight	2905kg	2938kg
Essential Habitation Equipment	0kg	
Thermal Insulation Grade	THREE	
Bed Sizes		
Front Double		
Front Nearside Single		
Front Offside Single		
Rear Double	185cm x 133cm/ 6'1" x 4'4"	
Rear Nearside Single		
Rear Offside Single		
Rear Bunk (Upper)		
Rear Bunk (Lower)		
Front Drop Down Bed	190cm x 134cm/ 6'3" x 4'5"	

NOTE: 1. The Maximum User Payload includes:

- the **conventional load** (this is the allowance for passengers)
- essential habitation equipment** (items and fluids required for safe and proper functioning of habitation equipment)
- optional equipment** (items available from the manufacturer over and above the standard specification)
- personal effects** (those items not covered by the above)

2. The **Mass in Running Order** is the mass of the unladen vehicle including a 75kg allowance for the driver plus engine coolants and 90% of the fuel tank and 1 x 6kg Calor Lite cylinder.

3. The MRO is calculated with the fresh water tank empty. If you travel with water in the fresh water tank then the payload will reduce accordingly.

4. PLEASE TAKE CARE TO ENSURE THAT YOU HAVE ALLOWED FOR THE MASSES OF ALL ITEMS YOU INTEND TO CARRY IN THE MOTOR CARAVAN, e.g. passengers, optional equipment, essential habitation equipment and personal effects, such as clothing, food, pets, bicycles, sailboards, sports equipment etc.

5. **WARNING - UNDER NO CIRCUMSTANCES SHOULD THE MAXIMUM TECHNICAL PERMISSIBLE LADEN MASS OF THIS MOTOR CARAVAN BE EXCEEDED.**

Est = Estimated



Dealer Special Editions based on Escape Compact

Model	Escape Compact C205 Standard	Escape Compact C205 Optional
Dealer		
Highbridge	Coastline Design C25	Coastline Design C25
Spinney	Vogue C25	Vogue C25
Brownhills	Champagne C205	Champagne C205
Lowdhams	Freestyle C205	Freestyle C205
Knowepark	Searcher C25	Searcher C25
Webbs & Dolphin	Spirit C205	Spirit C205
Glossop	Celebration C205	Celebration C205
Wandahome	Corniche 325	Corniche 325
Roof Profile	Low Line	
Engine	120 MJT	140 MJT Auto
Engine Capacity	2.3ltr	2.3ltr
Max Power	120 HP @ 2750rpm	140 HP @ 3500rpm
Torque	320Nm @ 1400rpm	350Nm @ 1400rpm
Chassis	MLWB Fiat Chassis	
Wheel base	3.80m/126"	
Designated Passenger Seats excluding Driver	3	
Berths (sleeping positions)	2	
Overall Length	5.99m/198"	
Overall Width (mirrors folded)	2.26m/75"	
Overall Height	2.78m/9'1"	
Maximum Technical Permissible Laden Mass (A)	3300kg	
Mass in Running Order (B)	2765kg	2798kg
Maximum User Payload (A-B)	535kg	502kg
Unladen Weight	2622kg	2655kg
Essential Habitation Equipment	0kg	
Thermal Insulation Grade	THREE	
Bed Sizes		
Front Double		
Front Nearside Single		
Front Offside Single		
Rear Double	194cm x 131cm / 6'4" x 4'4"	
Rear Nearside Single		
Rear Offside Single		
Rear Bunk (Upper)		
Rear Bunk (Lower)		

NOTE: 1. **The Maximum User Payload** includes:

- the **conventional load** (this is the allowance for passengers)
- essential habitation equipment** (items and fluids required for safe and proper functioning of habitation equipment)
- optional equipment** (items available from the manufacturer over and above the standard specification)
- personal effects** (those items not covered by the above)

2. The **Mass in Running Order** is the mass of the unladen vehicle including a 75kg allowance for the driver plus engine coolants and 90% of the fuel tank and 1 x 6kg Calor Lite cylinder.

3. The MRO is calculated with the fresh water tank empty. If you travel with water in the fresh water tank then the payload will reduce accordingly.

4. PLEASE TAKE CARE TO ENSURE THAT YOU HAVE ALLOWED FOR THE MASSES OF ALL ITEMS YOU INTEND TO CARRY IN THE MOTOR CARAVAN, e.g. passengers, optional equipment, essential habitation equipment and personal effects, such as clothing, food, pets, bicycles, sailboards, sports equipment etc.

5. **WARNING** - UNDER NO CIRCUMSTANCES SHOULD THE MAXIMUM TECHNICAL PERMISSIBLE LADEN MASS OF THIS MOTOR CARAVAN BE EXCEEDED.

Est = Estimated

Escape Compact C402 Standard	Escape Compact C402 Optional
Coastline Design C40	Coastline Design C40
Vogue C40	Vogue C40
Champagne C402	Champagne C402
Freestyle C402	Freestyle C402
Searcher C40	Searcher C40
Spirit C402	Spirit C402
Celebration C402	Celebration C402
Corniche C402	Corniche C402
Low Line	
120 MJT	140 MJT Auto
2.3ltr	2.3ltr
120 HP @ 2750rpm	140 HP @ 3500rpm
320Nm @ 1400rpm	350Nm @ 1400rpm
MLWB Fiat Chassis	
3.80m/12'6"	
3	
2	
5.99m/19'8"	
2.26m/7'5"	
2.78m/9'1"	
3300kg	
2770kg	2803kg
530kg	497kg
2627kg	2660kg
0kg	
THREE	
193cm x 120cm / 6'4" x 3'11"	

Dealer Special Editions based on Escape Compact

Model	Escape Compact C404 Standard	Escape Compact C404 Optional
Dealer		
Highbridge	Coastline Design C40	Coastline Design C40
Spinney	Vogue C40	Vogue C40
Brownhills	Champagne C404	Champagne C404
Lowdhams	Freestyle C404	Freestyle C404
Knowepark	Searcher C40	Searcher C40
Webbs & Dolphin	Spirit C404	Spirit C404
Glossop	Celebration C404	Celebration C404
Wandahome	Corniche 340	Corniche 340
Roof Profile	Low Line	
Engine	120 MJT	140 MJT Auto
Engine Capacity	2.3ltr	2.3ltr
Max Power	120 HP @ 2750rpm	140 HP @ 3500rpm
Torque	320Nm @ 1400rpm	350Nm @ 1400rpm
Chassis	MLWB Fiat Chassis	
Wheel base	3.80m/12'6"	
Designated Passenger Seats excluding Driver	3	
Berths (sleeping positions)	4	
Overall Length	5.99m/19'8"	
Overall Width (mirrors folded)	2.26m/7'5"	
Overall Height	2.78m/9'1"	
Maximum Technical Permissible Laden Mass (A)	3300kg	
Mass in Running Order (B)	2835kg	2868kg
Maximum User Payload (A-B)	465kg	432kg
Unladen Weight	2692kg	2725kg
Essential Habitation Equipment	0kg	
Thermal Insulation Grade	THREE	
Bed Sizes		
Rear Double	193cm x 120cm / 6'4" x 3'11"	
Drop Down Bed	183cm x 118cm / 6'1" x 3'10"	

NOTE: 1. The Maximum User Payload includes:

- the **conventional load** (this is the allowance for passengers)
- essential habitation equipment** (items and fluids required for safe and proper functioning of habitation equipment)
- optional equipment** (items available from the manufacturer over and above the standard specification)
- personal effects** (those items not covered by the above)

2. The **Mass in Running Order** is the mass of the unladen vehicle including a 75kg allowance for the driver plus engine coolants and 90% of the fuel tank and 1 x 6kg Calor Lite cylinder.

3. The MRO is calculated with the fresh water tank empty. If you travel with water in the fresh water tank then the payload will reduce accordingly.

4. PLEASE TAKE CARE TO ENSURE THAT YOU HAVE ALLOWED FOR THE MASSES OF ALL ITEMS YOU INTEND TO CARRY IN THE MOTOR CARAVAN, e.g. passengers, optional equipment, essential habitation equipment and personal effects, such as clothing, food, pets, bicycles, sailboards, sports equipment etc.

5. **WARNING** - UNDER NO CIRCUMSTANCES SHOULD THE MAXIMUM TECHNICAL PERMISSIBLE LADEN MASS OF THIS MOTOR CARAVAN BE EXCEEDED.

Est = Estimated



Dealer Special Editions based on Escape

Model	Escape 604 Standard	Escape 604 Optional
Dealer		
3As	Charisma 604	Charisma 604
Highbridge	Coastline 604	Coastline 604
Spinney	Vogue 604	Vogue 604
Brownhills	Champagne 604	Champagne 604
Lowdhams	Freestyle 604	Freestyle 604
Knowepark	Searcher 604	Searcher 604
Webbs & Dolphin	Spirit 604	Spirit 604
Glossop	Celebration 604	Celebration 604
Wandahome	Corniche 604	Corniche 604
Sussex Caravans		
Merit RV (New Zealand)		
Roof Profile		Low Line
Engine	120 MJT	140 MJT Auto
Engine Capacity	2.3ltr	2.3ltr
Max Power	120 HP @ 2750rpm	140 HP @ 3500rpm
Torque	320Nm @ 1400rpm	350Nm @ 1400rpm
Chassis		MLWB Fiat Chassis
Wheel base		3.80m/126"
Designated Passenger Seats excluding Driver		3
Berths (sleeping positions)		4
Overall Length		5.97m/197"
Overall Width (mirrors folded)		2.31m/77"
Overall Height		2.91m/9'6"
Maximum Technical Permissible Laden Mass (A)		3500kg
Mass in Running Order (B)	2917kg	2950kg
Maximum User Payload (A-B)	583kg	550kg
Unladen Weight	2774kg	2807kg
Essential Habitation Equipment	0kg	
Thermal Insulation Grade		THREE
Bed Sizes		
Front Double		209cm x 148cm / 103cm / 6'10" x 4'10/3'5"
Front Nearside Single		
Front Offside Single		
Rear Double		
Rear Nearside Single		
Rear Offside Single		
Rear Bunk (Upper)		
Rear Bunk (Lower)		
Front Drop Down Bed		193cm x 127cm / 6'4" x 4'2"

NOTE: 1. The Maximum User Payload includes:

- the **conventional load** (this is the allowance for passengers)
- essential habitation equipment** (items and fluids required for safe and proper functioning of habitation equipment)
- optional equipment** (items available from the manufacturer over and above the standard specification)
- personal effects** (those items not covered by the above)

2. The **Mass in Running Order** is the mass of the unladen vehicle including a 75kg allowance for the driver plus engine coolants and 90% of the fuel tank and 1 x 6kg Calor Lite cylinder.

3. The MRO is calculated with the fresh water tank empty. If you travel with water in the fresh water tank then the payload will reduce accordingly.

4. PLEASE TAKE CARE TO ENSURE THAT YOU HAVE ALLOWED FOR THE MASSES OF ALL ITEMS YOU INTEND TO CARRY IN THE MOTOR CARAVAN, e.g. passengers, optional equipment, essential habitation equipment and personal effects, such as clothing, food, pets, bicycles, sailboards, sports equipment etc.

5. **WARNING - UNDER NO CIRCUMSTANCES SHOULD THE MAXIMUM TECHNICAL PERMISSIBLE LADEN MASS OF THIS MOTOR CARAVAN BE EXCEEDED.**

Est = Estimated

Dealer Special Editions based on Escape

Model	Escape 614 Standard	Escape 614 Optional
Dealer		
3 As	Charisma 614	Charisma 614
Lowdhams	Hi-Style 614	Hi-Style 614
Dolphin	Spirit 614	Spirit 614
Brownhills	Champagne 614	Champagne 614
Spinney	Vogue 614	Vogue 614
Merit (NZ)		
Roof Profile	Low Line	
Engine	120 MJT	140 MJT Auto
Engine Capacity	2.3ltr	2.3ltr
Max Power	120 HP @ 2750rpm	140 HP @ 3500rpm
Torque	320Nm @ 1400rpm	350Nm @ 1400rpm
Chassis	MLWB Fiat Chassis	
Wheel base	3.80m/126"	
Designated Passenger Seats excluding Driver	3	
Berths (sleeping positions)	4	
Overall Length	6.72m/221"	
Overall Width (mirrors folded)	2.31m/7'7"	
Overall Height	2.91m/9'6"	
Maximum Technical Permissible Laden Mass (A)	3500kg	
Mass in Running Order (B)	3020kg	3053kg
Maximum User Payload (A-B)	480kg	447kg
Unladen Weight	2877kg	2910kg
Essential Habitation Equipment	0kg	
Thermal Insulation Grade	THREE	
Bed Sizes		
Front Double	209cm x 148cm/103cm / 6'10" x 4'10" / 3'5"	
Front Nearside Single		
Front Offside Single		
Rear Double		
Rear Nearside Single		
Rear Offside Single		
Rear Bunk (Upper)		
Rear Bunk (Lower)		
Front Drop Down Bed	193cm x 127cm / 6'4" x 4'2"	

NOTE: 1. The Maximum User Payload includes:

- the **conventional load** (this is the allowance for passengers)
- essential habitation equipment** (items and fluids required for safe and proper functioning of habitation equipment)
- optional equipment** (items available from the manufacturer over and above the standard specification)
- personal effects** (those items not covered by the above)

2. The **Mass in Running Order** is the mass of the unladen vehicle including a 75kg allowance for the driver plus engine coolants and 90% of the fuel tank and 1 x 6kg Calor Lite cylinder.

3. The MRO is calculated with the fresh water tank empty. If you travel with water in the fresh water tank then the payload will reduce accordingly.

4. PLEASE TAKE CARE TO ENSURE THAT YOU HAVE ALLOWED FOR THE MASSES OF ALL ITEMS YOU INTEND TO CARRY IN THE MOTOR CARAVAN, e.g. passengers, optional equipment, essential habitation equipment and personal effects, such as clothing, food, pets, bicycles, sailboards, sports equipment etc.

5. **WARNING - UNDER NO CIRCUMSTANCES SHOULD THE MAXIMUM TECHNICAL PERMISSIBLE LADEN MASS OF THIS MOTOR CARAVAN BE EXCEEDED.**

Est = Estimated

Escape 622 Standard	Escape 622 Optional
Charisma 622	Charisma 622
Hi-Style 622	Hi-Style 622
Spirit 622	Spirit 622
Champagne 622	Champagne 622
Vogue 622	Vogue 622
Low Line	
120 MJT 2.3ltr	140 MJT Auto 2.3ltr
120 HP @ 2750rpm 320Nm @ 1400rpm	140 HP @ 3500rpm 350Nm @ 1400rpm
MWB Fiat Chassis	
3.45m/11'4"	
1	
2	
6.29m/20'8"	
2.31m/7'7"	
2.91m/9'6"	
3500kg	
2832kg	2865kg
668kg	635kg
2689kg	2722kg
0kg	
THREE	
208cm x 169cm/ 6'10" x 5'7"	
175cm x 68cm/ 5'9" x 2'3"	
186cm x 68cm/ 6'1" x 2'3"	

Dealer Special Editions based on Escape

Model	Escape 664 Standard	Escape 664 Optional
Dealer		
3 As	Charisma 664	Charisma 664
Lowdhams	Hi-Style 664	Hi-Style 664
Dolphin	Spirit 664	Spirit 664
Brownhills	Champagne 664	Champagne 664
Spinney	Vogue 664	Vogue 664
Merit (NZ)	Voyager 664	Voyager 664
Roof Profile	Low Line	
Engine	120 MJT	140 MJT Auto
Engine Capacity	2.3ltr	2.3ltr
Max Power	120 HP @ 2750rpm	140 HP @ 3500rpm
Torque	320Nm @ 1400rpm	350Nm @ 1400rpm
Chassis	MLWB Fiat Chassis	
Wheel base	3.80m/126"	
Designated Passenger Seats excluding Driver	3	
Berths (sleeping positions)	4	
Overall Length	6.72m/221"	
Overall Width (mirrors folded)	2.31m/7'7"	
Overall Height	2.91m/9'6"	
Maximum Technical Permissible Laden Mass (A)	3500kg	
Mass in Running Order (B)	2927kg	2960kg
Maximum User Payload (A-B)	573kg	540kg
Unladen Weight	2784kg	2817kg
Essential Habitation Equipment	0kg	
Thermal Insulation Grade	THREE	
Bed Sizes		
Front Double	209cm x 123cm/92cm / 6'9" x 4'0"/3'0"	
Front Nearside Single		
Front Offside Single		
Rear Double	187cm x 126cm / 6'2" x 4'2"	
Rear Nearside Single		
Rear Offside Single		
Rear Bunk (Upper)		
Rear Bunk (Lower)		
Front Drop Down Bed		

NOTE: 1. The Maximum User Payload includes:

- the **conventional load** (this is the allowance for passengers)
- essential habitation equipment** (items and fluids required for safe and proper functioning of habitation equipment)
- optional equipment** (items available from the manufacturer over and above the standard specification)
- personal effects** (those items not covered by the above)

2. The **Mass in Running Order** is the mass of the unladen vehicle including a 75kg allowance for the driver plus engine coolants and 90% of the fuel tank and 1 x 6kg Calor Lite cylinder.

3. The MRO is calculated with the fresh water tank empty. If you travel with water in the fresh water tank then the payload will reduce accordingly.

4. PLEASE TAKE CARE TO ENSURE THAT YOU HAVE ALLOWED FOR THE MASSES OF ALL ITEMS YOU INTEND TO CARRY IN THE MOTOR CARAVAN, e.g. passengers, optional equipment, essential habitation equipment and personal effects, such as clothing, food, pets, bicycles, sailboards, sports equipment etc.

5. **WARNING - UNDER NO CIRCUMSTANCES SHOULD THE MAXIMUM TECHNICAL PERMISSIBLE LADEN MASS OF THIS MOTOR CARAVAN BE EXCEEDED.**

Est = Estimated

Escape 674 Standard	Escape 674 Drop Down Bed & Travelling Seat	Escape 674 Optional	Escape 674 Drop Down Bed & Travelling Seat Optional
Charisma 674			Charisma 674
Hi-Style 674			Hi-Style 674
Spirit 674			Spirit 674
Champagne 674			Champagne 674
Vogue 674			Vogue 674
Voyager 674			Voyager 674
Low Line			
120 MJT			140 MJT Auto
2.3ltr			2.3ltr
120 HP @ 2750rpm			140 HP @ 3500rpm
320Nm @ 1400rpm			350Nm @ 1400rpm
Flat / Al-Ko Chassis			
4.65m/15'3"			
3	4	3	4
4	6	4	6
7.41m/24'4"			
2.31m/7'7"			
2.88m/9'5"			
3500kg	3650kg	3500kg	3650kg
3002kg	3102kg	3050kg	3150kg
498kg	548kg	450kg	500kg
2871kg	2971kg	2919kg	3019kg
0kg			
THREE			
209cm x 148cm/103cm / 6'10" x 4'10" / 3'5"			
206cm x 183cm / 6'9" x 6'0"			
183cm x 68cm / 6'0" x 2'3"			
191cm x 68cm / 6'3" x 2'3"			
193cm x 127cm / 6'3" x 4'2" (opt)			

Dealer Special Editions based on Escape

Model	Escape 684 Standard	Escape 684 Drop Down Bed & Travelling Seat	Escape 684 Optional	Escape 684 Drop Down Bed & Travelling Seat Optional
Dealer				
3 As	Charisma 684		Charisma 684	
Lowdhams	Hi-Style 684		Hi-Style 684	
Dolphin	Spirit 684		Spirit 684	
Brownhills	Champagne 684		Champagne 684	
Spinney	Vogue 684		Vogue 684	
Merit (NZ)				
Roof Profile	Low Line			
Engine	120 MJT		140 MJT Auto	
Engine Capacity	2.3ltr		2.3ltr	
Max Power	120 HP @ 2750rpm		140 HP @ 3500rpm	
Torque	320Nm @ 1400rpm		350Nm @ 1400rpm	
Chassis	Fiat / Al-Ko Chassis			
Wheel base	4.30m/14'1"			
Designated Passenger Seats excluding Driver	3	4	3	4
Berths (sleeping positions)	4	6	4	6
Overall Length	7.41m/24'4"			
Overall Width (mirrors folded)	2.31m/7'7"			
Overall Height	2.88m/9'5"			
Maximum Technical Permissible Laden Mass (A)	3500kg	3650kg	3500kg	3650kg
Mass in Running Order (B)	3000kg	3040kg	3048kg	3148kg
Maximum User Payload (A-B)	500kg	610kg	452kg	502kg
Unladen Weight	2869kg	2909kg	2917kg	3017kg
Essential Habitation Equipment	0kg			
Thermal Insulation Grade	THREE			
Bed Sizes				
Front Double	209cm x 139/103cm / 6'10" x 4'7"/3'5"			
Front Nearside Single				
Front Offside Single				
Rear Double	208cm x 145cm / 6'10" x 4'9"			
Rear Nearside Single	192cm x 080cm / 6'4" x 2'7"			
Rear Offside Single	192cm x 080cm / 6'4" x 2'7"			
Rear Bunk (Upper)				
Rear Bunk (Lower)				
Front Drop Down Bed Bed	193cm x 127cm / 6'4" x 4'2" (opt)			

NOTE: 1. The Maximum User Payload includes:

- the **conventional load** (this is the allowance for passengers)
- essential habitation equipment** (items and fluids required for safe and proper functioning of habitation equipment)
- optional equipment** (items available from the manufacturer over and above the standard specification)
- personal effects** (those items not covered by the above)

2. The **Mass in Running Order** is the mass of the unladen vehicle including a 75kg allowance for the driver plus engine coolants and 90% of the fuel tank and 1 x 6kg Calor Lite cylinder.

3. The MRO is calculated with the fresh water tank empty. If you travel with water in the fresh water tank then the payload will reduce accordingly.

4. PLEASE TAKE CARE TO ENSURE THAT YOU HAVE ALLOWED FOR THE MASSES OF ALL ITEMS YOU INTEND TO CARRY IN THE MOTOR CARAVAN, e.g. passengers, optional equipment, essential habitation equipment and personal effects, such as clothing, food, pets, bicycles, sailboards, sports equipment etc.

5. **WARNING - UNDER NO CIRCUMSTANCES SHOULD THE MAXIMUM TECHNICAL PERMISSIBLE LADEN MASS OF THIS MOTOR CARAVAN BE EXCEEDED.**

Est = Estimated

Escape 694 Standard	Escape 694 Drop Down Bed & Travelling Seat	Escape 694 Optional	Escape 694 Drop Down Bed & Travelling Seat Optional
Charisma 694		Charisma 694	
Hi-Style 694		Hi-Style 694	
Spirit 694		Spirit 694	
Champagne 694		Champagne 694	
Vogue 694		Vogue 694	
Voyager 694		Voyager 694	
Low Line			
120 MJT		140 MJT Auto	
2.3ltr		2.3ltr	
120 HP @ 2750rpm		140 HP @ 3500rpm	
320Nm @ 1400rpm		350Nm @ 1400rpm	
Flat / Al-Ko Chassis			
4.30m/14'1"			
3	4	3	4
4	6	4	6
7.41m/24'4"			
2.31m/7'7"			
2.88m/9'5"			
3500kg	3500kg	3500kg	3650kg
2982kg	3022kg	3030kg	3130kg
518kg	478kg	470kg	520kg
2851kg	2891kg	2899kg	2999kg
0kg			
THREE			
209cm x 148cm/103cm / 6'10" x 4'10" / 3'5"			
183cm x 133cm / 6'0" x 4'4"			
193cm x 127cm / 6'4" x 4'2" (opt)			

Dealer Special Editions based on Kon-Tiki Sport

Model	Kon-Tiki Sport 524 Standard	Kon-Tiki Sport 524 Option
Dealer		
Lowdhams	Hi-Style 524	Hi-Style 524
Roof Profile	High Line	
Engine	160 MJT	160 MJT AUTO (Option)
Engine Capacity	2.3Ltr	
Max Power	150 HP @ 3500rpm	150 HP @ 3500rpm
Torque	380Nm @ 1500rpm	400Nm @ 1500rpm
Chassis	MLWB Flat Low Line Chassis	
Wheel base	3.80m/12'6"	
Designated Passenger Seats excluding Driver	3	
Berths (sleeping positions)	4	
Overall Length	5.99m / 19'8"	
Overall Width (mirrors folded)	2.38m/7'10"	
Overall Height	2.82m/9'3"	
Maximum Technical Permissible Laden Mass (A)	3500kg	
Mass in Running Order (B)	3075kg Est	3093kg Est
Maximum User Payload (A-B)	425kg Est	407kg Est
Unladen Weight	2921kg Est	2939kg Est
Essential Habitation Equipment	0kg	
Thermal Insulation Grade	THREE	
Bed Sizes		
Front Double	209cm x 150cm/103cm / 6'10" x 4'11"/35"	
Front Nearside Single		
Front Offside Single		
Rear Double		
Rear Nearside Single		
Rear Offside Single		
Manual Drop Down Bed	190cm x 127cm / 6'3" x 4'2"	

NOTE: 1. The Maximum User Payload includes:

- the **conventional load** (this is the allowance for passengers)
- essential habitation equipment** (items and fluids required for safe and proper functioning of habitation equipment)
- optional equipment** (items available from the manufacturer over and above the standard specification)
- personal effects** (those items not covered by the above)

2. The **Mass in Running Order** is the mass of the unladen vehicle including a 75kg allowance for the driver plus engine coolants and 90% of the fuel tank and 1 x 6kg Calor Lite cylinder.

3. The MRO is calculated with the fresh water tank empty. If you travel with water in the fresh water tank then the payload will reduce accordingly.

4. PLEASE TAKE CARE TO ENSURE THAT YOU HAVE ALLOWED FOR THE MASSES OF ALL ITEMS YOU INTEND TO CARRY IN THE MOTOR CARAVAN, e.g. passengers, optional equipment, essential habitation equipment and personal effects, such as clothing, food, pets, bicycles, sailboards, sports equipment etc.

5. **WARNING** - UNDER NO CIRCUMSTANCES SHOULD THE MAXIMUM TECHNICAL PERMISSIBLE LADEN MASS OF THIS MOTOR CARAVAN BE EXCEEDED.

Est = Estimated

Kon-Tiki Sport 560 Standard	Kon-Tiki Sport 560 Option	Kon-Tiki Sport 560 Lounge Standard	Kon-Tiki Sport 560 Lounge Option
Hi-Style 560		Hi-Style 560 Lounge	
Low Line			
160 MJT	160 MJT AUTO (Option)	160 MJT	160 MJT AUTO (Option)
2.3Ltr			
150 HP @ 3500rpm	150 HP @ 3500rpm	150 HP @ 3500rpm	150 HP @ 3500rpm
380Nm @ 1500rpm	400Nm @ 1500rpm	380Nm @ 1500rpm	400Nm @ 1500rpm
LWB Fiat Low Line Chassis			
4.04m/13'3"			
3		1	
4			
7.09m/23'3"			
2.38m/7'10"			
2.82m/9'3"			
3650kg		3500kg	
3172kg Est	3190kg Est	3132kg Est	3150kg Est
478kg Est	460kg Est	368kg Est	350kg Est
3018kg Est	3036kg Est	2978kg Est	2996kg Est
0kg			
THREE			
209cm x 123cm/103cm / 6'10" x 4'0"/3'5"		201cm x 120cm/103cm / 6'7" x 3'11"/3'5"	
190cm x 126cm / 6'3" x 4'2"			

Dealer Special Editions based on Kon-Tiki Sport

Model	Kon-Tiki Sport 562 Standard	Kon-Tiki Sport 562 Option
Dealer		
Lowdhams	Hi-Style 562	
Roof Profile	High Line	
Engine	160 MJT	160 MJT AUTO (Option)
Engine Capacity	2.3Ltr	
Max Power	150 HP @ 3500rpm	150 HP @ 3500rpm
Torque	380Nm @ 1500rpm	400Nm @ 1500rpm
Chassis	MWB Fiat Low Line Chassis	
Wheel base	3.45m/11'4"	
Designated Passenger Seats excluding Driver	1	
Berths (sleeping positions)	2	
Overall Length	6.54m/21'5"	
Overall Width (mirrors folded)	2.38m/7'10"	
Overall Height	2.82m/9'3"	
Maximum Technical Permissible Laden Mass (A)	3500kg	
Mass in Running Order (B)	3050kg Est	3068kg Est
Maximum User Payload (A-B)	450kg Est	432kg Est
Unladen Weight	2896kg Est	2914kg Est
Essential Habitation Equipment	0kg	
Thermal Insulation Grade	THREE	
Bed Sizes		
Front Double		
Front Nearside Single		
Front Offside Single		
Rear Double	202cm x 182cm / 6'8" x 6'0"	
Rear Nearside Single	182cm x 69cm / 6'0" x 2'3"	
Rear Offside Single	182cm x 69cm / 6'0" x 2'3"	
Manual Drop Down Bed		

NOTE: 1. The Maximum User Payload includes:

- the **conventional load** (this is the allowance for passengers)
- essential habitation equipment** (items and fluids required for safe and proper functioning of habitation equipment)
- optional equipment** (items available from the manufacturer over and above the standard specification)
- personal effects** (those items not covered by the above)

2. The **Mass in Running Order** is the mass of the unladen vehicle including a 75kg allowance for the driver plus engine coolants and 90% of the fuel tank and 1 x 6kg Calor Lite cylinder.

3. The MRO is calculated with the fresh water tank empty. If you travel with water in the fresh water tank then the payload will reduce accordingly.

4. PLEASE TAKE CARE TO ENSURE THAT YOU HAVE ALLOWED FOR THE MASSES OF ALL ITEMS YOU INTEND TO CARRY IN THE MOTOR CARAVAN, e.g. passengers, optional equipment, essential habitation equipment and personal effects, such as clothing, food, pets, bicycles, sailboards, sports equipment etc.

5. **WARNING** - UNDER NO CIRCUMSTANCES SHOULD THE MAXIMUM TECHNICAL PERMISSIBLE LADEN MASS OF THIS MOTOR CARAVAN BE EXCEEDED.

Est = Estimated

Kon-Tiki Sport 574 Standard		Kon-Tiki Sport 574 Option		Kon-Tiki Sport 574 Lounge Standard		Kon-Tiki Sport 574 Lounge Option			
Hi-Style 574									
Low Line									
160 MJT		140 / 160 / 180 MJT AUTO		160 / 180 MJT		140 / 160 / 180 MJT AUTO			
2.3Ltr									
150 HP @ 3500rpm		140 HP @ 3500rpm	150 HP @ 3500rpm	178 HP @ 3500rpm	150 HP @ 3500rpm	178 HP @ 3500rpm	140 HP @ 3500rpm	150 HP @ 3500rpm	178 HP @ 3500rpm
380Nm @ 1500rpm		350Nm @ 1400rpm	400Nm @ 1500rpm	450Nm @ 1500rpm	380Nm @ 1500rpm	400Nm @ 1500rpm	350Nm @ 1400rpm	400Nm @ 1500rpm	450Nm @ 1500rpm
Fiat / AL-KO Low Line Chassis									
4.40m/14'5"									
3									
4									
7.77m/25'6"									
2.38m/7'10"									
2.76m/9'1"									
4250kg				3500kg					
3360kg Est		3378kg Est		3262kg Est		3295kg Est			
890kg Est		872kg Est		238kg Est		205kg Est			
3206kg Est		3224kg Est		3108kg Est		3141kg Est			
0kg									
THREE									
209cm x 123cm/103cm / 6'10" x 40"/3'5"				201cm x 120cm/103cm / 6'7" x 3'11"/3'5"					
201cm x 75cm / 6'7" x 2'5"									
192cm x 75cm / 6'4" x 2'5"									

Dealer Special Editions based on Kon-Tiki Sport

Model	Kon-Tiki Sport 584 Standard	Kon-Tiki Sport 584 option
Dealer		
Lowdhams	Hi-Style 584	
Roof Profile	Low Line	
Engine	160 MJT	140 MJT AUTO (Option)
Engine Capacity	2.3Ltr	
Max Power	150 HP @ 3500rpm	140 HP @ 3500rpm
Torque	380Nm @ 1500rpm	350Nm @ 1400rpm
Chassis	Fiat / AL-KO Low Line Chassis	
Wheel base	4.40m/14'5"	
Designated Passenger Seats excluding Driver	3	
Berths (sleeping positions)	4	
Overall Length	7.77m/25'6"	
Overall Width (mirrors folded)	2.38m/7'10"	
Overall Height	2.76m/9'1"	
Maximum Technical Permissible Laden Mass (A)	4250kg	
Mass in Running Order (B)	3310kg Est	3328kg Est
Maximum User Payload (A-B)	940kg Est	922kg Est
Unladen Weight	3156kg Est	3174kg Est
Essential Habitation Equipment	0kg	
Thermal Insulation Grade	THREE	
Bed Sizes		
Front Double	209cm x 123cm/103cm / 6'10" x 40'/3'5"	
Front Nearside Single		
Front Offside Single		
Rear Double	199cm x 131cm / 6'6" x 44"	
Rear Nearside Single		
Rear Offside Single		
Manual Drop Down Bed		

NOTE: 1. The Maximum User Payload includes:

- the **conventional load** (this is the allowance for passengers)
- essential habitation equipment** (items and fluids required for safe and proper functioning of habitation equipment)
- optional equipment** (items available from the manufacturer over and above the standard specification)
- personal effects** (those items not covered by the above)

2. The **Mass in Running Order** is the mass of the unladen vehicle including a 75kg allowance for the driver plus engine coolants and 90% of the fuel tank and 1 x 6kg Calor Lite cylinder.

3. The MRO is calculated with the fresh water tank empty. If you travel with water in the fresh water tank then the payload will reduce accordingly.

4. PLEASE TAKE CARE TO ENSURE THAT YOU HAVE ALLOWED FOR THE MASSES OF ALL ITEMS YOU INTEND TO CARRY IN THE MOTOR CARAVAN, e.g. passengers, optional equipment, essential habitation equipment and personal effects, such as clothing, food, pets, bicycles, sailboards, sports equipment etc.

5. **WARNING** - UNDER NO CIRCUMSTANCES SHOULD THE MAXIMUM TECHNICAL PERMISSIBLE LADEN MASS OF THIS MOTOR CARAVAN BE EXCEEDED.

Est = Estimated

Kon-Tiki Sport 584 Lounge Standard	Kon-Tiki Sport 584 Lounge Option
Hi-Style 584 Lounge	
Low Line	
160 MJT	140 MJT AUTO (Option)
2.3Ltr	
150 HP @ 3500rpm	140 HP @ 3500rpm
380Nm @ 1500rpm	350Nm @ 1400rpm
Fiat / AL-KO Low Line Chassis	
4.40m/14'5"	
1	
4	
7.77m/25'6"	
2.38m/7'10"	
2.76m/9'1"	
3500kg	
3215kg Est	3248kg Est
285kg Est	252kg Est
3061kg Est	3094kg Est
0kg	
THREE	
201cm x 120cm/103cm / 67" x 3'11" / 35"	
199cm x 131cm / 6'6" x 4'4"	

Dealer Special Editions based on Kon-Tiki Sport

Model	Kon-Tiki Sport 597	Kon-Tiki Sport 597
Dealer		
Lowdhams	Hi-Style 597 lounge	
Roof Profile	Low Line	
Engine	160 MJT	140 MJT AUTO (Option)
Engine Capacity	2.3Ltr	
Max Power	150 HP @ 3500rpm	140 HP @ 3500rpm
Torque	380Nm @ 1500rpm	350Nm @ 1400rpm
Chassis	Fiat / AL-KO Low Line Chassis	
Wheel base	4.70m/15'5"	
Designated Passenger Seats excluding Driver	3	
Berths (sleeping positions)	4	
Overall Length	8.11m/26'7"	
Overall Width (mirrors folded)	2.38m/7'10"	
Overall Height	2.76m/9'1"	
Maximum Technical Permissible Laden Mass (A)	4250kg	
Mass in Running Order (B)	3440kg Est	3458kg Est
Maximum User Payload (A-B)	810kg Est	792kg Est
Unladen Weight	3286kg Est	3304kg Est
Essential Habitation Equipment	0kg	
Thermal Insulation Grade	THREE	
Bed Sizes		
Front Double	209cm x 120cm/103cm / 6'10" x 3'11" / 3'5"	
Front Nearside Single		
Front Offside Single		
Rear Double	216cm x 120cm / 7'1" x 3'11"	
Rear Nearside Single	199cm x 81cm / 6'6" x 2'8"	
Rear Offside Single	199cm x 81cm / 6'6" x 2'8"	
Manual Drop Down Bed		

NOTE: 1. The Maximum User Payload includes:

- the **conventional load** (this is the allowance for passengers)
- essential habitation equipment** (items and fluids required for safe and proper functioning of habitation equipment)
- optional equipment** (items available from the manufacturer over and above the standard specification)
- personal effects** (those items not covered by the above)

2. The **Mass in Running Order** is the mass of the unladen vehicle including a 75kg allowance for the driver plus engine coolants and 90% of the fuel tank and 1 x 6kg Calor Lite cylinder.

3. The MRO is calculated with the fresh water tank empty. If you travel with water in the fresh water tank then the payload will reduce accordingly.

4. PLEASE TAKE CARE TO ENSURE THAT YOU HAVE ALLOWED FOR THE MASSES OF ALL ITEMS YOU INTEND TO CARRY IN THE MOTOR CARAVAN, e.g. passengers, optional equipment, essential habitation equipment and personal effects, such as clothing, food, pets, bicycles, sailboards, sports equipment etc.

5. **WARNING** - UNDER NO CIRCUMSTANCES SHOULD THE MAXIMUM TECHNICAL PERMISSIBLE LADEN MASS OF THIS MOTOR CARAVAN BE EXCEEDED.

Est = Estimated

Model	Kon-Tiki Sport 597 Lounge Standard	Kon-Tiki Sport 597 Lounge Option
Dealer		
Lowdhams	Hi-Style 597 lounge	
Roof Profile	Low Line	
Engine	160 MJT	140 MJT AUTO (Option)
Engine Capacity	2.3Ltr	
Max Power	150 HP @ 3500rpm	140 HP @ 3500rpm
Torque	380Nm @ 1500rpm	350Nm @ 1400rpm
Chassis	Fiat / AL-KO Low Line Chassis	
Wheel base	4.70m/15'5"	
Designated Passenger Seats excluding Driver	1	
Berths (sleeping positions)	4	
Overall Length (no ladder)**	8.11m/26'7"	
Overall Width (mirrors folded)	2.38m/7'10"	
Overall Height**	2.76m/9'1"	
Maximum Technical Permissible Laden Mass (A)	4250kg	
Mass in Running Order (B)	3390kg Est	3408kg Est
Maximum User Payload (A-B)	860kg Est	842kg Est
Unladen Weight	3236kg Est	3254kg Est
Essential Habitation Equipment	0kg	
Thermal Insulation Grade	THREE	
Bed Sizes		
Front Double	201cm x 120cm/103cm / 6'7" x 3'11"/3'5"	
Front Nearside Single		
Front Offside Single		
Rear Double	216cm x 120cm / 7'1" x 3'11"	
Rear Nearside Single	199cm x 81cm / 6'6" x 2'8"	
Rear Offside Single	199cm x 81cm / 6'6" x 2'8"	
Manual Drop Down Bed		

Dealer Special Editions based on Kon-Tiki Sport

Model	Kon-Tiki Sport 599 Standard	Kon-Tiki Sport 599 Option
Dealer		
Lowdhams	Hi-Style 599	
Roof Profile	Low Line	
Engine	160 MJT	140 MJT AUTO (Option)
Engine Capacity	2.3Ltr	
Max Power	150 HP @ 3500rpm	140 HP @ 3500rpm
Torque	380Nm @ 1500rpm	350Nm @ 1400rpm
Chassis	Fiat / AL-KO Low Line Chassis	
Wheel base	4.70m/15'5"	
Designated Passenger Seats excluding Driver	3	
Berths (sleeping positions)	4	
Overall Length	8.11m/26'7"	
Overall Width (mirrors folded)	2.38m/7'10"	
Overall Height	2.76m/9'1"	
Maximum Technical Permissible Laden Mass (A)	4250kg	
Mass in Running Order (B)	3420kg Est	3438kg Est
Maximum User Payload (A-B)	830kg Est	812kg Est
Unladen Weight	3266kg Est	3284kg Est
Essential Habitation Equipment	0kg	
Thermal Insulation Grade	THREE	
Bed Sizes		
Front Double	209cm x 123cm/103cm / 6'10" x 4'0"/3'5"	
Front Nearside Single		
Front Offside Single		
Rear Double	200cm x 133cm / 6'7" x 4'5"	
Rear Nearside Single		
Rear Offside Single		
Manual Drop Down Bed		

NOTE: 1. The Maximum User Payload includes:

- the **conventional load** (this is the allowance for passengers)
- essential habitation equipment** (items and fluids required for safe and proper functioning of habitation equipment)
- optional equipment** (items available from the manufacturer over and above the standard specification)
- personal effects** (those items not covered by the above)

2. The **Mass in Running Order** is the mass of the unladen vehicle including a 75kg allowance for the driver plus engine coolants and 90% of the fuel tank and 1 x 6kg Calor Lite cylinder.

3. The MRO is calculated with the fresh water tank empty. If you travel with water in the fresh water tank then the payload will reduce accordingly.

4. PLEASE TAKE CARE TO ENSURE THAT YOU HAVE ALLOWED FOR THE MASSES OF ALL ITEMS YOU INTEND TO CARRY IN THE MOTOR CARAVAN, e.g. passengers, optional equipment, essential habitation equipment and personal effects, such as clothing, food, pets, bicycles, sailboards, sports equipment etc.

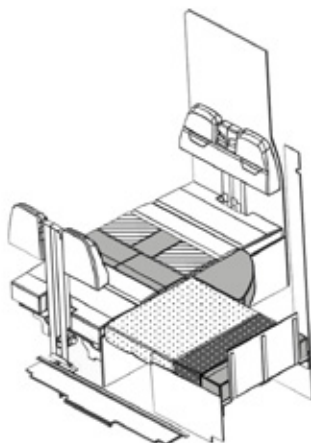
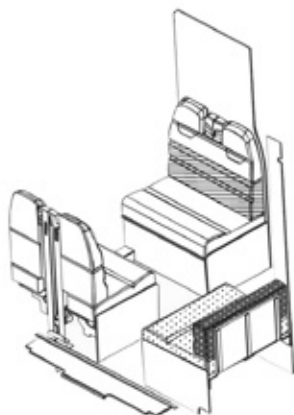
5. **WARNING - UNDER NO CIRCUMSTANCES SHOULD THE MAXIMUM TECHNICAL PERMISSIBLE LADEN MASS OF THIS MOTOR CARAVAN BE EXCEEDED.**

Est = Estimated

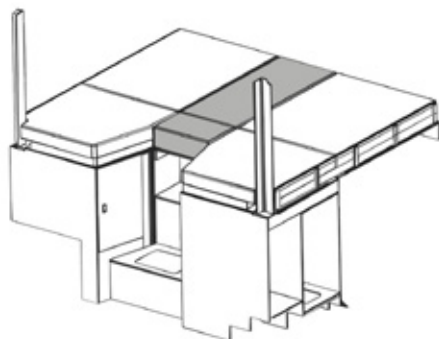
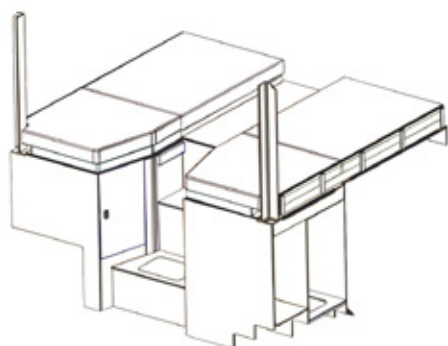
Kon-Tiki Sport 599 Lounge Standard	Kon-Tiki Sport 599 Lounge Option
Hi-Style 599 Lounge	
Low Line	
160 MJT	140 MJT AUTO (Option)
2.3Ltr	
150 HP @ 3500rpm	140 HP @ 3500rpm
380Nm @ 1500rpm	350Nm @ 1400rpm
Flat / AL-KO Low Line Chassis	
4.70m/15'5"	
1	
4	
8.11m/26'7"	
2.38m/7'10"	
2.76m/9'1"	
4250kg	
3370kg	3388kg
880kg	862kg
3216kg	3243kg
0kg	
THREE	
201cm x 120cm/103cm / 67" x 3'11"/3'5"	
200cm x 133cm / 67" x 4'5"	

Edge bed make up

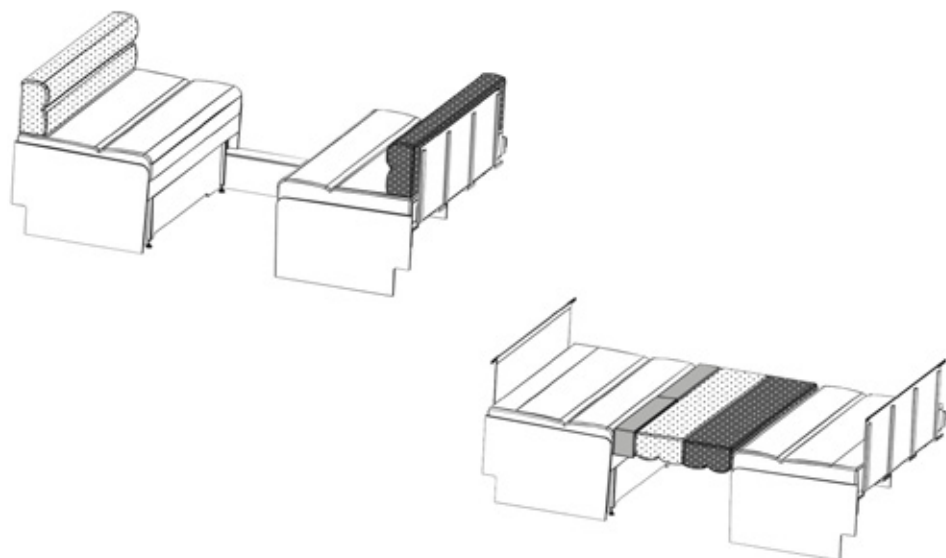
Bed make up in Edge 476 front bed



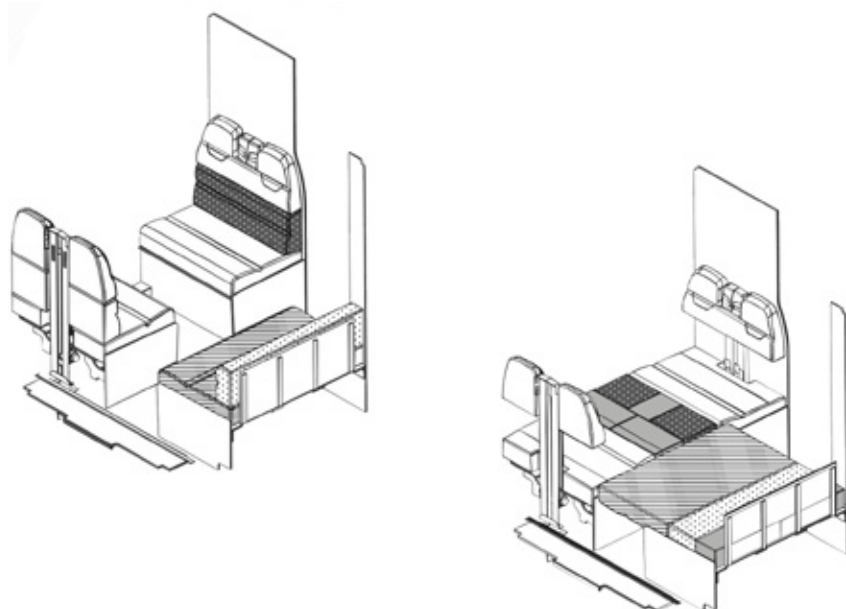
Bed make up in Edge 476 rear bed



Bed make up in Edge 412 front bed and 486 rear bed

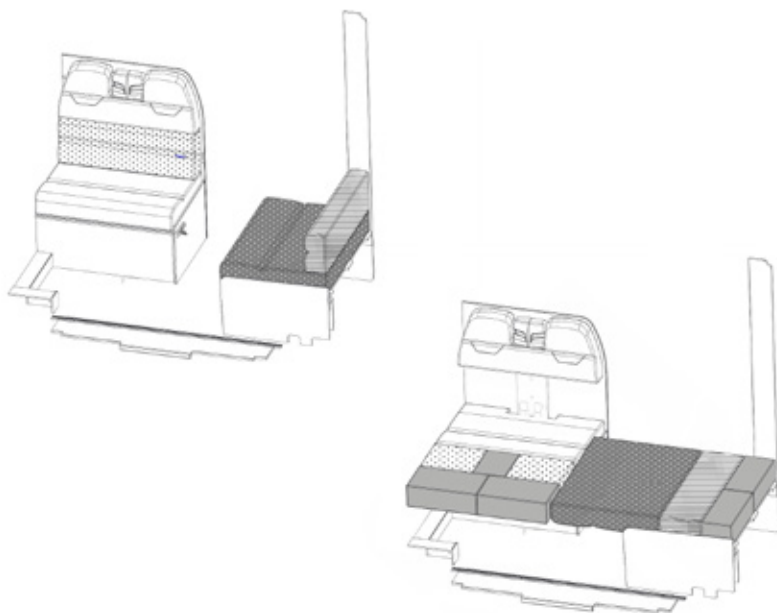


Bed make up in Edge 486 front bed

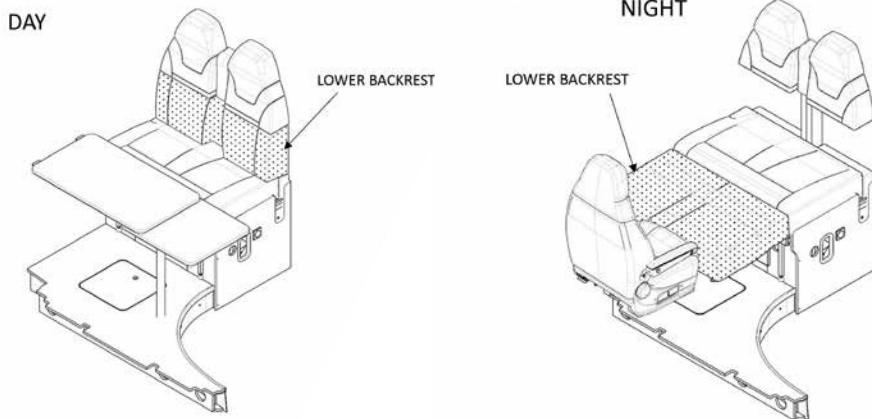


Edge and Escape Compact bed make up

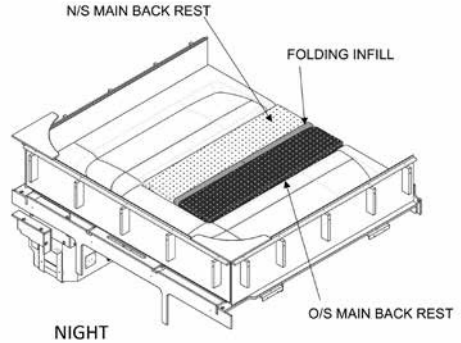
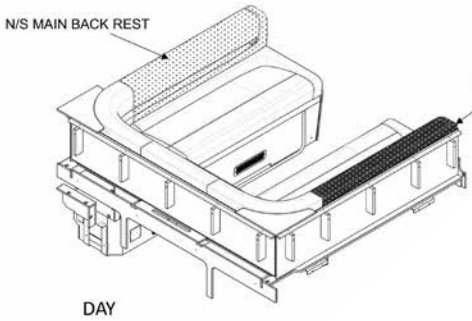
Bed make up in Edge 464 and 494 front bed



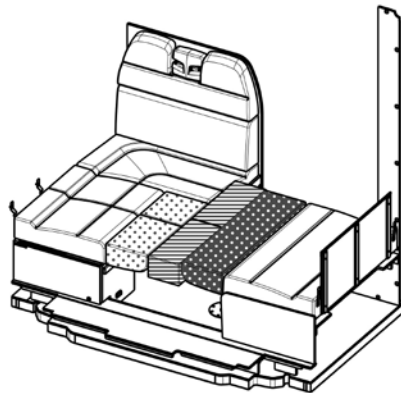
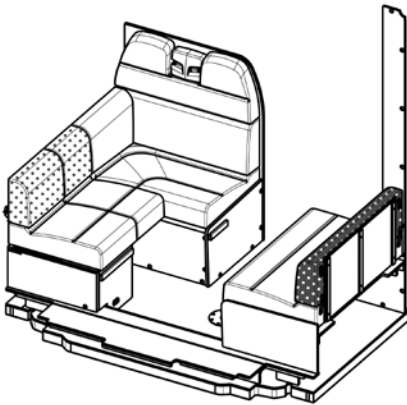
Bed make up in Escape Compact C205 and C402/4 front bed



Bed make up in Escape Compact C402/4 rear bed

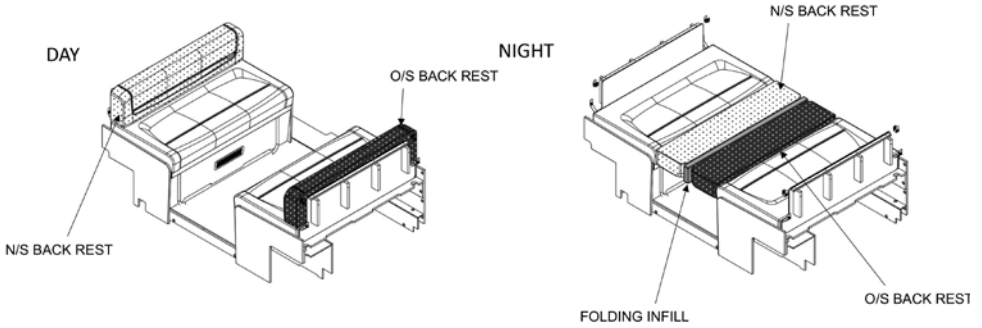


Bed make up in Escape Compact C205 and C402/4 front bed

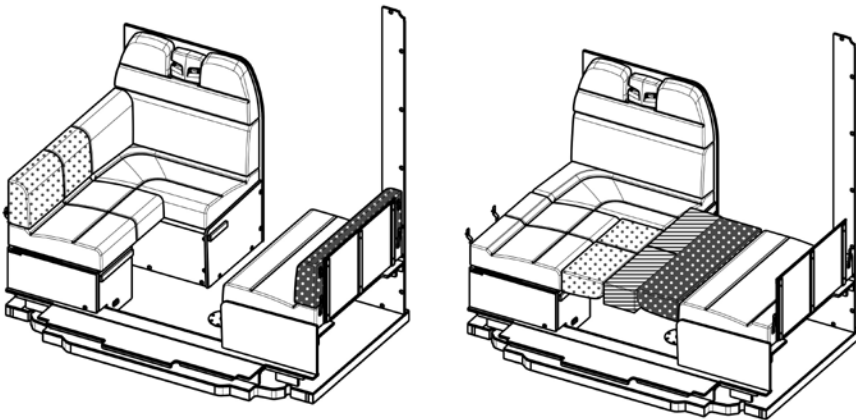


Escape bed make up

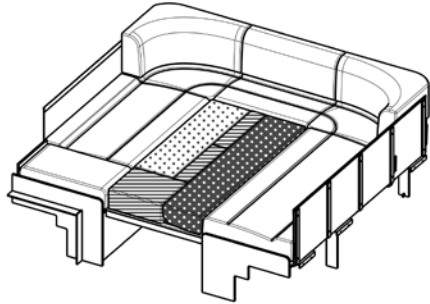
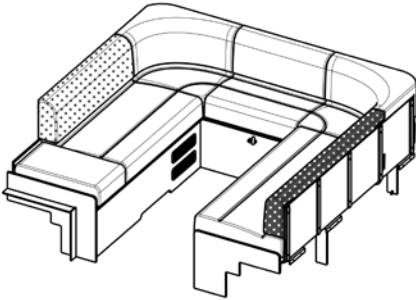
Bed make up in Escape 612 front bed



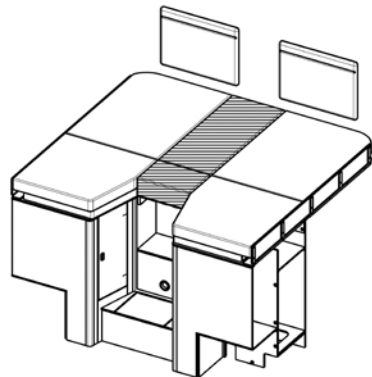
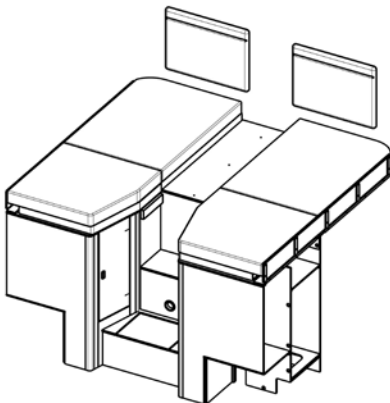
Bed make up in Escape 614, 674, 675, 684 and 694 front bed



Bed make up in Escape 674 rear bed

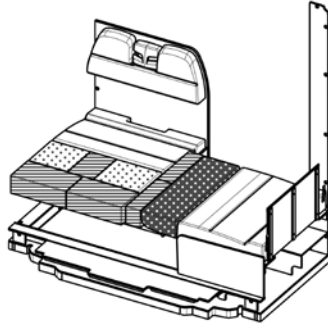
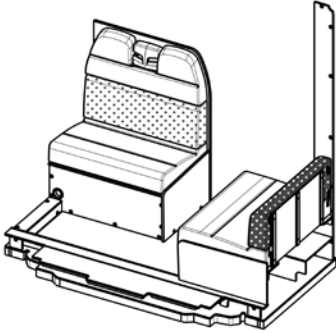


Bed make up in Escape 684 rear bed

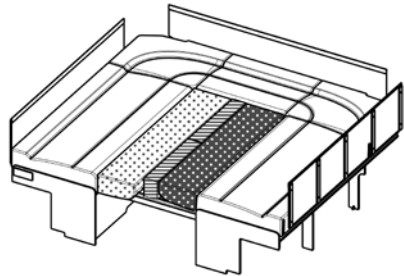
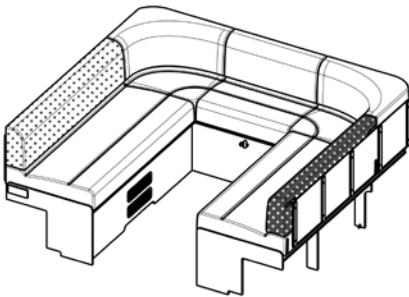


Escape bed make up

Bed make up in Escape 644 front bed

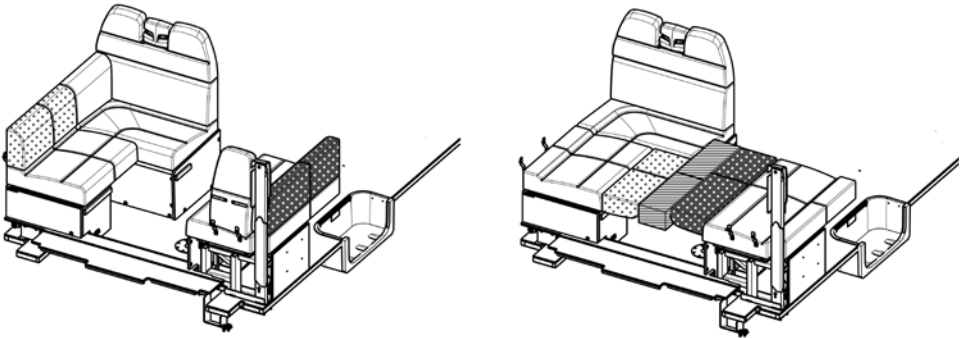


Bed make up in Escape 622 rear bed

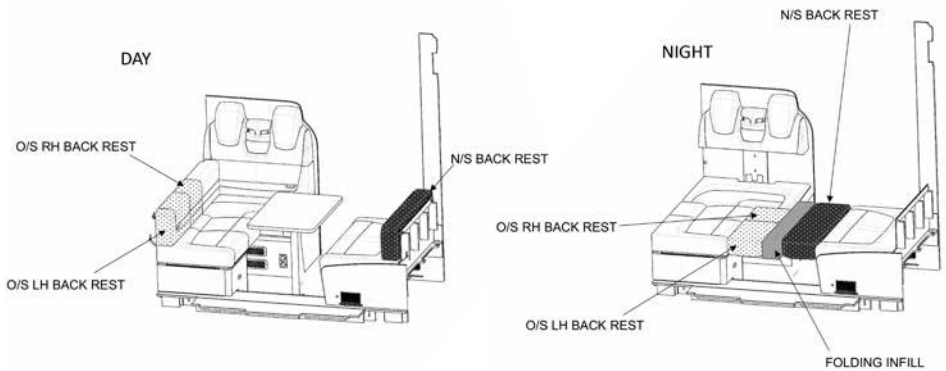


Escape and Kon-Tiki Sport bed make up

Bed make up in Escape (5th belt options only)

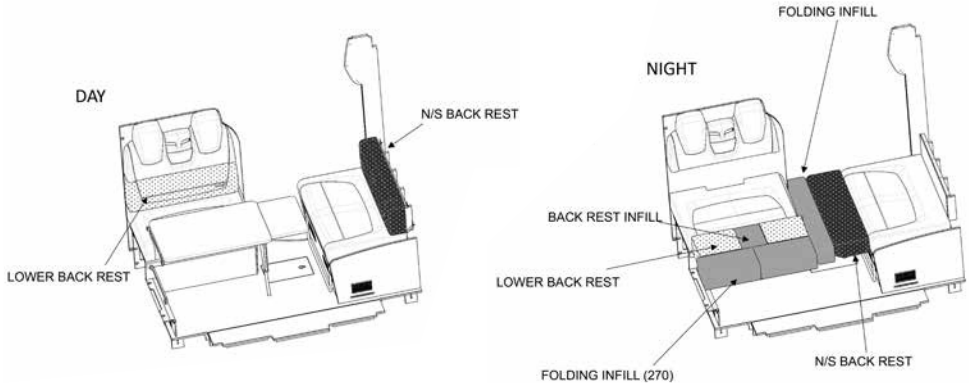


Bed make up in Kon-Tiki Sport 524 front bed

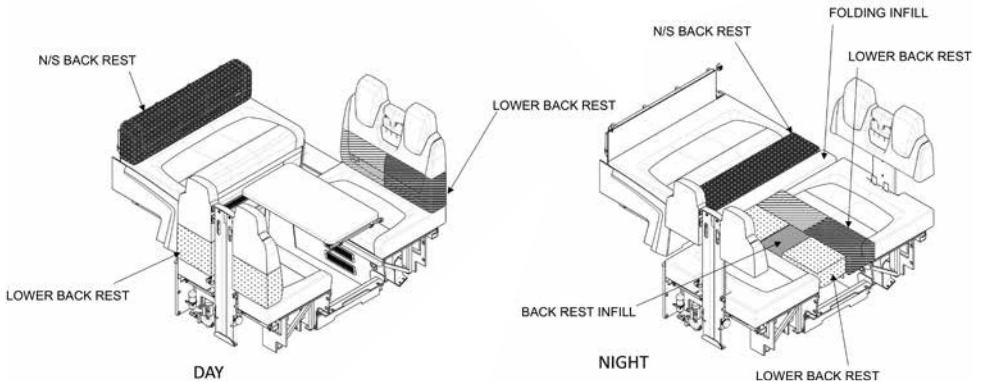


Kon-Tiki Sport bed make up

Bed make up in Kon-Tiki Sport 560, 574, 584, 597 and 599 front bed

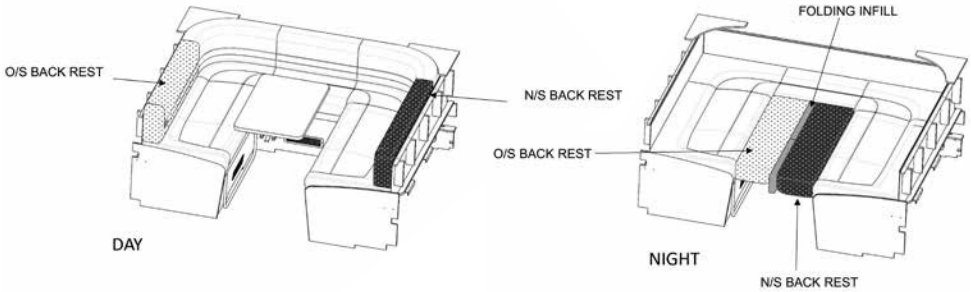


Bed make up in Kon-Tiki Sport 596 front bed

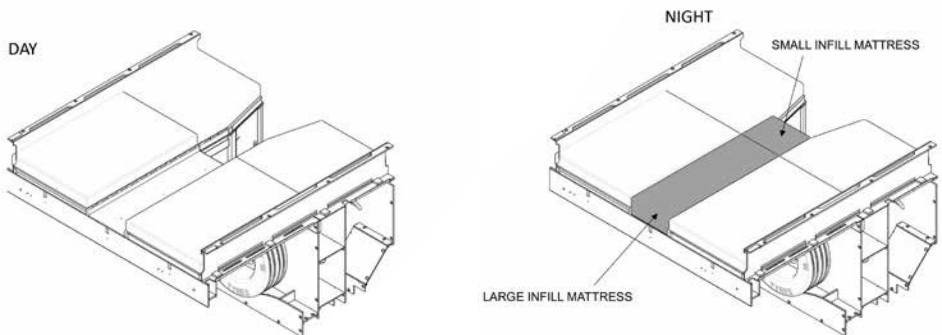


Kon-Tiki Sport bed make up

Bed make up in Kon-Tiki Sport 596 rear bed

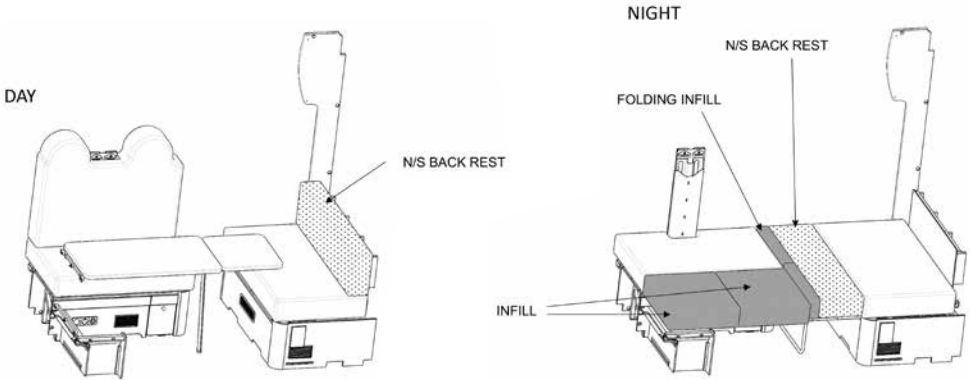


Bed make up in Kon-Tiki Sport 597 rear bed

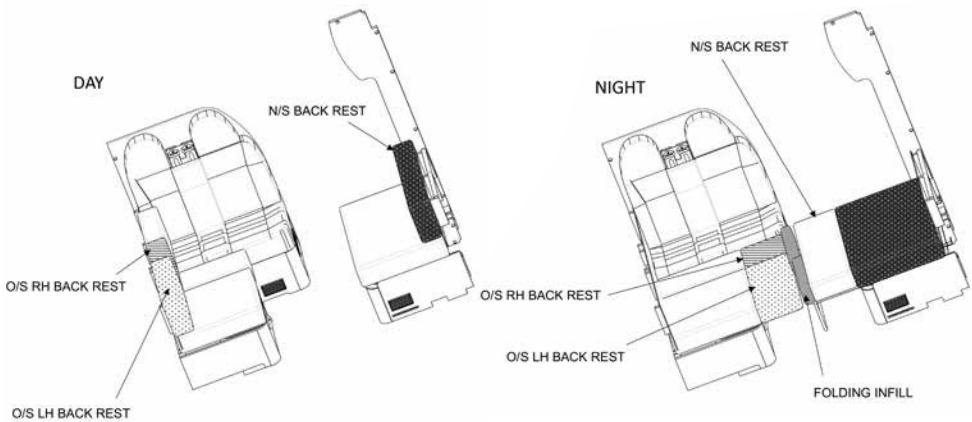


Kon-Tiki bed make up

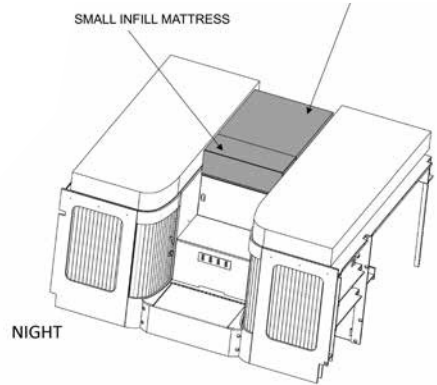
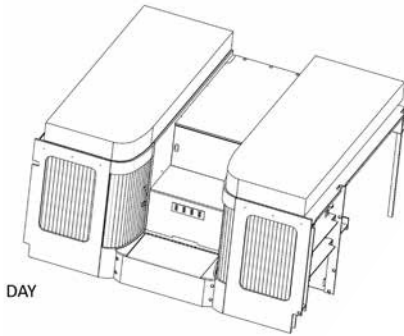
Bed make up in Kon-Tiki 625 front bed



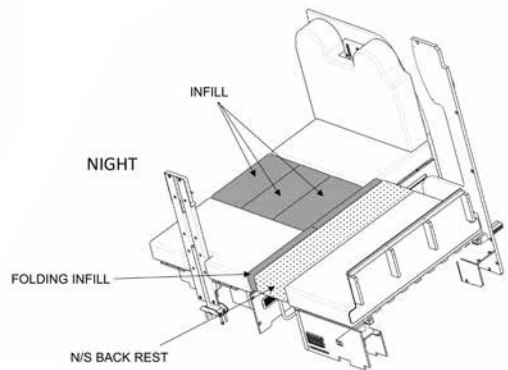
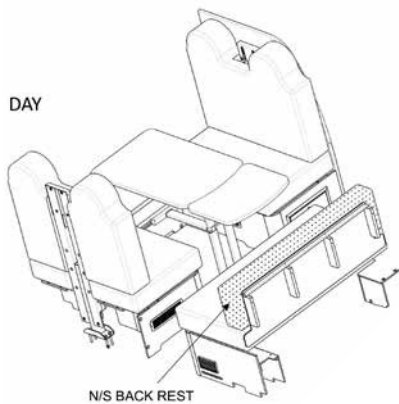
Bed make up in Kon-Tiki 635 front bed



Bed make up in Kon-Tiki 635 rear bed

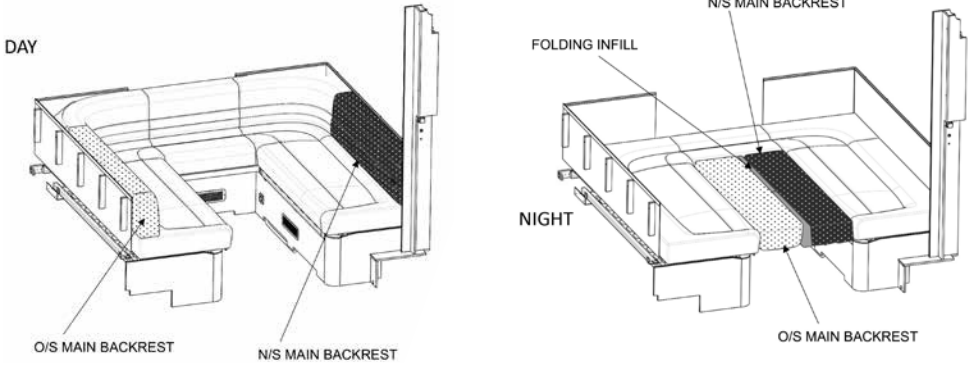


Bed make up in Kon-Tiki 649 front bed

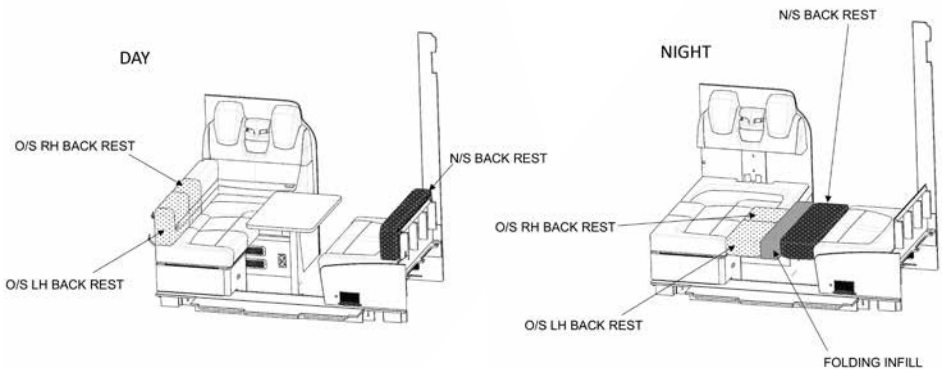


Kon-Tiki bed make up

Bed make up in Kon-Tiki 649 rear bed



Bed make up in Kon-Tiki 650 and 675 front bed



CREATING SMILES FOR LIFE



SWIFT

SWIFT GROUP

Dunswell Road
Cottingham
East Yorkshire
HU16 4JX

Tel: 01482 875740

Fax: 01482 840082

Email: enquiry@swiftgroup.co.uk

FIND OUT MORE AT **SWIFTGROUP.CO.UK**



Brochure



Layouts



Dealer



Video



Social