



***SWIFT***

# ***SWIFT GROUP TECHNICAL HANDBOOK***

*TOURING CARAVANS*

Issued September 2023

Part No. 1449616

# Contents

Basecamp Specification .....	4
Sprite Specification .....	6
Sprite Grande Specification .....	8
Challenger SE Specification .....	10
Challenger Grande SE Specification .....	12
Challenger Exclusive Specification .....	14
Challenger Grande Exclusive Specification .....	16
Elegance Grande Specification .....	18
Wiring Diagrams - Road Lighting .....	20
Wiring Diagrams - Consumer Circuits .....	23
Wiring Diagrams - Consumer Circuits - Roof .....	26
Wiring Diagrams - Power Circuits .....	29
Wiring Diagrams - 230V Circuits .....	34
Wiring Diagrams - 13 Pin Socket .....	35
Wiring Diagrams - Cable Colour Chart .....	36
Bulb Replacement .....	37
Dealer Special specifications based on Sprite .....	38
Dealer Special specifications based on Sprite Grande .....	40
Dealer Special specification based on Elegance Grande .....	42
Bed make up .....	44

# Basecamp Specification

Basecamp	Basecamp 2	Basecamp 3
Berths	2	3
Axles	1	1
Internal Length (bed box height)	3.42m / 11'3"	3.91 / 12'10"
Overall Width**	2.28m / 7'6"	2.28m / 7'6"
Overall Height (inc. TV Aerial)**	2.60m / 8'6"	2.61m / 8'7"
Maximum Internal Headroom	1.95m / 6'5"	1.95m / 6'5"
Overall Length**	5.10m / 16'9"	5.59m / 18'4"
Mass in Running Order (inc. tolerance)	932kg / 18.3cwt	1000kg / 19.7cwt
Maximum Technical Permissible Laden Mass (Lower limit)	1043kg / 20.5cwt	1126kg / 22.2cwt
Maximum Technical Permissible Laden Mass (Upper limit)	1300kg / 25.6cwt	1450kg / 28.5cwt
Total user Payload	111kg / 2.2cwt	126kg / 2.6cwt
Personal Effects	111kg / 2.2cwt	126kg / 2.6cwt
Options	0kg / 0.0cwt	0kg / 0cwt
Tyre Size	205/70 R15C 106 R	205/70 R15C 106 R
Tyre pressure at Lower limit MTPLM	3.4 bar / 49 psi	3.4 bar / 49 psi
Tyre pressure at Upper limit MTPLM	3.4 bar / 49 psi	3.7 bar / 54 psi
Static Load on Coupling Head	100kg	100kg
Thermal Insulation Grade	THREE	THREE
Bed Sizes		
Front Double	198cm x 183cm / 6'6" x 6'0"	198cm x 130cm / 6'6" x 4'3"
or Front Nearside Single	183cm x 69cm / 6'0" x 2'3"	
and Front Offside Single	183cm x 69cm / 6'0" x 2'3"	
Side Bunk Nearside (upper)		
Side Bunk Nearside (lower)		178cm x 62cm / 5'10" x 2'0"
Side Bunk Offside (upper)		
Side Bunk Offside (lower)		

**Masses:** The masses are calculated in accordance to EU regulation 1230 / 2012 and NCC code of practice 304.

The Mass in Running Order (MRO) comprises:

1. The mass of the empty caravan as supplied by Swift including loose items such as the hook-up cable, kit bag, entrance step, manuals etc.
2. 10kg allowance for LPG

The MRO is calculated with the fresh water tank, toilet flush tank and water heater empty. If you travel with water in the fresh water tank, toilet flush tank and the water heater the payload will reduce accordingly.

The personal effects is based on the number of berths and the length of the caravan and includes an allowance of 20kg for a leisure battery.

The Maximum Technical Laden Mass (MTPLM) is the maximum mass allowed when the caravan is fully laden.

**WARNING: Under no circumstances should the MTPLM be exceeded**

Basecamp 4
4
1
3.91m / 12'10"
2.28m / 7'6"
2.61m / 8'7"
1.95m / 6'5"
5.59m / 18'4"
1010kg / 19.9cwt
1146kg / 22.6cwt
1450kg / 28.5cwt
136kg / 2.7cwt
136kg / 2.7cwt
0kg / 0.0cwt
205/70 R15C 106 R
3.4 bar / 49 psi
3.7 bar / 54 psi
100kg
THREE
198cm x 130cm / 6'6" x 4'3"
178cm x 54cm / 5'10" x 1'9"
178cm x 54cm / 5'10" x 1'9"

**Bed Sizes:** Please note that the front double bed sizes quoted are for seating configurations without chest of drawers. The front double bed width for a layout with a chest of drawers fitted will be reduced by 0.4m (1'4") from that stated.

**Awning sizes:** Due to the varying awning designs and sizes the awning sizes given are approximate only. Specific awning sizes must be confirmed by your dealer or the awning manufacturer prior to purchase.

Est = Estimated weight or bed size

\*\*The dimensions given are approximate due to slight variations in suspension ride heights, loading conditions and tyre pressures.

Customers should verify the actual dimensions of their touring caravan before committing to anything that could be impacted by these dimensions

**Please note:** Any dealer fit options will reduce the overall payload available to the user of the caravan.

If you require additional payload it is possible to upgrade the MTPLM to the upper limit. Please contact your caravan dealer for more information.

# Sprite Specification

Sprite	Compact	Alpine 2	Alpine 4	Major 4 SB
Berths	2	2	4	4
Axles	1	1	1	1
Internal Length (bed box height)	3.66m / 12'0"	4.34m / 14'3"	4.74m / 15'7"	5.83m / 19'2"
Overall Width**	2.03m / 6'8"	2.25m / 7'5"	2.25m / 7'5"	2.25m / 7'5"
Overall Height (inc. TV Aerial)**	2.59m / 8'6"	2.59m / 8'6"	2.59m / 8'6"	2.59m / 8'6"
Maximum Internal Headroom	1.95m / 6'5"	1.95m / 6'5"	1.95m / 6'5"	1.95m / 6'5"
Overall Length**	5.37m / 17'7"	6.05m / 19'10"	6.45m / 21'2"	7.54m / 24'9"
Awning A / A dimension	7.95m / 26'1"	8.59m / 28'2"	8.99m / 29'6"	10.08m / 33'1"
Mass in Running Order (inc. tolerance)	980kg / 19.3cwt	1097kg / 21.6cwt	1139kg / 22.4cwt	1286kg / 25.3cwt
Maximum Technical Permissible Laden Mass (Lower limit)	1094kg / 21.5cwt	1218kg / 24.0cwt	1284kg / 25.3cwt	1442kg / 28.4cwt
Maximum Technical Permissible Laden Mass (Upper limit)	1200kg / 23.6cwt	1250kg / 24.6cwt	1300kg / 25.6cwt	1500kg / 29.5cwt
Total user Payload	114kg / 2.2cwt	121kg / 2.4cwt	145kg / 2.9cwt	156kg / 3.1cwt
Personal Effects	114kg / 2.2cwt	121kg / 2.4cwt	145kg / 2.9cwt	156kg / 3.1cwt
Options	0kg / 0.0cwt	0kg / 0.0cwt	0kg / 0.0cwt	0kg / 0.0cwt
Tyre Size	185 R14C 102 Q	185 R14C 102 Q	185 R14C 102Q	185 R14C 102Q
Tyre pressure at Lower limit MTPLM	3.4bar / 49psi	3.4 bar / 49 psi	3.6 bar / 52 psi	4.2 bar / 61 psi
Tyre pressure at Upper limit MTPLM	3.4 bar / 49psi	3.5 bar / 51 psi	3.7 bar / 54 psi	4.4 bar / 64 psi
Static Load on Coupling Head	100kg	100kg	100kg	100kg
Thermal Insulation Grade	THREE	THREE	THREE	THREE
<b>Bed Sizes</b>				
Front Double	182cm x 180cm / 6'0" x 5'11"	202cm x 180cm / 6'8" x 5'11"	202cm x 128cm / 6'8" x 4'2"	202cm x 159cm / 6'8" x 5'3"
or Front Nearside Single	180cm x 65cm / 5'11" x 2'2"	190cm x 72cm / 6'3" x 2'4"		159cm x 72cm / 5'3" x 2'4"
and Front Offside Single	180cm x 65cm / 5'11" x 2'2"	180cm x 72cm / 5'11" x 2'4"		159cm x 72cm / 5'3" x 2'4"
Rear Double			189cm x 132cm / 6'2" x 4'4"	185cm x 133cm / 6'1" x 4'4"
Side Single (offside)				
Side Single (nearside)				
Side Bunk (offside)				
Side Bunk (nearside)				
Side Fixed Lower Bunk				
Side Fixed Upper Bunk				

**Masses:** The masses are calculated in accordance to EU regulation 1230 / 2012 and NCC code of practice 304.

The Mass in Running Order (MRO) comprises:

1. The mass of the empty caravan as supplied by Swift including loose items such as the hook-up cable, kit bag, entrance step, manuals etc.
2. 10kg allowance for LPG

The MRO is calculated with the fresh water tank, toilet flush tank and water heater empty. If you travel with water in the fresh water tank, toilet flush tank and the water heater the payload will reduce accordingly.

The personal effects is based on the number of berths and the length of the caravan and includes an allowance of 20kg for a leisure battery.

The Maximum Technical Laden Mass (MTPLM) is the maximum mass allowed when the caravan is fully laden.

**WARNING: Under no circumstances should the MTPLM be exceeded**

Major 4 EB	Major 6 TD	Quattro EW	Quattro FB
4	6	6	6
1	1	2	2
5.83m / 19'2"	5.83m / 19'2"	6.27m / 20'7"	6.27m / 20'7"
2.25m / 7'5"	2.25m / 7'5"	2.25m / 7'5"	2.25m / 7'5"
2.59m / 8'6"	2.59m / 8'6"	2.59m / 8'6"	2.59m / 8'6"
1.95m / 6'5"	1.95m / 6'5"	1.95m / 6'5"	1.95m / 6'5"
7.54m / 24'9"	7.54m / 24'9"	7.98m / 26'2"	7.98m / 26'2"
10.08m / 33'1"	10.08m / 33'1"	10.52m / 34'6"	10.52m / 34'6"
1320kg / 26.0cwt	1352kg / 26.6cwt	1430kg / 28.1cwt	1450kg / 28.5cwt
1476kg / 29.1cwt	1528kg / 30.1cwt	1610kg / 31.7cwt	1630kg / 32.1cwt
1500kg / 29.5cwt	1550kg / 30.5cwt	1800kg / 35.4cwt	1800kg / 35.4cwt
156kg / 3.1cwt	176kg / 3.5cwt	180kg / 3.5cwt	180kg / 3.5cwt
156kg / 3.1cwt	176kg / 3.5cwt	180kg / 3.5cwt	180kg / 3.5cwt
0kg / 0.0cwt	0kg / 0.0cwt	0kg / 0.0cwt	0kg / 0.0cwt
185 R14C 102Q	185 R14C 102Q	185 / 70 R14 88T	185 / 70 R14 88T
4.3 bar / 62 psi	4.5 bar / 65 psi	2.0 bar / 29 psi	2.0 bar / 29 psi
4.4 bar / 64 psi	4.5 bar / 65 psi	2.2 bar / 32 psi	2.2 bar / 32 psi
100kg	100kg	100kg	100kg
THREE	THREE	THREE	THREE
202cm x 159cm / 6'8" x 5'3"	202cm x 180cm / 6'8" x 5'11"	206cm x 134cm / 6'9" x 4'5"	202cm x 180cm / 6'8" x 5'11"
159cm x 72cm / 5'3" x 2'4"	190cm x 72cm / 6'3" x 2'4"		180cm x 72cm / 5'11" x 2'4"
159cm x 72cm / 5'3" x 2'4"	180cm x 72cm / 5'11" x 2'4"		190cm x 72cm / 6'3" x 2'4"
190cm x 133cm / 6'3" x 4'4"		194cm x 132cm / 6'4" x 4'4"	192cm x 132cm / 6'4" x 4'4"
		180cm x 62cm / 5'11" x 2'0"	180cm x 62cm / 5'11" x 2'0"
	180cm x 67cm / 5'11" x 2'2"		
		176cm x 59cm / 5'9" x 1'11"	176cm x 59cm / 5'9" x 1'11"
	176cm x 59cm / 5'9" x 1'11"		
	183cm x 57cm / 6'0" x 1'10"		
	183cm x 57cm / 6'0" x 1'10"		

**Bed Sizes:** Please note that the front double bed sizes quoted are for seating configurations without chest of drawers. The front double bed width for a layout with a chest of drawers fitted will be reduced by 0.4m (1'4") from that stated.

**Awning sizes:** Due to the varying awning designs and sizes the awning sizes given are approximate only. Specific awning sizes must be confirmed by your dealer or the awning manufacturer prior to purchase.

Est = Estimated weight or bed size

\*\*The dimensions given are approximate due to slight variations in suspension ride heights, loading conditions and tyre pressures.

Customers should verify the actual dimensions of their touring caravan before committing to anything that could be impacted by these dimensions

**Please note:** Any dealer fit options will reduce the overall payload available to the user of the caravan.

If you require additional payload it is possible to upgrade the MTPLM to the upper limit. Please contact your caravan dealer for more information.

# Sprite Grande Specification

Sprite Grande	Major 4 SB Grande	Quattro FB Grande	Quattro DB Grande
Berths	4	6	6
Axles	1	2	2
Internal Length (bed box height)	5.83m / 19' 2"	6.27m / 20' 7"	6.27m / 20' 7"
Overall Width**	2.46m / 8'1"	2.46m / 8'1"	2.46m / 8'1"
Overall Height (inc. TV Aerial)**	2.61m / 8'7"	2.59m / 8'6"	2.59m / 8'6"
Maximum Internal Headroom	1.95m / 6'5"	1.95m / 6'5"	1.95m / 6'5"
Overall Length**	7.54m / 24' 9"	7.98m / 26' 2"	7.98m / 26' 2"
Awning A / A dimension	10.20m / 33'6"	10.56m / 34'8"	10.56m / 34'8"
Mass in Running Order (inc. tolerance)	1351kg / 26.6cwt	1524kg / 30.0cwt	1530kg / 30.1cwt
Maximum Technical Permissible Laden Mass (Lower limit)	1507kg / 29.7cwt	1704kg / 33.5cwt	1710kg / 33.7cwt
Maximum Technical Permissible Laden Mass (Upper limit)	1650kg / 32.5cwt	1800kg / 35.4cwt	1800kg / 35.4cwt
Total user Payload	156kg / 3.1cwt	180kg / 3.5cwt	180kg / 3.5cwt
Personal Effects	156kg / 3.1cwt	180kg / 3.5cwt	180kg / 3.5cwt
Options	0kg / 0.0cwt	0kg / 0cwt	0kg / 0cwt
Tyre Size	195/70 R15C 104 R	185 / 70 R14 88T	185 / 70 R14 88T
Tyre pressure at Lower limit MTPLM	4.1 bar / 59 psi	2.0 bar / 29 psi	2.1 bar / 30 psi
Tyre pressure at Upper limit MTPLM	4.5 bar / 65 psi	2.2 bar / 32 psi	2.2 bar / 32 psi
Static Load on Coupling Head	100kg	100kg	100kg
Thermal Insulation Grade	THREE	THREE	THREE
Bed Sizes			
Front Double	225cm x 163cm / 7'4" x 5'4"	225cm x 180cm / 7'4" x 5'11"	225cm x 180cm / 7'4" x 5'11"
or Front Nearside Single	163cm x 73cm / 5'4" x 2'5"	180cm x 73cm / 5'11" x 2'5"	180cm x 73cm / 5'11" x 2'5"
and Front Offside Single	163cm x 73cm / 5'4" x 2'5"	180cm x 73cm / 5'11" x 2'5"	180cm x 73cm / 5'11" x 2'5"
Rear Double	185cm x 133cm / 6'1" x 4'4"	196cm x 135cm / 6'5" x 4'5"	190cm x 134cm / 6'3" x 4'5"
Side Double (offside)		190cm x 134cm / 6'3" x 4'5"	190cm x 134cm / 6'3" x 4'5"
Side Fixed Lower Bunk			182cm x 72cm / 6'0" x 2'4"
Side Fixed Upper Bunk			182cm x 72cm / 6'0" x 2'4"

**Masses:** The masses are calculated in accordance to EU regulation 1230 / 2012 and NCC code of practice 304.

The Mass in Running Order (MRO) comprises:

1. The mass of the empty caravan as supplied by Swift including loose items such as the hook-up cable, kit bag, entrance step, manuals etc.
2. 10kg allowance for LPG

The MRO is calculated with the fresh water tank, toilet flush tank and water heater empty. If you travel with water in the fresh water tank, toilet flush tank and the water heater the payload will reduce accordingly.

The personal effects is based on the number of berths and the length of the caravan and includes an allowance of 20kg for a leisure battery.

The Maximum Technical Laden Mass (MTPLM) is the maximum mass allowed when the caravan is fully laden.

**WARNING: Under no circumstances should the MTPLM be exceeded**

Quattro EB Grande
4
2
6.27m / 20'7"
2.46m / 8'1"
2.59m / 8'6"
1.95m / 6'5"
7.98m / 26'2"
10.56m / 34'8"
1530kg / 30.1cwt Est
1690kg / 33.3 cwt
1800kg / 35.4cwt
160kg / 3.1cwt
160kg / 3.1cwt
0kg / 0.0cwt
185/70 R14 88T
2.1 bar/ 30 psi
2.2 bar / 32 psi
100kg
THREE
225cm x 163cm / 7'4" x 5'4"
163cm x 73cm / 5'4" x 2'5"
180cm x 73cm / 5'11" x 2'5"
191cm x 143cm / 6'3" x 4'8"

**Bed Sizes:** Please note that the front double bed sizes quoted are for seating configurations without chest of drawers. The front double bed width for a layout with a chest of drawers fitted will be reduced by 0.4m (1'4") from that stated.

**Awning sizes:** Due to the varying awning designs and sizes the awning sizes given are approximate only. Specific awning sizes must be confirmed by your dealer or the awning manufacturer prior to purchase.

Est = Estimated weight or bed size

\*\*The dimensions given are approximate due to slight variations in suspension ride heights, loading conditions and tyre pressures.

Customers should verify the actual dimensions of their touring caravan before committing to anything that could be impacted by these dimensions

**Please note:** Any dealer fit options will reduce the overall payload available to the user of the caravan.

If you require additional payload it is possible to upgrade the MTPLM to the upper limit. Please contact your caravan dealer for more information.



# Challenger SE Specification

Challenger SE	480 SE	560 SE	580 SE
Berths	2	4	4
Axles	1	1	1
Internal Length (bed box height)	4.98m / 16'4"	5.93m / 19'5"	5.93m / 19'5"
Overall Width**	2.28m / 7'6"	2.28m / 7'6"	2.28m / 7'6"
Overall Height (inc. TV Aerial)**	2.61m / 8'7"	2.61m / 8'7"	2.61m / 8'7"
Maximum Internal Headroom	1.95m / 6'5"	1.95m / 6'5"	1.95m / 6'5"
Overall Length**	6.68m / 21'11"	7.63m / 25'0"	7.63m / 25'0"
Awning A / A dimension	9.37m / 30'9"	10.32m / 33'10"	10.32m / 33'10"
Mass in Running Order (inc. tolerance)	1308kg / 25.7cwt Est	1467kg / 28.9 cwt Est	1449kg / 28.5cwt Est
Maximum Technical Permissible Laden Mass (Lower limit)	1435kg / 28.2cwt Est	1624kg / 32.0cwt Est	1606kg / 31.6cwt
Maximum Technical Permissible Laden Mass (Upper limit)	1500kg / 29.5cwt	1650kg / 32.5cwt	1650kg / 32.5cwt
Total user Payload	127kg / 2.5cwt	157kg / 3.1cwt	157kg / 3.1cwt
Personal Effects	127kg / 2.5cwt	157kg / 3.1cwt	157kg / 3.1cwt
Options	0.0kg / 0.0cwt	0.0kg / 0.0cwt	0.0kg / 0.0cwt
Tyre Size	185 R14C 102Q	195/70 R15C 104 R	195/70 R15C 104 R
Tyre pressure at Lower limit MTPLM	4.1 bar / 59 psi	4.5 bar / 65 psi	4.4 bar / 64 psi
Tyre pressure at Upper limit MTPLM	4.4 bar / 64 psi	4.5 bar / 65 psi	4.5 bar / 65 psi
Static Load on Coupling Head	100kg	100kg	100kg
Thermal Insulation Grade	THREE	THREE	THREE
<b>Bed Sizes</b>			
Front Double	200cm x 186cm / 6'7" x 6'1"	200cm x 168cm / 6'7" x 5'6"	200cm x 168cm / 6'7" x 5'6"
or Front Nearside Single and Front Offside Single	181cm x 67cm / 5'11" x 2'2"		
Rear Double	171cm x 67cm / 5'7" x 2'2"	192cm x 133cm / 6'4" x 4'4"	185cm x 133cm / 6'1" x 4'4"
Side Single (offside)			
Side Bunk (offside)			

**Masses:** The masses are calculated in accordance to EU regulation 1230 / 2012 and NCC code of practice 304.

The Mass in Running Order (MRO) comprises:

1. The mass of the empty caravan as supplied by Swift including loose items such as the hook-up cable, kit bag, entrance step, manuals etc.
2. 10kg allowance for LPG

The MRO is calculated with the fresh water tank, toilet flush tank and water heater empty. If you travel with water in the fresh water tank, toilet flush tank and the water heater the payload will reduce accordingly.

The personal effects is based on the number of berths and the length of the caravan and includes an allowance of 20kg for a leisure battery.

The Maximum Technical Laden Mass (MTPLM) is the maximum mass allowed when the caravan is fully laden.

**WARNING: Under no circumstances should the MTPLM be exceeded**

<b>650 SE</b>
4
2
6.27m / 20'7"
2.28m / 7'6"
2.61m / 8'7"
1.95m / 6'5"
7.98m / 26'2"
10.59m / 34'9"
1600kg / 31.5cwt Est
1760kg / 34.6cwt Est
2000kg / 39.4cwt
160kg / 3.1cwt
160kg / 3.1cwt
0.0kg / 0.0cwt
185/70 R14 88 T
2.1 bar / 30 psi
2.5 bar / 36 psi
100kg
THREE
200cm x 156cm / 6'7" x 5'1"
192cm x 133cm / 6'4" x 4'4"

**Bed Sizes:** Please note that the front double bed sizes quoted are for seating configurations without chest of drawers. The front double bed width for a layout with a chest of drawers fitted will be reduced by 0.4m (1'4") from that stated.

**Awning sizes:** Due to the varying awning designs and sizes the awning sizes given are approximate only. Specific awning sizes must be confirmed by your dealer or the awning manufacturer prior to purchase.

Est = Estimated weight or bed size

\*\*The dimensions given are approximate due to slight variations in suspension ride heights, loading conditions and tyre pressures.

Customers should verify the actual dimensions of their touring caravan before committing to anything that could be impacted by these dimensions

**Please note:** Any dealer fit options will reduce the overall payload available to the user of the caravan.

If you require additional payload it is possible to upgrade the MTPLM to the upper limit. Please contact your caravan dealer for more information.

# Challenger Grande SE Specification

Challenger Grande SE	560 L Grande SE	580 Grande SE	635 Grande SE
Berths	4	4	4
Axles	1	1	2
Internal Length (bed box height)	5.93m / 19'5"	5.93m / 19'5"	6.27m / 20'7"
Overall Width**	2.45m / 8'0"	2.45m / 8'0"	2.45m / 8'0"
Overall Height (inc. TV Aerial)**	2.61m / 8'7"	2.61m / 8'7"	2.59m / 8'6"
Maximum Internal Headroom	1.95m / 6'5"	1.95m / 6'5"	1.95m / 6'5"
Overall Length**	7.63m / 25'0"	7.63m / 25'0"	7.98m / 26'2"
Awning A / A dimension	10.32m / 33'10"	10.32m / 33'10"	10.59m / 34'9"
Mass in Running Order (inc. tolerance)	1549kg / 30.5cwt Est	1515kg / 29.8cwt Est	1673kg / 32.9cwt Est
Maximum Technical Permissible Laden Mass (Lower limit)	1706kg / 33.6cwt Est	1672kg / 32.9cwt	1833kg / 36.1cwt Est
Maximum Technical Permissible Laden Mass (Upper limit)	1750kg / 34.4cwt	1750kg / 34.4cwt	2000kg / 39.4cwt
Total user Payload	157kg / 3.1cwt	157kg / 3.1cwt	160kg / 3.1cwt
Personal Effects	157kg / 3.1cwt	157kg / 3.1cwt	160kg / 3.1cwt
Options	0.0kg / 0.0cwt	0.0kg / 0.0cwt	0.0kg / 0.0cwt
Tyre Size	195 / 70 R15C 104 R	195 / 70 R15C 104 R	185 / 70 R14 88 T
Tyre pressure at Lower limit MTPLM	4.5 bar / 65 psi	4.5 bar / 65 psi	2.2bar / 32 psi
Tyre pressure at Upper limit MTPLM	4.5 bar / 65 ps	4.5 bar / 65 psi	2.5 bar / 36 psi
Static Load on Coupling Head	100kg	100kg	100kg
Thermal Insulation Grade	THREE	THREE	THREE
<b>Bed Sizes</b>			
Front Double	194cm x 122cm / 6'4" x 4'0"	218cm x 168cm / 7'2" x 5'6"	218cm x 158cm / 7'2" x 5' 2"
Front Single Nearside			
Front Single Offside			
Side Fixed Lower Bunk			
Side Fixed Upper Bunk			
Rear Double	192cm x 143cm / 6'4" x 4'8"	187cm x 133cm / 6'2" x 4'4"	187cm x 133cm / 6'2" x 4'4"

**Masses:** The masses are calculated in accordance to EU regulation 1230 / 2012 and NCC code of practice 304.

The Mass in Running Order (MRO) comprises:

1. The mass of the empty caravan as supplied by Swift including loose items such as the hook-up cable, kit bag, entrance step, manuals etc.
2. 10kg allowance for LPG

The MRO is calculated with the fresh water tank, toilet flush tank and water heater empty. If you travel with water in the fresh water tank, toilet flush tank and the water heater the payload will reduce accordingly.

The personal effects is based on the number of berths and the length of the caravan and includes an allowance of 20kg for a leisure battery.

The Maximum Technical Laden Mass (MTPLM) is the maximum mass allowed when the caravan is fully laden.

**WARNING: Under no circumstances should the MTPLM be exceeded**

650 Grande SE	670 Grande SE
4	6
2	2
6.27m / 20'7"	6.27m / 20'7"
2.45m / 8'0"	2.45m / 8'0"
2.59m / 8'6"	2.59m / 8'6"
1.95m / 6'5"	1.95m / 6'5"
7.98m / 26'2"	7.98m / 26'2"
10.59m / 34'9"	10.59m / 34'9"
1645kg / 32.4cwt Est	1683kg / 33.1cwt Est
1805kg / 35.5cwt Est	1863kg / 36.7cwt Est
2000kg / 39.4cwt	2000kg / 39.4cwt
160kg / 3.1cwt	180kg / 3.5cwt
160kg / 3.1cwt	180kg / 3.5cwt
0.0kg / 0.0cwt	0.0kg / 0.0cwt
185 / 70 R14 88 T	185 / 70 R14 88 T
2.2 bar / 32 psi	2.3 bar / 33 psi
2.5 bar / 36 psi	2.5 bar / 36 psi
100kg	100kg
THREE	THREE
194cm x 122cm / 6'4" x 4'0"	218cm x 168cm / 7'2" x 5'6"
	163cm x 70cm / 5'4" x 2'4"
	183cm x 57cm / 6'0" x 1'10"
	183cm x 57cm / 6'0" x 1'10"
192cm x 143cm / 6'4" x 4'8"	186cm x 122cm / 6'1" x 4'0"

**Bed Sizes:** Please note that the front double bed sizes quoted are for seating configurations without chest of drawers. The front double bed width for a layout with a chest of drawers fitted will be reduced by 0.4m (1'4") from that stated.

**Awning sizes:** Due to the varying awning designs and sizes the awning sizes given are approximate only. Specific awning sizes must be confirmed by your dealer or the awning manufacturer prior to purchase.

Est = Estimated weight or bed size

\*\*The dimensions given are approximate due to slight variations in suspension ride heights, loading conditions and tyre pressures.

Customers should verify the actual dimensions of their touring caravan before committing to anything that could be impacted by these dimensions

**Please note:** Any dealer fit options will reduce the overall payload available to the user of the caravan.

If you require additional payload it is possible to upgrade the MTPLM to the upper limit. Please contact your caravan dealer for more information.

# Challenger Exclusive Specification

<b>Challenger Exclusive</b>	<b>480</b>	<b>560</b>	<b>580</b>
Berths	2	4	4
Axles	1	1	1
Internal Length (bed box height)	4.98m / 16'4"	5.93m / 19'5"	5.93m / 19'5"
Overall Width**	2.28m / 7'6"	2.28m / 7'6"	2.28m / 7'6"
Overall Height (inc. TV Aerial)**	2.61m / 8'7"	2.61m / 8'7"	2.61m / 8'7"
Maximum Internal Headroom	1.95m / 6'5"	1.95m / 6'5"	1.95m / 6'5"
Overall Length**	6.68m / 21'11"	7.63m / 25'0"	7.63m / 25'0"
Awning A / A dimension	9.37m / 30'9"	10.32m / 33'10"	10.32m / 33'10"
Mass in Running Order (inc. tolerance)	1315kg / 29.9cwt Est	1474kg / 29.0cwt Est	1456kg / 28.7cwt Est
Maximum Technical Permissible Laden Mass (Lower limit)	1442kg / 28.4cwt Est	1631kg / 32.1cwt Est	1613kg / 31.8cwt Est
Maximum Technical Permissible Laden Mass (Upper limit)	1500kg / 29.5cwt	1650kg / 32.5cwt Est	1650kg / 32.5cwt
Total user Payload	127kg / 2.5cwt	157kg / 3.1cwt	157kg / 3.1cwt
Personal Effects	127kg / 2.5cwt	157kg / 3.1cwt	157kg / 3.1cwt
Options	0kg / 0cwt	0kg / 0cwt	0kg / 0cwt
Tyre Size	185 R14C 102Q	195 / 70 R15C 104R	195 / 70 R15C 104R
Tyre pressure at Lower limit MTPLM	4.2 bar / 61 psi	4.5 bar / 65 psi	4.5 bar / 65 psi
Tyre pressure at Upper limit MTPLM	4.4 bar / 64 psi	4.5 bar / 65 psi	4.5 bar / 65 psi
Static Load on Coupling Head	100kg	100kg	100kg
Thermal Insulation Grade	THREE	THREE	THREE
<b>Bed Sizes</b>			
Front Double	200cm x 186cm / 6'7" x 6'1"	200cm x 168cm / 6'7" x 5'6"	200cm x 168cm / 6'7" x 5'6"
or Front Nearside Single	181cm x 67cm / 5'11" x 2'2"		
and Front Offside Single	171cm x 67cm / 5'7" x 2'2"		
Rear Double		192cm x 133cm / 6'4" x 4'4"	185cm x 133cm / 6'1" x 4'4"

<b>650</b>
4
2
6.27m / 20'7"
2.28m / 7'6"
2.61m / 8'7"
1.95m / 6'5"
7.98m / 26'2"
10.59m / 34'9"
1607kg / 31.6cwt Est
1767kg / 34.8cwt Est
2000kg / 39.4cwt
160kg / 3.1cwt
160kg / 3.1cwt
0kg / 0cwt
185 / 70 R14 88T
2.1 bar / 30 psi
2.5 bar / 36 psi
100kg
THREE
200cm x 156cm / 6'7" x 5'1"
192cm x 133cm / 6'4" x 4'4"

# Challenger Grande Exclusive Specification

Challenger Grande Exclusive	560 L Grande	580 Grande	635 Grande
Berths	4	4	4
Axles	1	1	2
Internal Length (bed box height)	5.93m / 19'5"	5.93m / 19'5"	6.27m / 20'7"
Overall Width**	2.45m / 8'0"	2.45m / 8'0"	2.45m / 8'0"
Overall Height (inc. TV Aerial)**	2.61m / 8'7"	2.61m / 8'7"	2.59m / 8'6"
Maximum Internal Headroom	1.95m / 6'5"	1.95m / 6'5"	1.95m / 6'5"
Overall Length**	7.63m / 25'0"	7.63m / 25'0"	7.98m / 26'2"
Awning A / A dimension	10.32m / 33'10"	10.32m / 33'10"	10.59m / 34'9"
Mass in Running Order (inc. tolerance)	1556kg / 30.6cwt Est	1522kg / 30.0cwt Est	1680kg / 33.1cwt Est
Maximum Technical Permissible Laden Mass (Lower limit)	1713kg / 33.7cwt Est	1679kg / 33.1cwt Est	1840kg / 36.2cwt Est
Maximum Technical Permissible Laden Mass (Upper limit)	1750kg / 34.4cwt	1750kg / 34.4cwt	2000kg / 39.4cwt
Total user Payload	157kg / 3.1cwt	157kg / 3.1cwt	160kg / 3.1cwt
Personal Effects	157kg / 3.1cwt	157kg / 3.1cwt	160kg / 3.1cwt
Options	0.0kg / 0cwt	0.0kg / 0cwt	0.0kg / 0cwt
Tyre Size	195 / 70 R15C 104 R	195 / 70 R15C 104 R	185 / 70 R14 88 T
Tyre pressure at Lower limit MTPLM	4.5 bar / 65 psi	4.5 bar / 65 psi	2.2 bar / 32 psi
Tyre pressure at Upper limit MTPLM	4.5 bar / 65 psi	4.5 bar / 65 psi	2.5 bar / 36 psi
Static Load on Coupling Head	100kg	100kg	100kg
Thermal Insulation Grade	THREE	THREE	THREE
<b>Bed Sizes</b>			
Front Double	194cm x 122cm / 6'4" x 4'0"	218cm x 168cm / 7'2" x 5'6"	218cm x 158cm / 7'2" x 5'2"
Front Single Offside			
Side Fixed Lower Bunk			
Side Fixed Upper Bunk			
Rear Double	192cm x 143cm / 6'4" x 4'8"	187cm x 133cm / 6'2" x 4'4"	187cm x 133cm / 6'2" x 4'4"

**Masses:** The masses are calculated in accordance to EU regulation 1230 / 2012 and NCC code of practice 304.

The Mass in Running Order (MRO) comprises:

1. The mass of the empty caravan as supplied by Swift including loose items such as the hook-up cable, kit bag, entrance step, manuals etc.
2. 10kg allowance for LPG

The MRO is calculated with the fresh water tank, toilet flush tank and water heater empty. If you travel with water in the fresh water tank, toilet flush tank and the water heater the payload will reduce accordingly.

The personal effects is based on the number of berths and the length of the caravan and includes an allowance of 20kg for a leisure battery.

The Maximum Technical Laden Mass (MTPLM) is the maximum mass allowed when the caravan is fully laden.

**WARNING: Under no circumstances should the MTPLM be exceeded**

650 Grande	670 Grande
4	6
2	2
6.27m / 20'7"	6.27m / 20'7"
2.45m / 8'0"	2.45m / 8'0"
2.59m / 8'6"	2.59m / 8'6"
1.95m / 6'5"	1.95m / 6'5"
7.98m / 26'2"	7.98m / 26'2"
10.59m / 34'9"	10.59m / 34'9"
1652kg / 32.5cwt Est	1690kg / 33.3cwt Est
1812kg / 35.7cwt Est	1870kg / 36.8cwt Est
2000kg / 39.4cwt	2000kg / 39.4cwt
160kg / 3.1cwt	180kg / 3.5cwt
160kg / 3.1cwt	180kg / 3.5cwt
0.0kg / 0cwt	0kg / 0cwt
185 / 70 R14 88 T	185/70 R14 88 T
2.2 bar / 32 psi	2.3 bar / 33 psi
2.5 bar / 36 psi	2.5 bar / 36 psi
100kg	100kg
THREE	THREE
194cm x 122cm / 6'4" x 4'0"	218cm x 168cm / 7'2" x 5'6"
	163cm x 70cm / 5'4" x 2'4"
	183cm x 57cm / 6'0" x 1'10"
	183cm x 57cm / 6'0" x 1'10"
192cm x 143cm / 6'4" x 4'8"	186cm x 122cm / 6'1" x 4'0"

**Bed Sizes:** Please note that the front double bed sizes quoted are for seating configurations without chest of drawers. The front double bed width for a layout with a chest of drawers fitted will be reduced by 0.4m (1'4") from that stated.

**Awning sizes:** Due to the varying awning designs and sizes the awning sizes given are approximate only. Specific awning sizes must be confirmed by your dealer or the awning manufacturer prior to purchase.

Est = Estimated weight or bed size

\*\*The dimensions given are approximate due to slight variations in suspension ride heights, loading conditions and tyre pressures.

Customers should verify the actual dimensions of their touring caravan before committing to anything that could be impacted by these dimensions

**Please note:** Any dealer fit options will reduce the overall payload available to the user of the caravan.

If you require additional payload it is possible to upgrade the MTPLM to the upper limit. Please contact your caravan dealer for more information.



# Elegance Grande Specification

Elegance Grande	760	780	835
Berths	4	4	4
Axles	1	1	2
Internal Length (bed box height)	5.95m / 19' 6"	5.95m / 19' 6"	6.36m / 20'10"
Overall Width*	2.45m / 8'0"	2.45m / 8'0"	2.45m / 8'0"
Overall Height (inc. TV Aerial)*	2.61m / 8' 7"	2.61m / 8' 7"	2.59m / 8'6"
Maximum Internal Headroom	1.95m / 6'5"	1.95m / 6'5"	1.95m / 6'5"
Overall Length*	7.57m / 24' 10"	7.57m / 24' 10"	7.98m / 26'2"
Awning A / A dimension	10.08m / 33'1"	10.08m / 33'1"	10.49m / 34'5"
Mass in Running Order (inc. tolerance)	1674kg / 33.0cwt	1695kg / 33.4cwt	1876kg / 36.9cwt
Maximum Technical Permissible Laden Mass (Lower limit)	1871kg / 36.8 cwt	1892kg / 37.2cwt	2077kg / 40.9cwt
Maximum Technical Permissible Laden Mass (Upper limit)	1900kg / 37.4cwt	1900kg / 37.4cwt	2250kg / 44.3cwt
Total user Payload	197kg / 3.9 cwt	197kg / 3.9 cwt	201kg / 4.0cwt
Personal Effects	156kg / 3.1cwt	156kg / 3.1cwt	160kg / 3.1cwt
Options	41kg / 0.8 cwt	41kg / 0.8 cwt	41kg / 0.8cwt
Tyre Size	215/70 R15C 109	215/70 R15C 109	185/65 R15 92XL
Tyre pressure at Lower limit MTPLM	4.5 bar / 65 psi	4.5 bar / 65 psi	3.2 bar / 46 psi
Tyre pressure at Upper limit MTPLM	4.5 bar / 65 psi	4.5 bar / 65 psi	3.5 bar / 51 psi
Static Load on Coupling Head	100kg	100kg	120kg
Thermal Insulation Grade	THREE	THREE	THREE
<b>Bed Sizes</b>			
Front Double	194cm x 122cm / 6'4" x 4'0"	218cm x 126cm / 7'2" x 4'2"	218cm x 126cm / 7'2" x 4'2"
or Front Nearside Single and Front Offside Single			
Rear Double	191 cm x 143cm x 6'3" x 4'8"	191 cm x 133cm x 6'3" x 4'4"	191 cm x 133cm / 6'3" x 4'4"

**Masses:** The masses are calculated in accordance to EU regulation 1230 / 2012 and NCC code of practice 304.

The Mass in Running Order (MRO) comprises:

1. The mass of the empty caravan as supplied by Swift including loose items such as the hook-up cable, kit bag, entrance step, manuals etc.
2. 10kg allowance for LPG

The MRO is calculated with the fresh water tank, toilet flush tank and water heater empty. If you travel with water in the fresh water tank, toilet flush tank and the water heater the payload will reduce accordingly.

The personal effects is based on the number of berths and the length of the caravan and includes an allowance of 20kg for a leisure battery.

The Maximum Technical Laden Mass (MTPLM) is the maximum mass allowed when the caravan is fully laden.

**WARNING: Under no circumstances should the MTPLM be exceeded**

845	850	860
4	4	4
2	2	2
6.36m / 20'10"	6.36m / 20'10"	6.36m / 20'10"
2.45m / 8'0"	2.45m / 8'0"	2.45m / 8'0"
2.59m / 8'6"	2.59m / 8'6"	2.59m / 8'6"
1.95m / 6'5"	1.95m / 6'5"	1.95m / 6'5"
7.98m / 26'2"	7.98m / 26'2"	7.98m / 26'2"
10.49m / 34'5"	10.49m / 34'5"	10.49m / 34'5"
1850kg / 36.4cwt	1866kg / 36.7cwt	1876kg / 36.9cwt Est
2051kg / 40.4cwt	2067kg / 40.7cwt	2077kg / 40.9cwt Est
2250kg / 44.3cwt	2250kg / 44.3cwt	2250kg / 44.3cwt
201kg / 4.0cwt	201kg / 4.0cwt	201kg / 4.0cwt
160kg / 3.1cwt	160kg / 3.1cwt	160kg / 3.1cwt
41kg / 0.8cwt	41kg / 0.8cwt	41kg / 0.8cwt
185/65 R15 92XL	185/65 R15 92XL	185/65 R15 92XL
3.1 bar / 45 psi	3.1 bar / 45 psi	3.2 bar / 46 psi
3.5 bar / 51 psi	3.5 bar / 51 psi	3.5 bar / 51 psi
120kg	120kg	120kg
THREE	THREE	THREE
218cm x 126cm / 7'2" x 4'2"	194cm x 122cm / 6'4" x 4'0"	194cm x 122cm / 6'4" x 4'0"
191cm x 133cm / 6'3" x 4'4"	191cm x 143cm / 6'3" x 4'8"	191cm x 143cm / 6'3" x 4'8"

**Bed Sizes:** Please note that the front double bed sizes quoted are for seating configurations without chest of drawers. The front double bed width for a layout with a chest of drawers fitted will be reduced by 0.4m (1'4") from that stated.

**Awning sizes:** Due to the varying awning designs and sizes the awning sizes given are approximate only. Specific awning sizes must be confirmed by your dealer or the awning manufacturer prior to purchase.

Est = Estimated weight or bed size

\*\*The dimensions given are approximate due to slight variations in suspension ride heights, loading conditions and tyre pressures.

Customers should verify the actual dimensions of their touring caravan before committing to anything that could be impacted by these dimensions

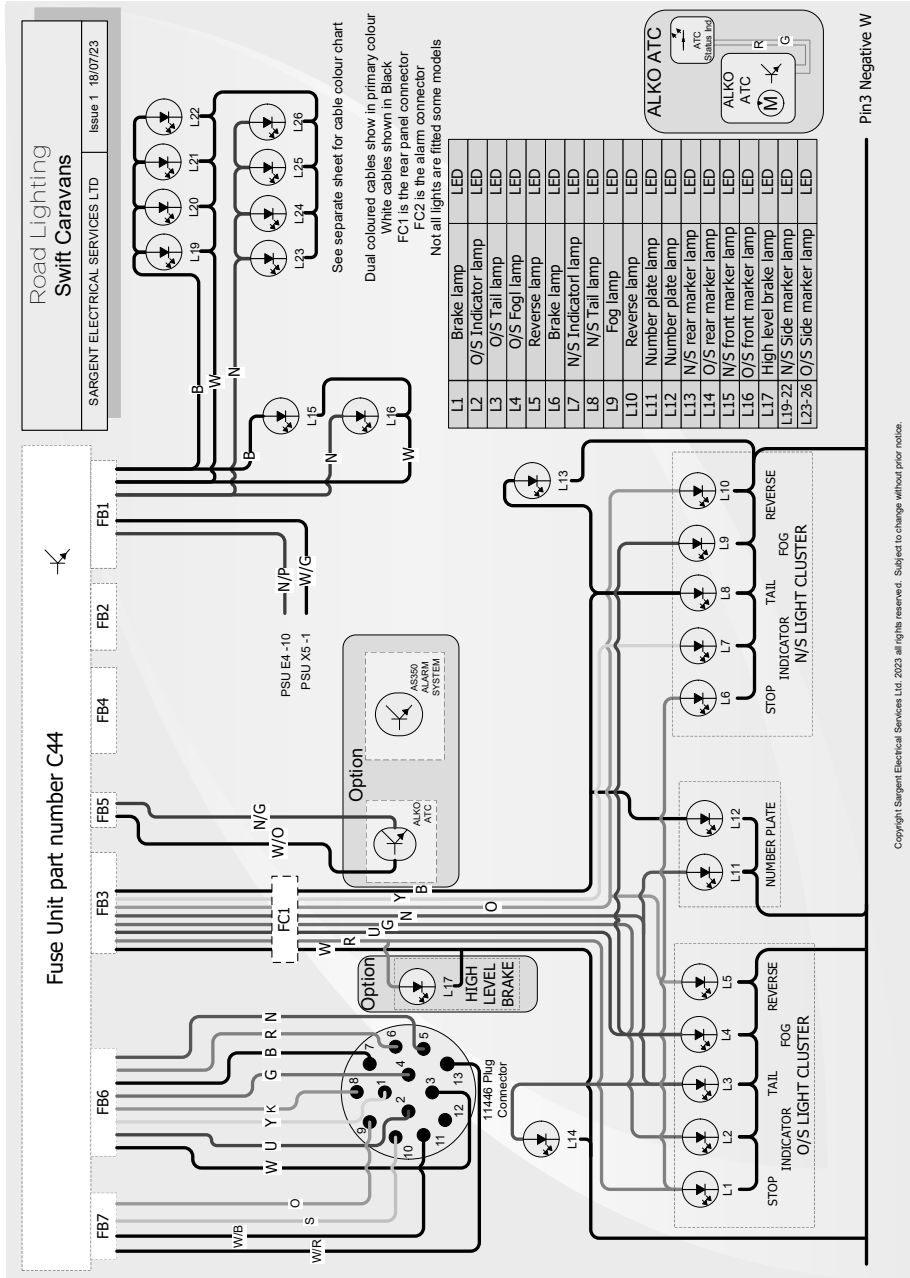
**Please note:** Any dealer fit options will reduce the overall payload available to the user of the caravan.

If you require additional payload it is possible to upgrade the MTPLM to the upper limit. Please contact your caravan dealer for more information.



# Wiring Diagrams - Road Lighting

## Sprite, Sprite Grande, Challenger SE, Challenger Grande SE and Elegance Grande

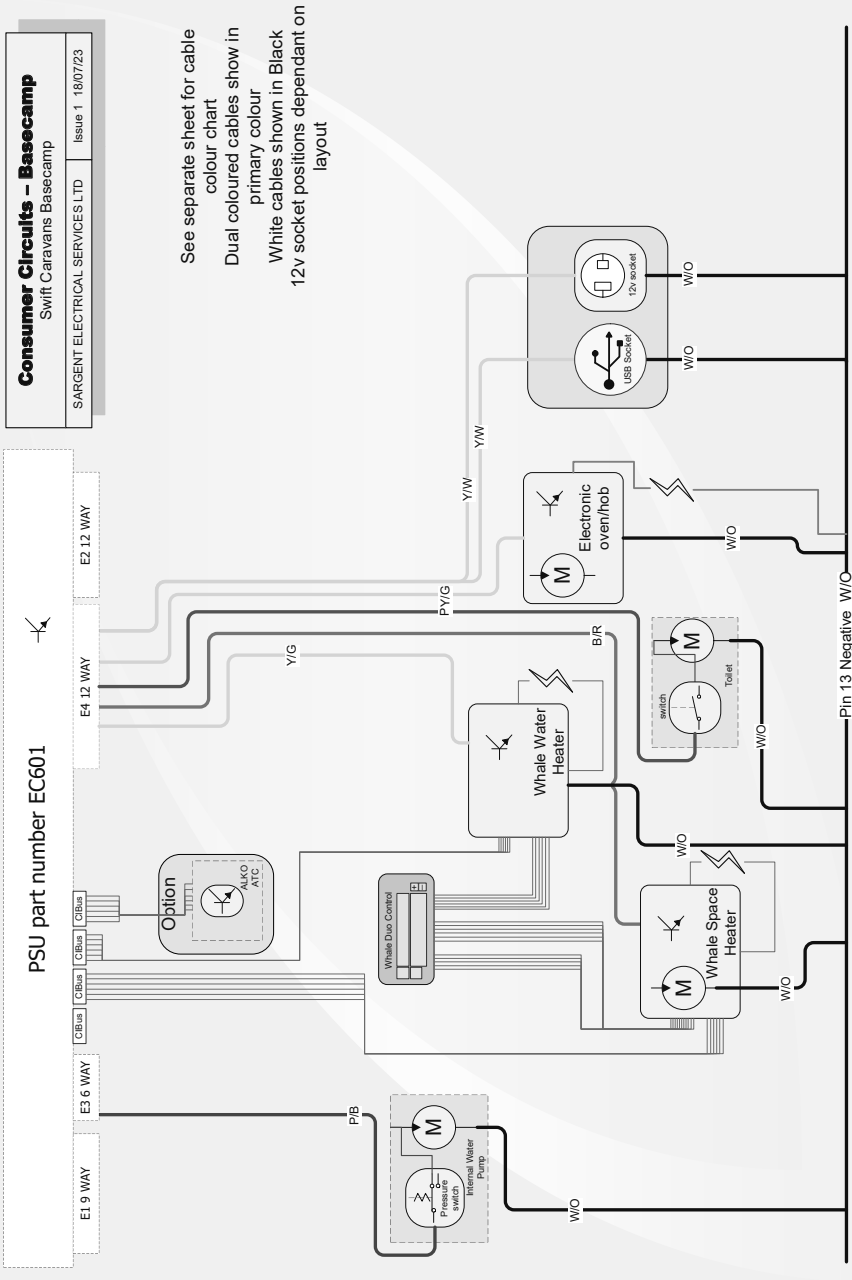


# Wiring Diagrams - Consumer Circuits

## Basecamp

**Consumer Circuits - Basecamp**  
 Swift Caravans Basecamp  
 SARGENT ELECTRICAL SERVICES LTD Issue 1 18/07/23

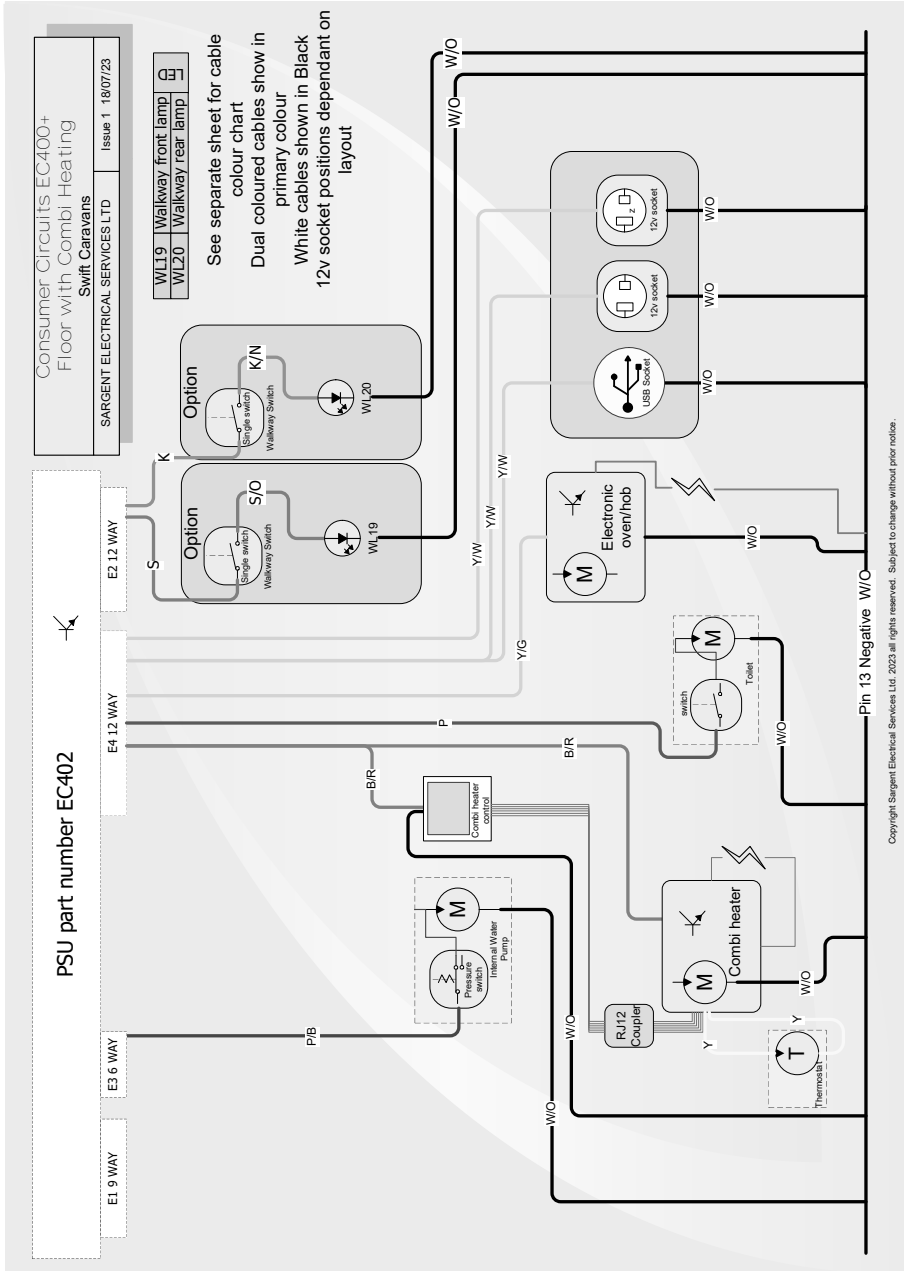
See separate sheet for cable colour chart  
 Dual coloured cables show in primary colour  
 White cables shown in Black  
 12v socket positions dependant on layout



Copyright Sargent Electrical Services Ltd. 2023. All rights reserved. Subject to change without prior notice.

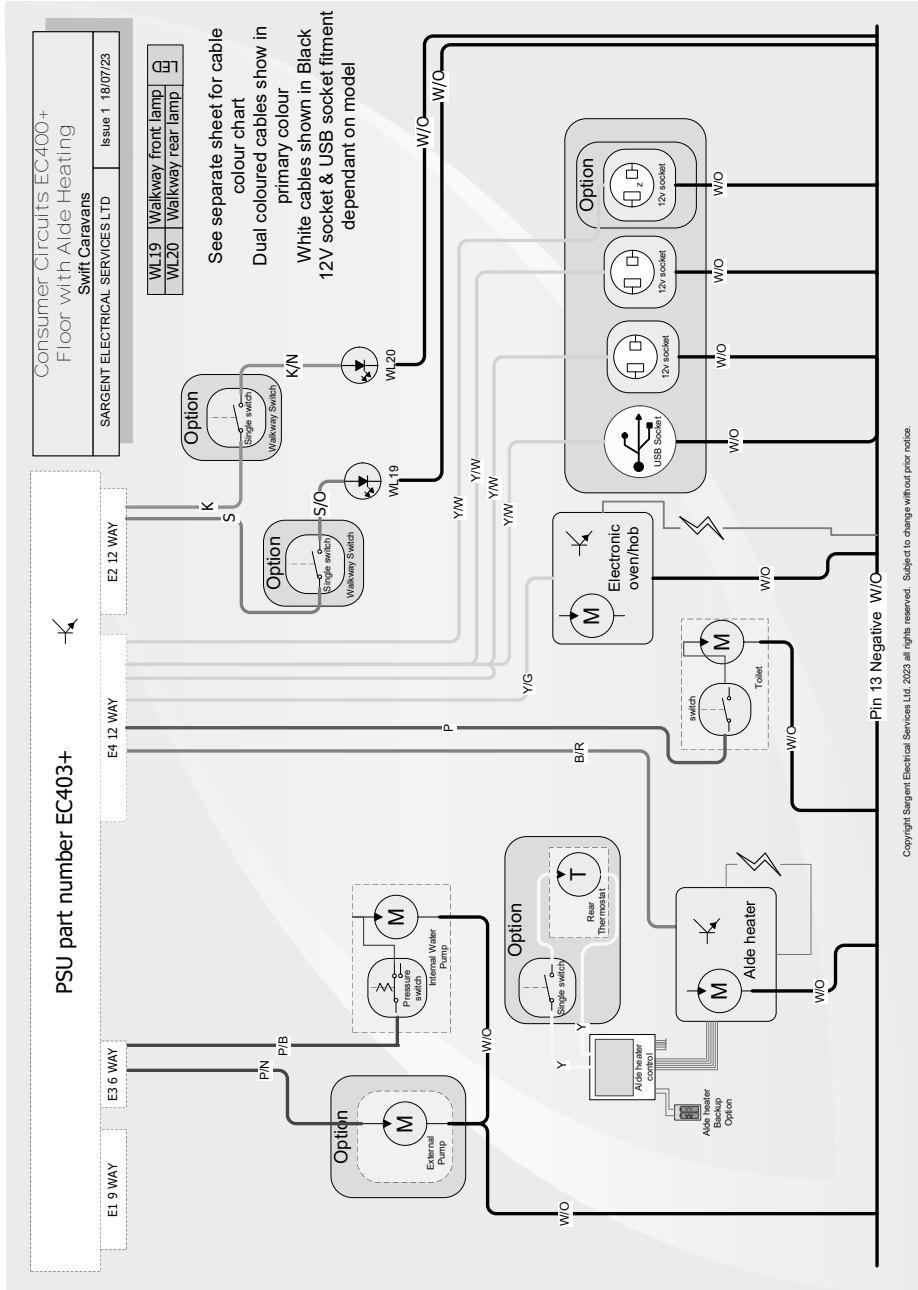
# Wiring Diagrams - Consumer Circuits

## Floor with Combi heating: Sprite and Sprite Grande



# Wiring Diagrams - Consumer Circuits

## Floor with Alde heating - Challenger and Challenger Grande



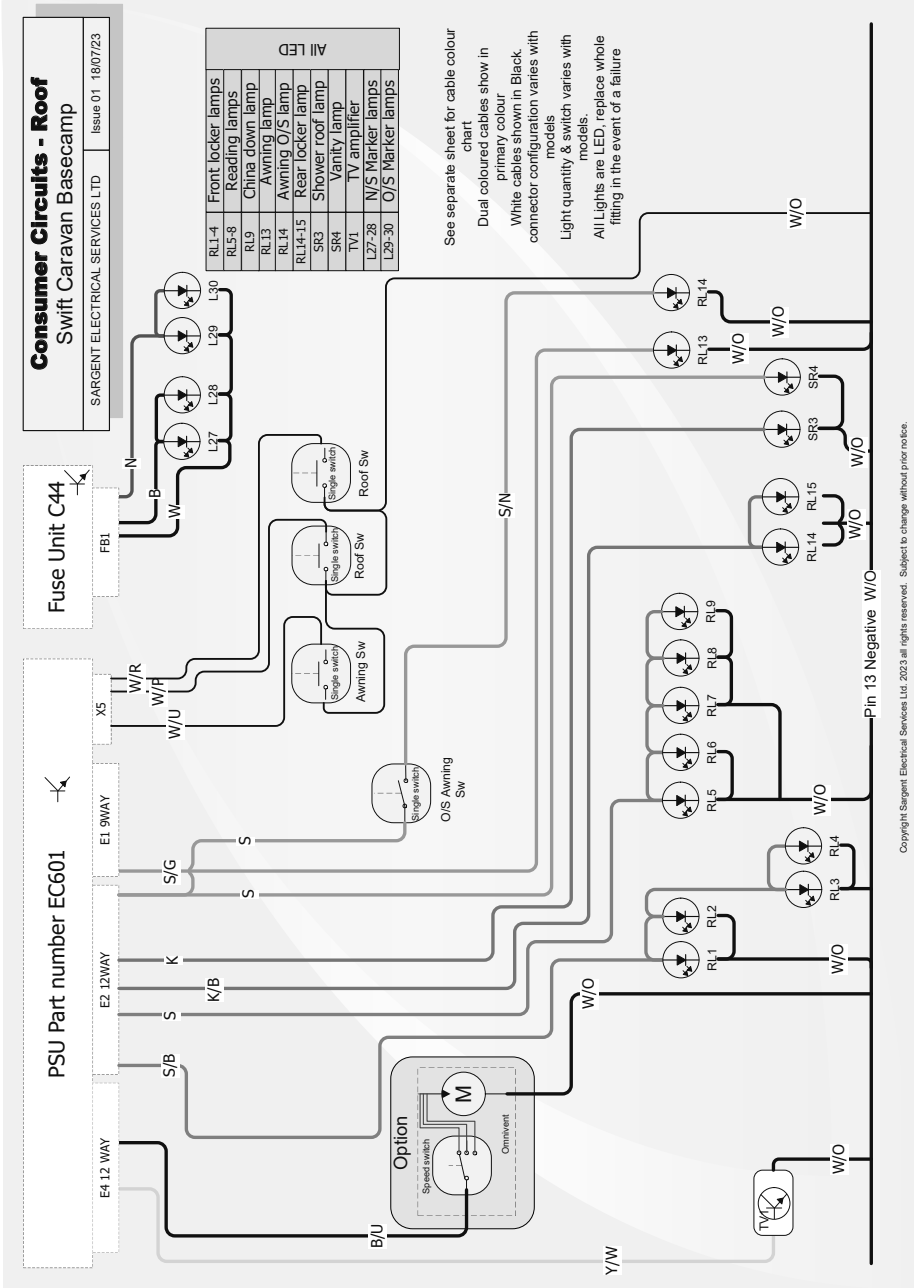
Copyright Sargent Electrical Services Ltd. 2023, all rights reserved. Subject to change without prior notice.





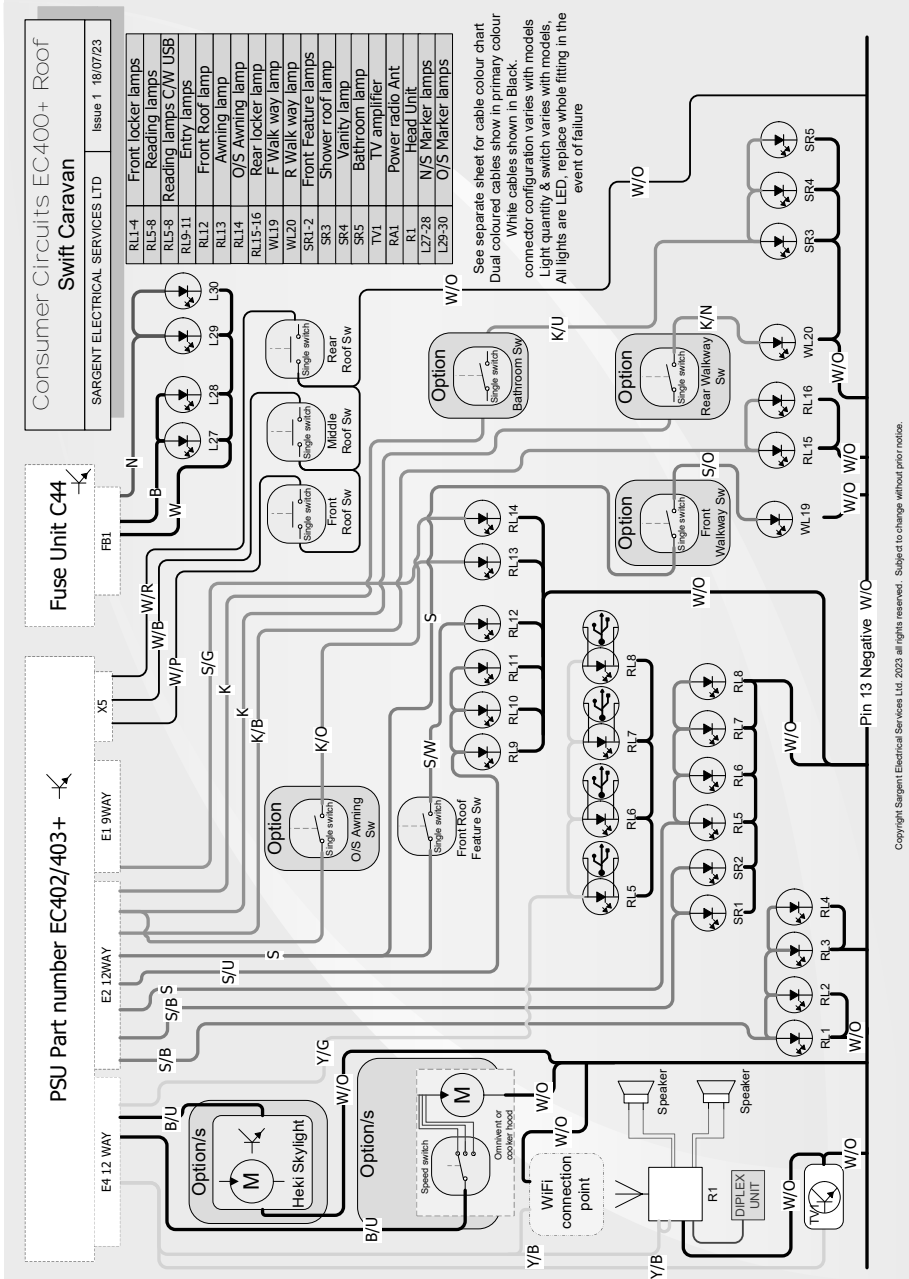
# Wiring Diagrams - Consumer Circuits - Roof

## Basecamp



# Wiring Diagrams - Consumer Circuits - Roof

## Sprite, Sprite Grande, Challenger SE and Challenger Grande SE



# Wiring Diagrams - Consumer Circuits - Roof

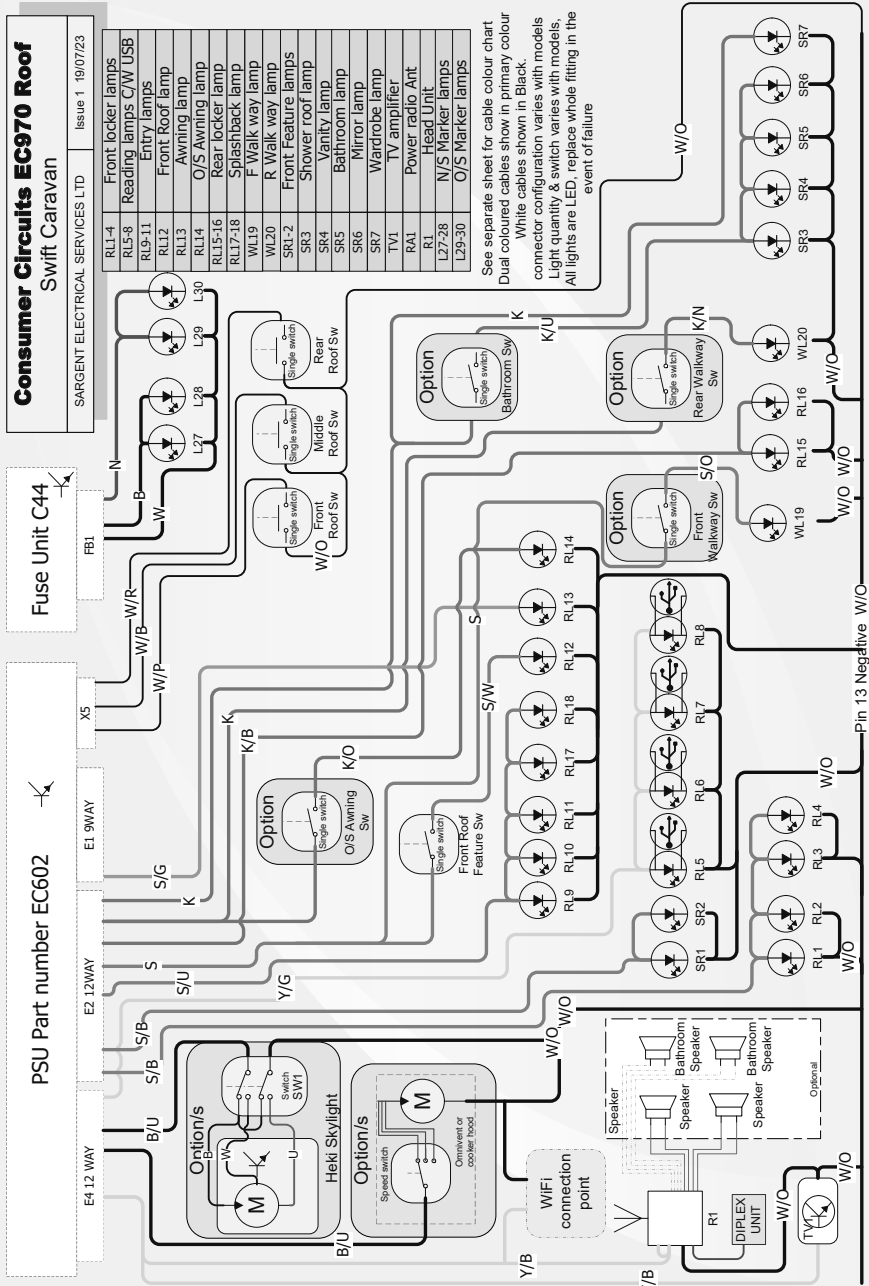
## Elegance Grande

### Consumer Circuits EC970 Roof Swift Caravan

SARGENT ELECTRICAL SERVICES LTD Issue 1 19/07/23

RL1-4	Front locker lamps
RL5-8	Reading lamps C/W USB
RL9-11	Entry lamps
RL12	Front Roof lamp
RL13	Awning lamp
RL14	O/S Awning lamp
RL15-16	Rear locker lamp
RL17-18	Splashback lamp
WL19	R Walk way lamp
WL20	F Walk way lamp
SR1-2	Front Feature lamps
SR3	Shower roof lamp
SR4	Vanity lamp
SR5	Bathroom lamp
SR6	Mirror lamp
SR7	Wardrobe lamp
TV1	TV amplifier
RA1	Power radio Ant
RI	Head Unit
L27-28	N/S Marker lamps
L29-30	O/S Marker lamps

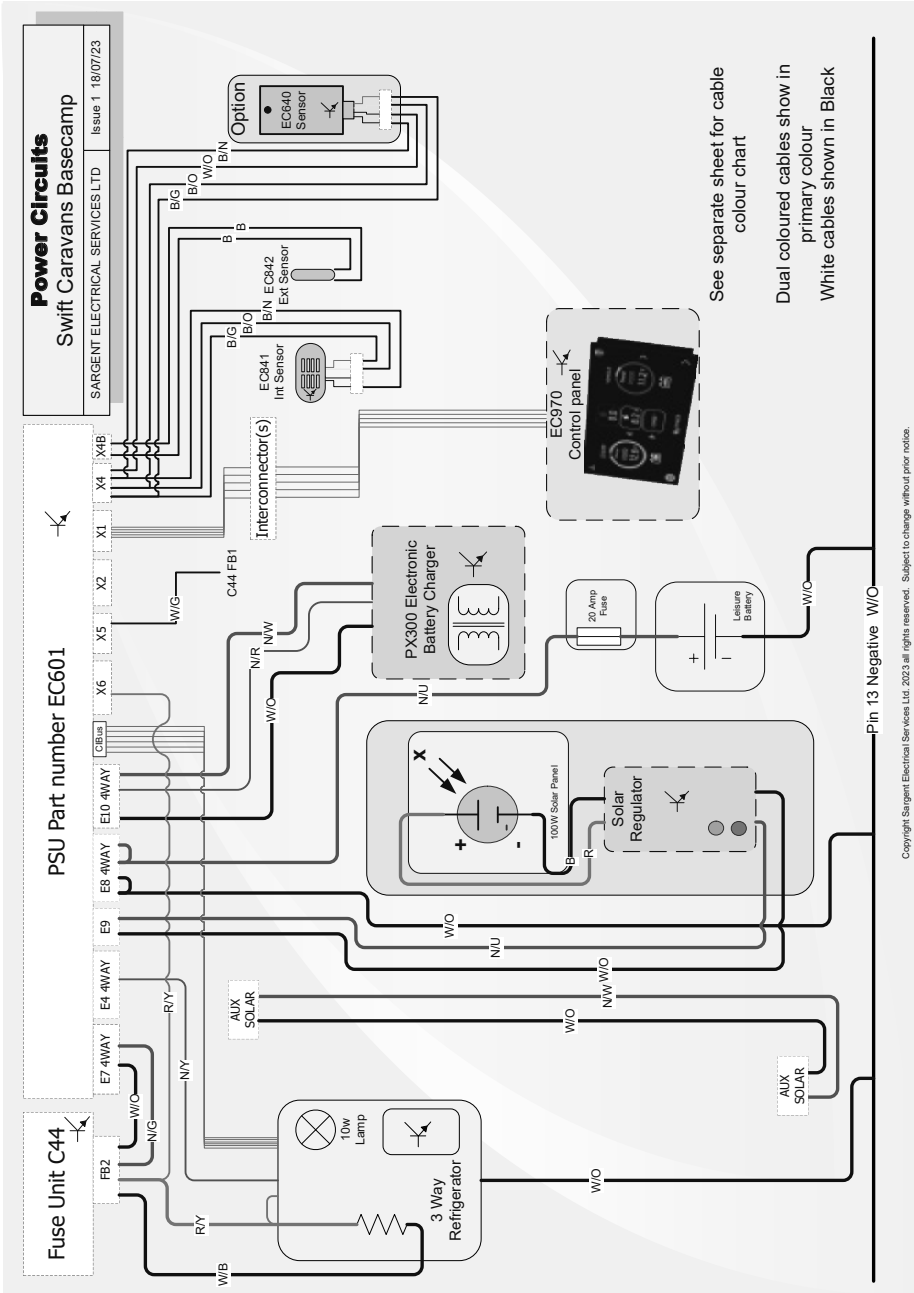
See separate sheet for cable colour chart  
Dual coloured cables show in primary colour  
White cables shown in Black.  
connector configuration varies with models  
Light quantity & switch varies with models  
All lights are LED, replace whole fitting in the event of failure



Copyright Sargent Electrical Services Ltd. 2023 all rights reserved. Subject to change without prior notice.

# Wiring Diagrams - Power Circuits

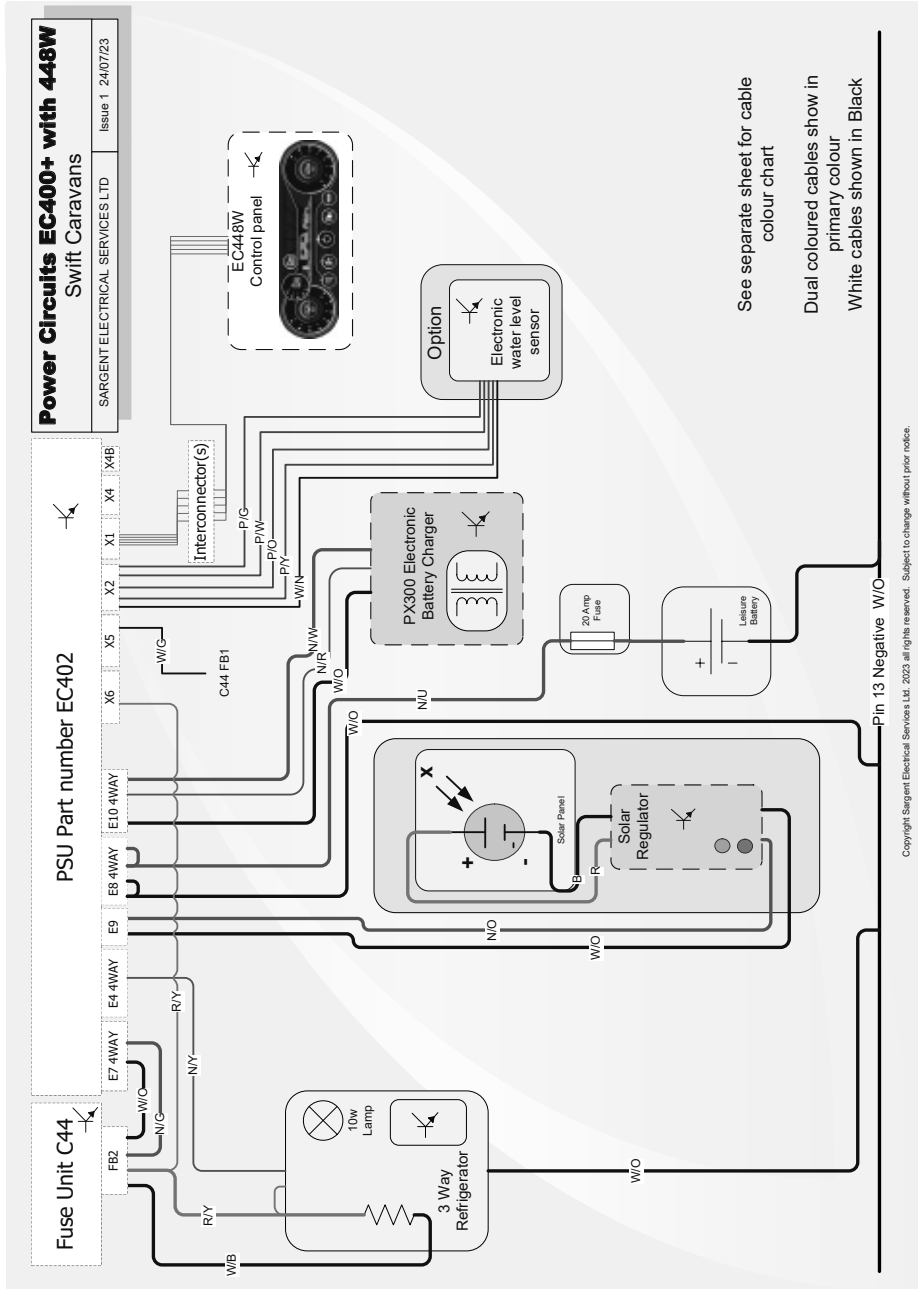
## Basecamp



Copyright Sargent Electrical Services Ltd. 2023 all rights reserved. Subject to change without prior notice.

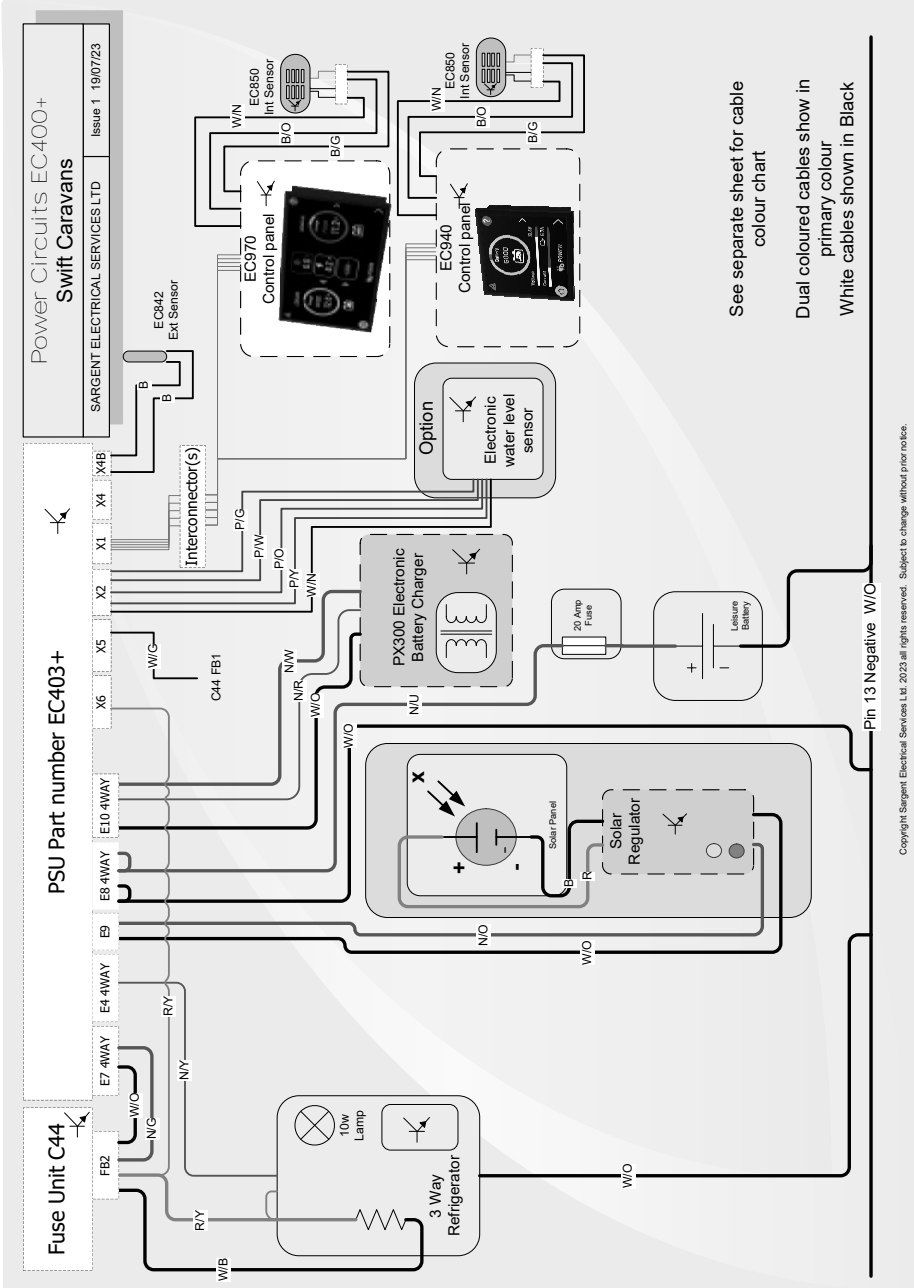
# Wiring Diagrams - Power Circuits

## Sprite and Sprite Grande



# Wiring Diagrams - Power Circuits

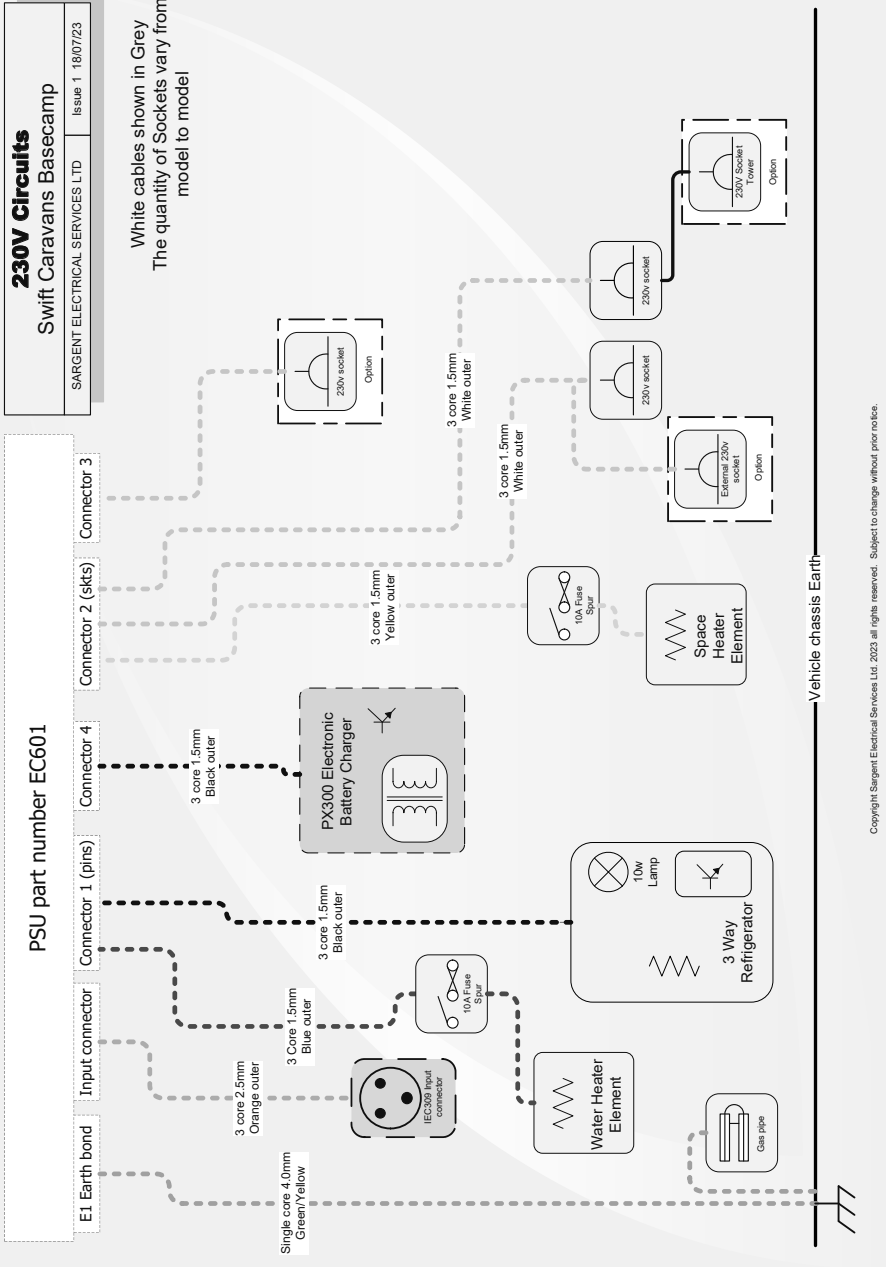
## Challenger SE and Challenger Grande SE





# Wiring Diagrams - 230V Circuits

## Basecamp



Copyright Sargent Electrical Services Ltd. 2023, all rights reserved. Subject to change without prior notice.





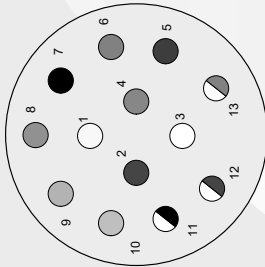
# Wiring Diagrams - 13 Pin Socket

ISO 11446 Circuits  
**Swift Group Caravans (where applicable)**  
 SARGENT ELECTRICAL SERVICES LTD Issue 01 19/07/23

It is possible to get adaptors that convert two sockets on the towbar to a single 13 pin ISO socket, and vice versa.

Connection lead from 12N 7 pin socket plus 12S 7 pin socket to 13pin Euro Socket. (Converts a vehicle with two 7 pin sockets to a caravan with a 13 pin plug)

Please be aware that some car and adaptor manufacturers don't provide the fridge power connections



11446 Plug Connector viewed from cable entry on plug



Pin No	Core Colour	Core Size	Function
1	Yellow	1.5	Left Hand Indicator Light
2	Blue	1.5	Rear Fog Warning Light(s)
3	White	2.5	Earth for pins 1 - 8
4	Green	1.5	Right Hand Indicator Light
5	Brown	1.5	Right Hand Tail Light
6	Red	1.5	Brake Lights
7	Black	1.5	Left Hand Tail Light
8	Pink	1.5	Reverse Light(s)
9	Orange	2.5	Car +ve
10	Slate (Grey)	2.5	Fridge +ve
11	White/Black	2.5	Earth for pin 10
12	White/Blue	1.5	Not Yet Allocated
13	White/Red	2.5	Earth for pin 9

# Wiring Diagrams - Cable Colour Chart

Example



**Y/U**

Yellow cable with Blue stripe

Cable Colour Chart

Swift range

SARGENT ELECTRICAL SERVICES LTD Issue 1 19/07/23

## 12V Cable Colours

<b>B</b>	BLACK
<b>N</b>	BROWN
<b>R</b>	RED
<b>O</b>	ORANGE
<b>Y</b>	YELLOW
<b>G</b>	GREEN
<b>U</b>	BLUE
<b>P</b>	PURPLE
<b>S</b>	SLATE GREY
<b>W</b>	WHITE
<b>K</b>	PINK

## 230V Cable Colours

<b>B</b>	BLACK
<b>N</b>	BROWN
<b>W</b>	WHITE
<b>O</b>	ORANGE
<b>Y</b>	YELLOW
<b>G</b>	GREEN
<b>U</b>	BLUE

# Bulb Replacement

## ROAD LIGHT BULB ACCESS

### REAR LIGHT CLUSTERS (CONTAINING INDICATOR, TAIL / STOP, REVERSE AND FOG LAMPS):

- These multi-function lights are LED and have no user serviceable parts inside.
- Replacement clusters can be fitted in the following way:
- Remove three screws visible around the perimeter of the cluster
- Pull the cluster away from the rear panel of the tourer, taking care to not put excessive strain on the electrical connections behind the lamp
- Unplug the electrical connection from the rear of the lamp, by releasing the tab and lifting the connector upwards relative to the cluster
- Plug the connector back into the replacement lamp, position the lamp into the recess and replace the three fixing screws.

### FRONT LOW LEVEL MARKER / POSITION LAMPS (CLEAR LENSE)

- These lamps are LED and have no user serviceable parts inside.
- Replacements should be undertaken by your dealer, as the lamps are sealed onto the mounting panel.

### HIGH LEVEL BRAKE LAMP

- This lamp is single piece and has no user serviceable parts inside.
- Replacements should be undertaken by your dealer, as the lamps are sealed onto the mounting panel.

## NUMBER PLATE LAMPS

- These lamps are single piece and have no user serviceable parts inside.
- Replacements should be undertaken by your dealer, as the lamps are sealed onto the mounting panel.

### SIDE MARKER / POSITION LAMPS (AMBER LENSE)

- These lamps are LED and have no user serviceable parts inside.
- Replacements should be undertaken by your dealer, as the lamps are sealed onto the mounting panel.

### UPPER SIDE MARKER / POSITION LAMPS (RED AND WHITE LENSE)

- These lamps are LED and have no user serviceable parts inside.
- Replacement should be undertaken by your dealer, as the lamp is sealed onto the mounting panel.

# Dealer Special specifications based on Sprite

Based on Sprite	Compact	Alpine 2	Alpine 4	Major 4 SB
<b>Dealer</b>				
LEISURE SALES	MARBURY COMPACT	MARBURY	DARESBURY	ASTBURY
GRANTHAM	SIENA COMPACT	SIENA 2	SIENA 4	SIENA 4SB
SPINNEY	SPINNEY VOGUE	SPINNEY ALPINE 2	SPINNEY ALPINE 4	SPINNEY MAJOR 4SB
WHITE ARCHES	LOWICK	WOODFORD	HARTWELL	TWYWELL
LOWDHAM		HI-STYLE SE S2	HI-STYLE SE S4	HI-STYLE SE S4SB
SUSSEX	ASHURST	CHILGROVE	GOODWOOD	FINDON
BROADLANE	FAIRWAY COMPACT	FAIRWAY 460	FAIRWAY 470	FAIRWAY 580
MG CARAVANS	ACCORD 380	ACCORD 480	ACCORD 510	ACCORD 580
YC LEISURE		EXCLUSIVE 2	EXCLUSIVE 4	EXCLUSIVE 4SB
TAMAR	MAYFLOWER 400	MAYFLOWER 480	MAYFLOWER 510	MAYFLOWER 580
COUPLANDS		FINESSE 480		FINESSE 580
3A's			CHARISMA 470	CHARISMA 580
KIRKCALDY			EUROPA 510	EUROPA 580
SWINDON	VOGUE COMPACT	VOGUE 480	VOGUE 510	VOGUE 580
ROBINSONS	SUNRISE COMPACT	SUNRISE 480	SUNRISE 510	SUNRISE 580
WANDAHOME		AMBASSADOR	ENVOY	DIPLOMAT
GLOSSOP	CELEBRATE IONA	CELEBRATE A2	CELEBRATE A4	CELEBRATE 4SB
KIMBERLEY	ICON COMPACT	ICON 2	ICON 4	ICON T4
DUNCANS		MORVEN	BEN MORE	BEN NEVIS
TORKSEY		AVENTURAA2	AVENTURAA4	AVENTURA M4SB
TEESIDE	CONTINENTAL COMPACT	CONTINENTAL 480	CONTINENTAL 510	CONTINENTAL 580
Berths	2	2	4	4
Axles	1	1	1	1
Internal Length (bed box height)	3.66m / 12' 0"	4.34m / 14'3"	4.74m / 15'7"	5.83m / 19'2"
Overall Width**	2.03m / 6' 8"	2.25m / 7'5"	2.25m / 7'5"	2.25m / 7'5"
Overall Height (inc. TV Aerial)**	2.59m / 8'6"	2.59m / 8'6"	2.59m / 8'6"	2.59m / 8'6"
Maximum Internal Headroom	1.95m / 6'5"	1.95m / 6'5"	1.95m / 6'5"	1.95m / 6'5"
Overall Length**	5.37m / 17' 7"	6.05m / 19'10"	6.45m / 21'2"	7.54m / 24'9"
Awning A / A dimension	7.95m / 26' 1"	8.59m / 28'2"	8.99m / 29'6"	10.08m / 33'1"
Mass in Running Order (inc. tolerance)	995kg / 19.6cwt	1112kg / 21.9cwt	1154kg / 22.7cwt	1306kg / 25.7cwt
Maximum Technical Permissible Laden Mass (Lower limit)	1109kg / 21.8cwt	1233kg / 24.3cwt	1300kg / 25.6cwt	1462kg / 28.8cwt
Maximum Technical Permissible Laden Mass (Upper limit)	1200kg / 23.6cwt	1250kg / 24.6cwt	1300kg / 25.6cwt	1500kg / 29.5cwt
Total user Payload	114kg / 2.2cwt	121kg / 2.4cwt	146kg / 2.9cwt	156kg / 3.1cwt
Personal Effects	114kg / 2.2cwt	121kg / 2.4cwt	145kg / 2.9cwt	156kg / 3.1cwt
Options	0kg / 0.0cwt	0kg / 0cwt	0kg / 0cwt	0kg / 0cwt
Tyre Size	185 R14C 102 Q	185 R14C 102Q	185 R14C 102Q	185 R14C 102Q
Tyre pressure at Lower limit MTPLM	3.4bar / 49psi	3.4 bar / 49 psi	3.7 bar / 54 psi	4.2 bar / 61 psi
Tyre pressure at Upper limit MTPLM	3.4bar / 49psi	3.5 bar / 51 psi	3.7 bar / 54 psi	4.4 bar / 64 psi
Static Load on Coupling Head	100kg	100kg	100kg	100kg
Thermal Insulation Grade	THREE	THREE	THREE	THREE
<b>Bed Sizes</b>				
Front Double	182cmx180cm / 6'0" x 5'11"	202cm x 180cm / 6'8" x 5'11"	202cm x 128cm / 6'8" x 4'2"	202cm x 159cm / 6'8" x 5'3"
or Front Nearside Single	180cm x 65cm / 5'11" x 2'2"	190cm x 72cm / 6'3" x 2'4"		159cm x 72cm / 5'3" x 2'4"
and Front Offside Single	180cm x 65cm / 5'11" x 2'2"	180cm x 72cm / 5'11" x 2'4"		159cm x 72cm / 5'3" x 2'4"
Rear Double			189cm x 132cm / 6'2" x 4'4"	185cm x 133cm / 6'1" x 4'4"
Side Single (offside)				
Side Single (nearside)				
Side Bunk (offside)				
Side Bunk (nearside)				
Side Fixed Lower Bunk				
Side Fixed Upper Bunk				

**Masses:** The masses are calculated in accordance to EU regulation 1230 / 2012 and NCC code of practice 304.

The Mass in Running Order (MRO) comprises:

- The mass of the empty caravan as supplied by Swift including loose items such as the hook-up cable, kit bag, entrance step, manuals etc.
- 10kg allowance for LPG

The MRO is calculated with the fresh water tank, toilet flush tank and water heater empty. If you travel with water in the fresh water tank, toilet flush tank and the water heater the payload will reduce accordingly.

The personal effects is based on the number of berths and the length of the caravan and includes an allowance of 20kg for a leisure battery.

The Maximum Technical Laden Mass (MTPLM) is the maximum mass allowed when the caravan is fully laden.

**WARNING: Under no circumstances should the MTPLM be exceeded**

Major 4 EB	Major 6 TD	Quattro EW	Quattro FB
HENBURY	PRESTBURY	WRENBURY L	
SIENA 4EB	SIENA 6TD	SIENA 6EW	
SPINNEY MAJOR 4EB	SPINNEY MAJOR 6TD		
ROCKINGHAM	COTTINGHAM		
HI-STYLE SE 54EB	HI-STYLE SE 56TD		
AMBERLEY	WASHINGTON		
FAIRWAY 560			
ACCORD 560	ACCORD 590		
EXCLUSIVE 4EB	EXCLUSIVE 6TD	EXCLUSIVE 6EW	EXCLUSIVE 6FB
MAYFLOWER 560	MAYFLOWER 590	MAYFLOWER 630	
FINESSE 560			
CHARISMA 560	CHARISMA 590	CHARISMA 630	
EUROPA 560	EUROPA 590		
VOGUE 560	VOGUE 590		
SUNRISE 560	SUNRISE 590		
GLOBETROTTER	VISCOUNT	PIONEER	PRESTIGE
CELEBRATE 4EB	CELEBRATE 6TD	CELEBRATE QEW	CELEBRATE QFB
ICON 14			
CAIRNGORM	CULMOR		
AVENTURA M4EB	AVENTURA M6TD		
CONTINENTAL 560		CONTINENTAL 630	CONTINENTAL 620
4	6	6	6
1	1	2	2
5.83m / 19'2"	5.83m / 19'2"	6.27m / 20'7"	6.27m / 20'7"
2.25m / 7'5"	2.25m / 7'5"	2.25m / 7'5"	2.25m / 7'5"
2.59m / 8'6"	2.59m / 8'6"	2.59m / 8'6"	2.59m / 8'6"
1.95m / 6'5"	1.95m / 6'5"	1.95m / 6'5"	1.95m / 6'5"
7.54m / 24'9"	7.54m / 24'9"	7.98m / 26'2"	7.98m / 26'2"
10.08m / 33'1"	10.08m / 33'1"	10.52m / 34'6"	10.52m / 34'6"
1344kg / 26.5cwt	1374kg / 27.0cwt	1460kg / 28.7cwt	1470kg / 28.9cwt
1500kg / 29.5cwt	1550kg / 30.5cwt	1640kg / 32.3cwt	1650kg / 32.5cwt
1500kg / 29.5cwt	1550kg / 30.5cwt	1800kg / 35.4cwt	1800kg / 35.4cwt
156kg / 3.1cwt	176kg / 3.5cwt	180kg / 3.5cwt	180kg / 3.5cwt
156kg / 3.1cwt	176kg / 3.5cwt	180kg / 3.5cwt	180kg / 3.5cwt
0kg / 0cwt	0kg / 0cwt	0kg / 0cwt	0kg / 0cwt
185 R14C 102Q	185 R14C 102Q	185 / 70 R14 88T	185 / 70 R14 88T
4.4 bar / 64 psi	4.5 bar / 65 psi	2.0 bar / 29 psi	2.0 bar / 29 psi
4.4 bar / 64 psi	4.5 bar / 65 psi	2.2 bar / 32 psi	2.2 bar / 32 psi
100kg	100kg	100kg	100kg
THREE	THREE	THREE	THREE
202cm x 159cm / 6'8" x 5'3"	202cm x 180cm / 6'8" x 5'11"	206cm x 134cm / 6'9" x 4'5"	202cm x 180cm / 6'8" x 5'11"
159cm x 72cm / 5'3" x 2'4"	190cm x 72cm / 6'3" x 2'4"		180cm x 72cm / 5'11" x 2'4"
159cm x 72cm / 5'3" x 2'4"	180cm x 72cm / 5'11" x 2'4"		190cm x 72cm / 6'3" x 2'4"
190cm x 133cm / 6'3" x 4'4"		194cm x 132cm / 6'4" x 4'4"	192cm x 132cm / 6'4" x 4'4"
		180cm x 62cm / 5'11" x 2'0"	180cm x 62cm / 5'11" x 2'0"
	180cm x 67cm / 5'11" x 2'2"		
		176cm x 59cm / 5'9" x 1'11"	176cm x 59cm / 5'9" x 1'11"
	176cm x 59cm / 5'9" x 1'11"		
	183cm x 57cm / 6'0" x 1'10"		
	183cm x 57cm / 6'0" x 1'10"		

**Bed Sizes:** Please note that the front double bed sizes quoted are for seating configurations without chest of drawers. The front double bed width for a layout with a chest of drawers fitted will be reduced by 0.4m (1'4") from that stated.

**Awning sizes:** Due to the varying awning designs and sizes the awning sizes given are approximate only. Specific awning sizes must be confirmed by

your dealer or the awning manufacturer prior to purchase.

Est = Estimated weight or bed size

\*\*The dimensions given are approximate due to slight variations in suspension ride heights, loading conditions and tyre pressures.

Customers should verify the actual dimensions of

their touring caravan before committing to anything that could be impacted by these dimensions

**Please note:** Any dealer fit options will reduce the overall payload available to the user of the caravan.

If you require additional payload it is possible to upgrade the MTPLM to the upper limit. Please contact your caravan dealer for more information.

# Dealer Special specifications based on Sprite Grande

Based on	Sprite Major 4SB Grande	Sprite Quattro FB Grande	Sprite Quattro DB Grande
<b>Dealer</b>			
LEISURE SALES	ASTBURY SBW		
GRANTHAM	SIENA GRANDE 4SB		SIENA GRANDE 6DB
SPINNEY	SPINNEY MAJOR 4SB GRANDE		
WHITEARCHES		CALDECOTT	HARRINGWORTH
LOWDHAM	HI-STYLE SE GRANDE SB4		
MG CARAVANS	ACCORD 880	ACCORD 820	ACCORD 825
YC LEISURE	EXCLUSIVE 4SB GRANDE	EXCLUSIVE 6FB GRANDE	EXCLUSIVE 6DB GRANDE
TAMAR	MAYFLOWER 880	MAYFLOWER 830	
COUPLANDS	FINESSE 880	FINESSE 825	
3A's	CHARISMA 580 GRANDE	CHARISMA 625 GRANDE	CHARISMA 615 GRANDE
KIRKCALDY	EUROPA 880 GRANDE	EUROPA 840 GRANDE	EUROPA 866 GRANDE
SWINDON	VOGUE 580 GRANDE		
ROBINSONS	SUNRISE 580 GRANDE		
WANDAHOME	DAYSTAR	NIGHSTAR	SUPERSTAR
GLOSSOP	CELEBRATE GRANDE 4SB	CELEBRATE GRANDE QFB	CELEBRATE GRANDE QDB
KIMBERLEY	ICON T4 /B	ICON FB/8	ICON DB/8
DUNCANS	CUILLIN	BEN VORLICH	
TORKSEY	AVENTURA SM4SB	AVENTURA SQ6FB	AVENTURA SQ6DB
TEESIDE	CONTINENTAL 880	CONTINENTAL 830	CONTINENTAL 825
Berths	4	6	6
Axles	1	2	2
Internal Length (bed box height)	5.83m / 19' 2"	6.27m / 20' 7"	6.27m / 20' 7"
Overall Width**	2.46m / 8'1"	2.46m / 8'1"	2.46m / 8'1"
Overall Height (inc. TV Aerial)**	2.61m / 8'7"	2.59m / 8'6"	2.59m / 8'6"
Maximum Internal Headroom	1.95m / 6'5"	1.95m / 6'5"	1.95m / 6'5"
Overall Length**	7.54m / 24'9"	7.98m / 26'2"	7.98m / 26'2"
Awning A / A dimension	10.20m / 33'6"	10.56m / 34'8"	10.56m / 34'8"
Mass in Running Order (inc. tolerance)	1381kg / 27.2cwt	1545kg / 30.4cwt	1551kg / 30.5cwt
Maximum Technical Permissible Laden Mass (Lower limit)	1537kg / 30.3cwt	1725kg / 34.0cwt	1731kg / 34.1cwt
Maximum Technical Permissible Laden Mass (Upper limit)	1650kg / 32.5cwt	1800kg / 35.4cwt	1800kg / 35.4cwt
Total user Payload	156kg / 3.1cwt	180kg / 3.5cwt	180kg / 3.5cwt
Personal Effects	156kg / 3.1cwt	180kg / 3.5cwt	180kg / 3.5cwt
Options	0kg / 0.0cwt	0kg / 0cwt	0kg / 0cwt
Tyre Size	195/70 R15C 104 R	185 / 70 R14 88T	185 / 70 R14 88T
Tyre pressure at Lower limit MTPLM	42 bar / 61 psi	2.1 bar / 30 psi	2.1 bar / 30 psi
Tyre pressure at Upper limit MTPLM	4.5 bar / 65 psi	2.2 bar / 32 psi	2.2 bar / 32 psi
Static Load on Coupling Head	100kg	100kg	100kg
Thermal Insulation Grade	THREE	THREE	THREE
<b>Bed Sizes</b>			
Front Double	225cm x 163cm / 7'4" x 5'4"	225cm x 180cm / 7'4" x 5'11"	225cm x 180cm / 7'4" x 5'11"
or Front Nearside Single and Front Offside Single	163cm x 73cm / 5'4" x 2'5"	180cm x 73cm / 5'11" x 2'5"	180cm x 73cm / 5'11" x 2'5"
Rear Double	163cm x 73cm / 5'4" x 2'5"	180cm x 73cm / 5'11" x 2'5"	180cm x 73cm / 5'11" x 2'5"
Rear Double	185cm x 133cm / 6'1" x 4'4"	196cm x 135cm / 6'5" x 4'5"	
Side Double (offside)		190cm x 134cm / 6'3" x 4'5"	190cm x 134cm / 6'3" x 4'5"
Side Fixed Lower Bunk			182cm x 72cm x 6'0" x 2'4"
Side Fixed Upper Bunk			182cm x 72cm x 6'0" x 2'4"

**Masses:** The masses are calculated in accordance to EU regulation 1230 / 2012 and NCC code of practice 304.

The Mass in Running Order (MRO) comprises:

1. The mass of the empty caravan as supplied by Swift including loose items such as the hook-up cable, kit bag, entrance step, manuals etc.
2. 10kg allowance for LPG

The MRO is calculated with the fresh water tank, toilet flush tank and water heater empty. If you travel with water in the fresh water tank, toilet flush tank and the water heater the payload will reduce accordingly.

The personal effects is based on the number of berths and the length of the caravan and includes an allowance of 20kg for a leisure battery.

The Maximum Technical Laden Mass (MTPLM) is the maximum mass allowed when the caravan is fully laden.

**WARNING: Under no circumstances should the MTPLM be exceeded**

Sprite Quattro EB Grande
WRENBURY EBW
SIENA GRANDE 4EB
SPINNEY QUATTRO GRANDE EB
SUDBOROUGH
HI-STYLE SE GRANDE TWIN EB
ACCORD 830
EXCLUSIVE 4EB GRANDE
MAYFLOWER 820
FINESSE 820
CHARISMA 650 GRANDE
EUROPA 850 GRANDE
SUNRISE 650 GRANDE
DAWNSTAR
CELEBRATE GRANDE QEB
ICON EB/8
BEN LOMOND
AVENTURA SO4EB
CONTINENTAL 820
4
2
6.27m / 20'7"
2.46m / 8'1"
2.59m / 8'6"
1.95m / 6'5"
7.98m / 26'2"
10.56m / 34'8"
1552kg / 30.6cwt Est
1712kg / 33.7cwt Est
1800kg / 35.4cwt
160kg / 3.1cwt
160kg / 3.1cwt
0kg / 0cwt
185 / 70 R14 88T
2.1 bar / 30 psi
2.2 bar / 32 psi
100kg
THREE
225cm x 163cm / 7'4" x 5'4"
163cm x 73cm / 5'4" x 2'5"
180cm x 73cm / 5'11" x 2'5"
191cm x 143cm / 6'3" x 4'8"

**Bed Sizes:** Please note that the front double bed sizes quoted are for seating configurations without chest of drawers. The front double bed width for a layout with a chest of drawers fitted will be reduced by 0.4m (1'4") from that stated.

**Awning sizes:** Due to the varying awning designs and sizes the awning sizes given are approximate only. Specific awning sizes must be confirmed by your dealer or the awning manufacturer prior to purchase.

Est = Estimated weight or bed size

\*\*The dimensions given are approximate due to slight variations in suspension ride heights, loading conditions and tyre pressures.

Customers should verify the actual dimensions of their touring caravan before committing to anything that could be impacted by these dimensions

**Please note:** Any dealer fit options will reduce the overall payload available to the user of the caravan.

If you require additional payload it is possible to upgrade the MTPM to the upper limit. Please contact your caravan dealer for more information.



# Dealer Special specification based on Elegance Grande

Based on Elegance Grande	Elegance 760 Grande	Elegance 780 Grande	Elegance 835 Grande
<b>Dealer</b>			
COUPLANDS	BESSACARR BY DESIGN 760	BESSACARR BY DESIGN 780	BESSACARR BY DESIGN 835
Berths	4	4	4
Axles	1	1	2
Internal Length (bed box height)	5.95m / 19'6"	5.95m / 19'6"	6.36m / 20'10"
Overall Width*	2.45m / 8'0"	2.45m / 8'0"	2.45m / 8'0"
Overall Height (inc. TV Aerial)*	2.61m / 8'7"	2.61m / 8'7"	2.59m / 8'6"
Maximum Internal Headroom	1.95m / 6'5"	1.95m / 6'5"	1.95m / 6'5"
Overall Length*	7.57m / 24'10"	7.57m / 24'10"	7.98m / 26'2"
Awning A / A dimension	10.08m / 33'1"	10.08m / 33'1"	10.49m / 34'5"
Mass in Running Order (inc. tolerance)	1716kg / 33.8cwt	1738kg / 34.2cwt	1919kg / 37.8cwt
Maximum Technical Permissible Laden Mass (Lower limit)	1872kg / 36.8cwt	1894kg / 37.3cwt	2079kg / 40.9cwt
Maximum Technical Permissible Laden Mass (Upper limit)	1900kg / 37.4cwt	1900kg / 37.4cwt	2250kg / 44.3cwt
Total user Payload	156kg / 3.1cwt	156kg / 3.1cwt	160kg / 3.1cwt
Personal Effects	156kg / 3.1cwt	156kg / 3.1cwt	160kg / 3.1cwt
Options	0kg / 0.0cwt	0kg / 0.0cwt	41kg / 0.8cwt
Tyre Size	215/70 R15C 109	215/70 R15C 109	185/65 R15 92XL
Tyre pressure at Lower limit MTPLM	4.5 bar / 65 psi	4.5 bar / 65 psi	3.2 bar / 46 psi
Tyre pressure at Upper limit MTPLM	4.5 bar / 65 psi	4.5 bar / 65 psi	3.5 bar / 51 psi
Static Load on Coupling Head	100kg	100kg	120kg
Thermal Insulation Grade	THREE	THREE	THREE
<b>Bed Sizes</b>			
Front Double	194cm x 122cm / 6'4" x 4'0"	218cm x 126cm / 7'2" x 4'2"	218cm x 126cm / 7'2" x 4'2"
Rear Double	191cm x 143cm / 6'3" x 4'8"	191cm x 133cm / 6'3" x 4'4"	191cm x 133cm / 6'3" x 4'4"

**Masses:** The masses are calculated in accordance to EU regulation 1230 / 2012 and NCC code of practice 304.

The Mass in Running Order (MRO) comprises:

1. The mass of the empty caravan as supplied by Swift including loose items such as the hook-up cable, kit bag, entrance step, manuals etc.
2. 10kg allowance for LPG

**Bed Sizes:** Please note that the front double bed sizes quoted are for seating configurations without chest of drawers. The front double bed width for a layout with a chest of drawers fitted will be reduced by 0.4m (1'4") from that stated.

**Awning sizes:** Due to the varying awning designs and sizes the awning sizes given are approximate only. Specific awning sizes must be confirmed by your dealer or the awning manufacturer prior to purchase.

The MRO is calculated with the fresh water tank, toilet flush tank and water heater empty. If you travel with water in the fresh water tank, toilet flush tank and the water heater the payload will reduce accordingly.

The personal effects is based on the number of berths and the length of the caravan and includes an allowance of 20kg for a leisure battery.

Est = Estimated weight or bed size

\*\*The dimensions given are approximate due to slight variations in suspension ride heights, loading conditions and tyre pressures.

Customers should verify the actual dimensions of their touring caravan before committing to anything that could be impacted by these dimensions

**Please note:** Any dealer fit options will reduce the overall payload available to the user of the caravan.

The Maximum Technical Laden Mass (MTPLM) is the maximum mass allowed when the caravan is fully laden.

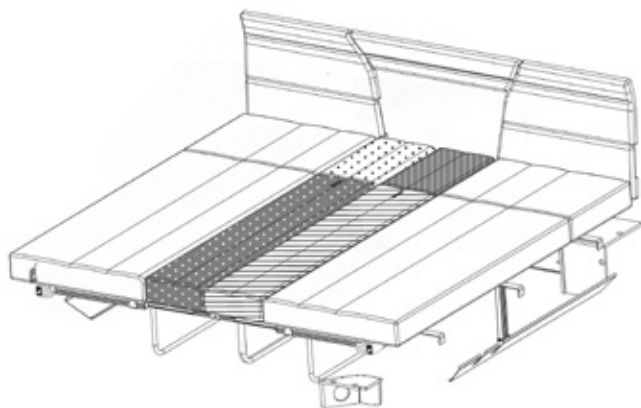
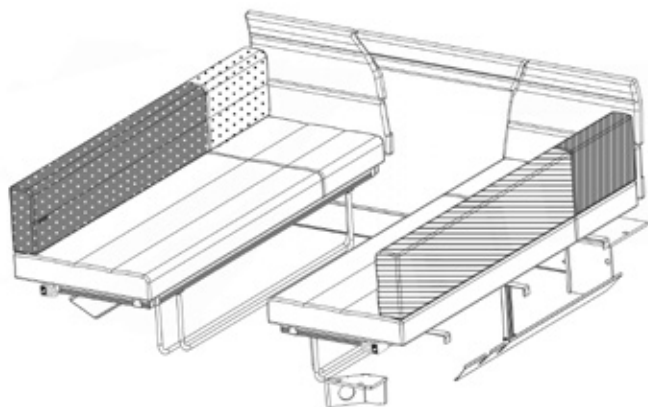
**WARNING: Under no circumstances should the MTPLM be exceeded**

If you require additional payload it is possible to upgrade the MTPLM to the upper limit. Please contact your caravan dealer for more information.

Elegance 845 Grande	Elegance 850 Grande	Elegance 860 Grande
BESSACARR BY DESIGN 845	BESSACARR BY DESIGN 850	BESSACARR BY DESIGN 860
4	4	4
2	2	2
6.36m / 20'10"	6.36m / 20'10"	6.36m / 20'10"
2.45m / 8'0"	2.45m / 8'0"	2.45m / 8'0"
2.59m / 8'6"	2.59m / 8'6"	2.59m / 8'6"
1.95m / 6'5"	1.95m / 6'5"	1.95m / 6'5"
7.98m / 26'2"	7.98m / 26'2"	7.98m / 26'2"
10.49m / 34'5"	10.49m / 34'5"	10.49m / 34'5"
1893kg / 37.3cwt	1909kg / 37.6cwt	1919kg / 37.8cwt
2053kg / 40.4cwt	2069kg / 40.7cwt	2079kg / 40.9cwt
2250kg / 44.3cwt	2250kg / 44.3cwt	2250kg / 44.3cwt
160kg / 3.1cwt	160kg / 3.1cwt	160 kg / 3.1cwt
160kg / 3.1cwt	160kg / 3.1cwt	160kg / 3.1cwt
0kg / 0 cwt	0kg / 0 cwt	0kg / 0 cwt
185/65 R15 92XL	185/65 R15 92XL	185/65 R15 92 XL
3.1 bar / 45 psi	3.1 bar / 45 psi	3.2 bar / 46 psi
3.5 bar / 51 psi	3.5 bar / 51 psi	3.5 bar / 51 psi
120kg	120kg	120kg
THREE	THREE	THREE
218cm x 126cm / 7'2" x 4'2"	194cm x 122cm / 6'4" x 4'0"	194cm x 122cm / 6'4" x 4'0"
191cm x 133cm / 6'3" x 4'4"	191cm x 143cm / 6'3" x 4'8"	191cm x 143cm / 6'3" x 4'8"

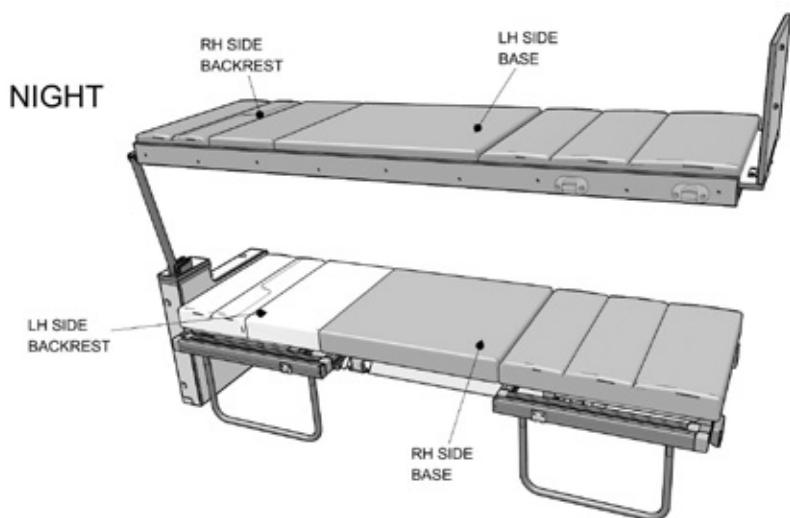
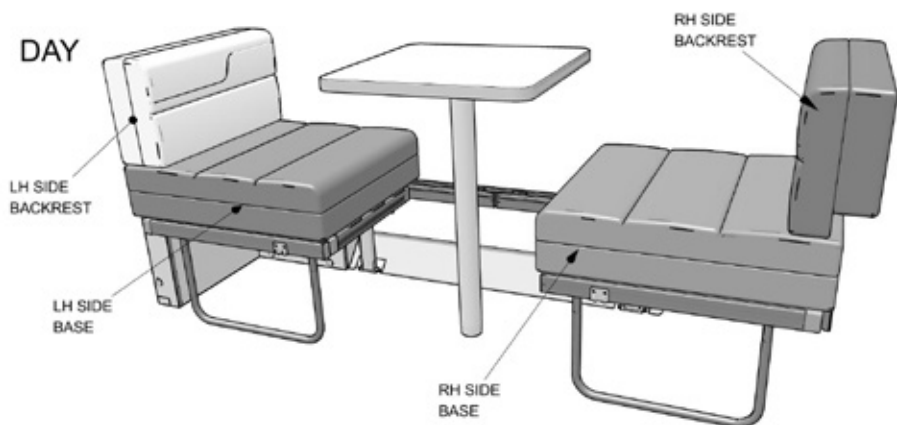
## Bed make up

### Bed make up in Basecamp front end



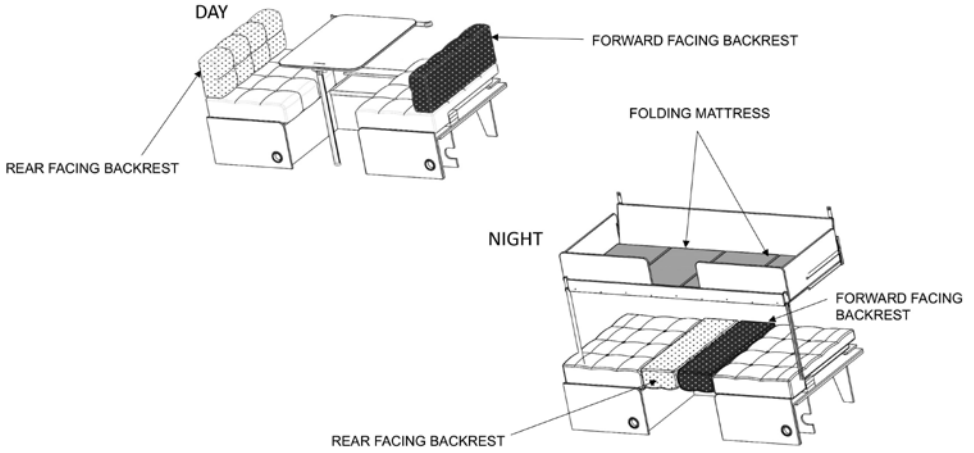
# Bed make up

## Bunk bed make up in Basecamp 4

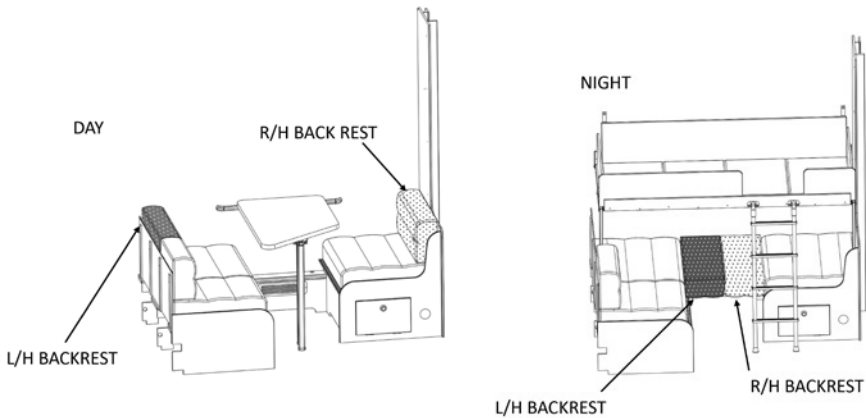


# Bed make up

## Bed make up in Sprite Quattro EW

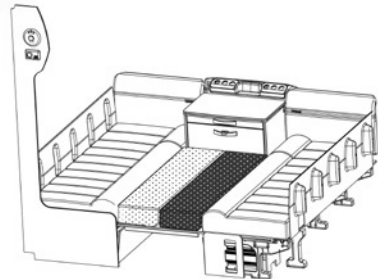
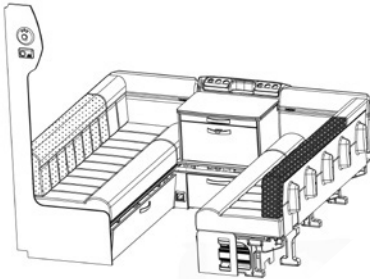
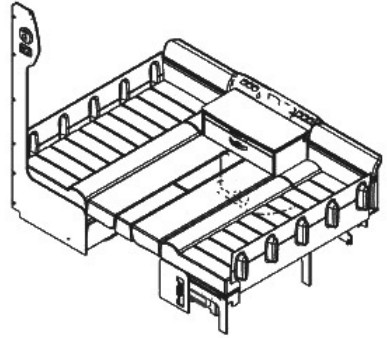
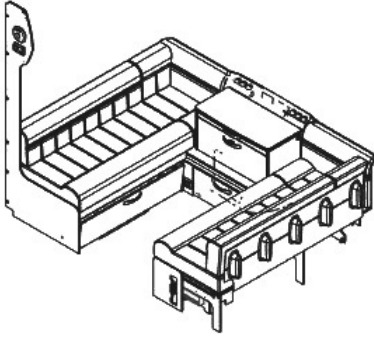


## Bed make up on Sprite Major 6 TD



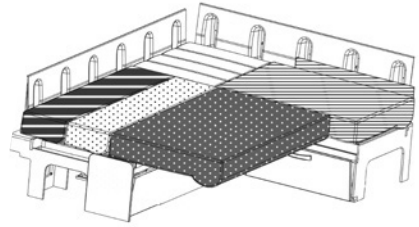
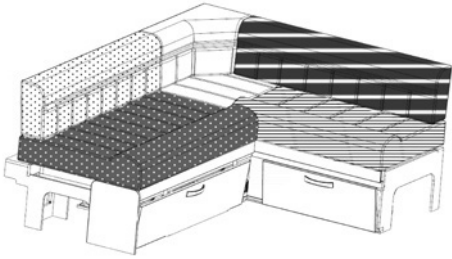
# Bed make up

## Bed make up in Sprite Grande, Challenger Grande and Elegance Grande

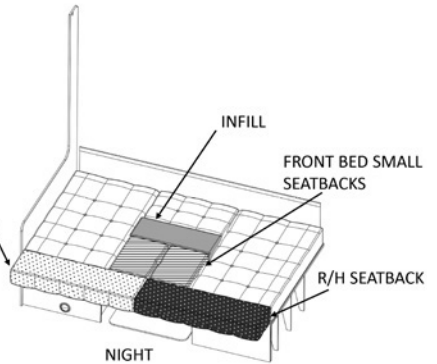
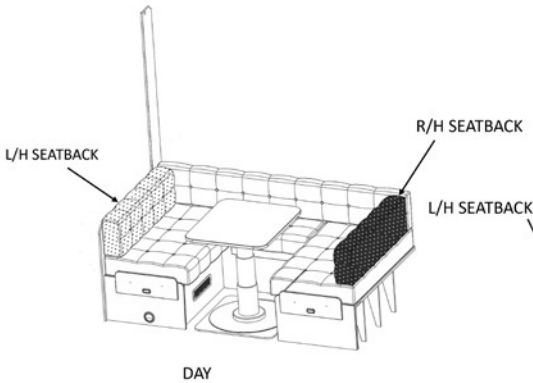


# Bed make up

## Front "L" Bed make up in Elegance Grande



## Bed make up in Sprite Grande mid bed











***SWIFT***

## **SWIFT GROUP**

Dunswell Road

Cottingham

East Yorkshire

HU16 4JX

**Tel:** 01482 875740

**Fax:** 01482 840082

### **Customer Experience Team**

[enquiries@swiftleisure.co.uk](mailto:enquiries@swiftleisure.co.uk)

FIND OUT MORE AT **SWIFTGROUP.CO.UK**