



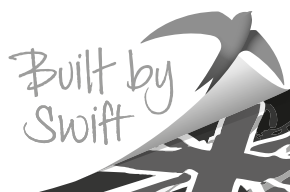
**Swift Group**  
Dunswell Road  
Cottingham  
East Yorkshire HU16 4JX  
Tel **01482 875740**  
Fax **01482 840082**  
email [enquiry@swiftgroup.co.uk](mailto:enquiry@swiftgroup.co.uk)

For more information visit  
[www.swiftgroup.co.uk](http://www.swiftgroup.co.uk)

Issued July 2013

# Escape Tech Handbook

---



Specifications ..... 2

Capacities ..... 8

Towing Capabilities ..... 9

Jacking ..... 10

Wiring Diagrams ..... 11

Bulb Chart ..... 17

Bulb Replacement..... 18



# Specifications

Model	Escape 662 Standard	Escape 662 Optional	Escape 662 Optional MTPLM	Escape 662 Optional MTPLM
Roof Profile	Low Line		Low Line	
Engine	130 MJT (2.3L)	130 MJT (2.3L) Auto	130 MJT (2.3L)	130 MJT (2.3L) Auto
Engine Capacity	2287cc	2287cc	2287cc	2287cc
Max Power	96kW @ 3600rpm	96kW @ 3600rpm	96kW @ 3600rpm	96kW @ 3600rpm
Torque	320Nm @ 1800rpm	320Nm @ 1800rpm	320Nm @ 1800rpm	320Nm @ 1800rpm
Chassis	MLWB Fiat Chassis		MLWB Fiat Chassis	
Wheel base	3.80m/12'6"		3.80m/12'6"	
Designated Passenger Seats excluding Driver	1		1	
Berths (sleeping positions)	2		2	
Overall Length (no ladder)*	6.72m/22'1"		6.72m/22'1"	
Overall Width (mirrors folded)	2.31m/7'7"		2.31m/7'7"	
Overall Height*	2.85m/9'4"		2.85m/9'4"	
Maximum Technical Permissible Laden Mass (A)	3500kg		3650kg	
Mass in Running Order (B)	2906kg	2923kg	2906kg	2923kg
Maximum User Payload (A-B)	594kg	577kg	744kg	727kg
Unladen Weight	2681kg	2698kg	2681kg	2698kg
Essential Habitation Equipment	9kg			
Thermal Insulation Grade	Three			
<b>Bed Sizes</b>				
Front Double				
Front Nearside Single				
Front Offside Single				
Rear Double	1.85m x 1.25m / 6'1" x 4'1"			
Rear Nearside Single				
Rear Offside Single				
Rear Bunk (Upper)				
Rear Bunk (Lower)				
Overcab Bed				

**NOTE:** 1. **The Maximum User Payload** includes:

- a) the **conventional load** (this is the allowance for passengers)
- b) **essential habitation equipment** (items and fluids required for safe and proper functioning of habitation equipment)
- c) **optional equipment** (items available from the manufacturer over and above the standard specification)
- d) **personal effects** (those items not covered by the above)

2. The **Mass in Running Order** is the mass of the unladen vehicle including a 75kg allowance for the driver plus engine coolants and 90% of the fuel tank, water tank and gas capacity.

3. PLEASE TAKE CARE TO ENSURE THAT YOU HAVE ALLOWED FOR THE MASSES OF ALL ITEMS YOU INTEND TO CARRY IN THE MOTOR CARAVAN, e.g. passengers, optional equipment, essential habitation equipment and personal effects, such as clothing, food, pets, bicycles, sailboards, sports equipment etc.

4. **WARNING** - UNDER NO CIRCUMSTANCES SHOULD THE MAXIMUM TECHNICAL PERMISSIBLE LADEN MASS OF THIS MOTOR CARAVAN BE EXCEEDED.

\* For optional roof ladder add 125mm to length 40mm to height on Low Line

Escape 664 Standard	Escape 664 Optional	Escape 664 Optional MTPLM	Escape 664 Optional MTPLM
Low Line		Low Line	
130 MJT (2.3L)	130 MJT (2.3L) Auto	130 MJT (2.3L)	130 MJT (2.3L) Auto
2287cc	2287cc	2287cc	2287cc
96kW @ 3600rpm	96kW @ 3600rpm	96kW @ 3600rpm	96kW @ 3600rpm
320Nm @ 1800rpm	320Nm @ 1800rpm	320Nm @ 1800rpm	320Nm @ 1800rpm
MLWB Fiat Chassis		MLWB Fiat Chassis	
3.80m/12'6"		3.80m/12'6"	
3		3	
4		4	
6.72m/22'1"		6.72m/22'1"	
2.31m/7'7"		2.31m/7'7"	
2.85m/9'4"		2.85m/9'4"	
3500kg		3650kg	
2942kg	2959kg	2942kg	2959kg
558kg	541kg	708kg	691kg
2717kg	2734kg	2717kg	2734kg
9kg		9kg	
Three		Three	
2.08m x 1.24/0.93m / 6'10" x 4'1"/3'1"			
1.85m x 1.25m / 6'1" x 4'1"			

# Specifications

Model	Escape 686 Standard	Escape 686 Optional	Escape 686 Optional MTPLM	Escape 686 Optional MTPLM
Roof Profile	High Line		High Line	
Engine	130 MJT (2.3L)	130 MJT (2.3L) Auto	130 MJT (2.3L)	130 MJT (2.3L) Auto
Engine Capacity	2287cc	2287cc	2287cc	2287cc
Engine Power	96kW @ 3600rpm	96kW @ 3600rpm	96kW @ 3600rpm	96kW @ 3600rpm
Torque	320Nm @ 1800rpm	320Nm @ 1800rpm	320Nm @ 1800rpm	320Nm @ 1800rpm
Chassis	LWB Fiat Chassis		LWB Fiat Chassis	
Wheel base	4.04m/13'3"		4.04m/13'3"	
Designated Passenger Seats excluding Driver	5		4	
Berths (sleeping positions)	6		6	
Overall Length (no ladder)*	6.92m/22'8"		6.92m/22'8"	
Overall Width (mirrors folded)	2.31m/7'7"		2.31m/7'7"	
Overall Height*	2.94m/9'8"		2.94m/9'8"	
Maximum Technical Permissible Laden Mass (A)	3650kg		3500kg	
Mass in Running Order (B)	3054kg	3071kg	3054kg	3071kg
Maximum User Payload (A-B)	596kg	579kg	446kg	429kg
Unladen Weight	2852kg	2869kg	2852kg	2869kg
Essential Habitation Equipment	9kg			
Thermal Insulation Grade	Three			
<b>Bed Sizes</b>				
Front Double	1.84m x 1.22m / 6'0" x 4'0"			
Front Nearside Single				
Front Offside Single	1.84m x 0.92m / 6'0" x 3'0"			
Rear Double	2.08m x 1.34m / 6'10" x 4'5"			
Rear Nearside Single				
Rear Offside Single				
Rear Bunk (Upper)				
Rear Bunk (Lower)				
Overcab Bed	2.08m x 1.37m / 6'10" x 4'6"			

**NOTE:** 1. **The Maximum User Payload** includes:

a) the **conventional load** (this is the allowance for passengers)

b) **essential habitation equipment** (items and fluids required for safe and proper functioning of habitation equipment)

c) **optional equipment** (items available from the manufacturer over and above the standard specification)

d) **personal effects** (those items not covered by the above)

2. The **Mass in Running Order** is the mass of the unladen vehicle including a 75kg allowance for the driver plus engine coolants and 90% of the fuel tank, water tank and gas capacity.

3. PLEASE TAKE CARE TO ENSURE THAT YOU HAVE ALLOWED FOR THE MASSES OF ALL ITEMS YOU INTEND TO CARRY IN THE MOTOR CARAVAN, e.g. passengers, optional equipment, essential habitation equipment and personal effects, such as clothing, food, pets, bicycles, sailboards, sports equipment etc.

4. **WARNING** - UNDER NO CIRCUMSTANCES SHOULD THE MAXIMUM TECHNICAL PERMISSIBLE LADEN MASS OF THIS MOTOR CARAVAN BE EXCEEDED.

\* For optional roof ladder add 125mm to length 40mm to height on Low Line

Escape 696 Standard	Escape 696 Optional	Escape 696 Optional MTPLM	Escape 696 Optional MTPLM
High Line		High Line	
130 MJT (2.3L)	130 MJT (2.3L) Auto	130 MJT (2.3L)	130 MJT (2.3L) Auto
2287cc	2287cc	2287cc	2287cc
96kW @ 3600rpm	96kW @ 3600rpm	96kW @ 3600rpm	96kW @ 3600rpm
320Nm @ 1800rpm	320Nm @ 1800rpm	320Nm @ 1800rpm	320Nm @ 1800rpm
LWB Fiat Chassis		LWB Fiat Chassis	
4.04m/13'3"		4.04m/13'3"	
5		4	
6		6	
6.92m/22'8"		6.92m/22'8"	
2.31m/7'7"		2.31m/7'7"	
2.94m/9'8"		2.94m/9'8"	
3650kg		3500kg	
3052kg	3069kg	3052kg	3069kg
598kg	581kg	448kg	431kg
2850kg	2867kg	2850kg	2867kg
9kg		9kg	
Three		Three	
2.08m x 1.36m / 6'10" x 4'6"			
1.84m x 0.92m / 6'0" x 3'0"			
1.96m x 0.75m / 6'5" x 2'6"			
1.93m x 0.73m / 6'4" x 2'5"			
2.08m x 1.37m / 6'10" x 4'6"			

## Capacities

### Water Tank Capacities

	Fresh Water Tank	Waste Water Tank	Water Heater
Escape	65 litre	68 litre	10 litre

### Gas Capacities

	Capacity
Escape	2 x 6kg CalorLite

The above are recommended gas bottle sizes

**NOTICE : For technical data on the base vehicle please refer to manufacturer's handbook**

## Towing Capabilities

### Escape Towing Capabilities

Model	Engine / Chassis	MTPLM	Permissible Front Axle Load	Permissible Rear Axle Load	Recommended Maximum Trailer Weight	Gross Train Weight
Escape 624	130 MJT (2.3L) / MWB	3300kg	1750kg	1900kg	1600kg*	4900kg
Escape 624	130 MJT (2.3L) / MWB Auto	3300kg	1750kg	1900kg	1600kg*	4900kg
Escape 644	130 MJT (2.3L) / MWB Auto	3300kg	1750kg	1900kg	1600kg*	4900kg
Escape 644	130 MJT (2.3L) / MWB Auto	3300kg	1750kg	1900kg	1600kg*	4900kg
Escape 662	130 MJT (2.3L) / MLWB	3500kg	1850kg	2000kg	1600kg	5100kg
Escape 662	130 MJT (2.3L) / MLWB Auto	3500kg	1850kg	2000kg	1600kg	5100kg
Escape 662	130 MJT (2.3L) / MLWB	3650kg	1850kg	2000kg	1600kg	5250kg
Escape 662	130 MJT (2.3L) / MLWB Auto	3650kg	1850kg	2000kg	1600kg	5250kg
Escape 664	130 MJT (2.3L) / MLWB	3500kg	1850kg	2000kg	1600kg	5100kg
Escape 664	130 MJT (2.3L) / MLWB Auto	3500kg	1850kg	2000kg	1600kg	5100kg
Escape 664	130 MJT (2.3L) / MLWB	3650kg	1850kg	2000kg	1600kg	5250kg
Escape 664	130 MJT (2.3L) / MLWB Auto	3650kg	1850kg	2000kg	1600kg	5250kg
Escape 686 (6 persons)	130 MJT (2.3L) / LWB	3650kg	1850kg	2000kg	1600kg	5250kg
Escape 686 (6 persons)	130 MJT (2.3L) / LWB Auto	3650kg	1850kg	2000kg	1600kg*	5250kg
Escape 686 (5 persons)	130 MJT (2.3L) / LWB	3500kg	1850kg	2000kg	1600kg*	5100kg
Escape 686 (5 persons)	130 MJT (2.3L) / LWB Auto	3500kg	1850kg	2000kg	1600kg*	5100kg
Escape 696 (6 persons)	130 MJT (2.3L) / LWB	3650kg	1850kg	2000kg	1600kg	5250kg
Escape 696 (6 persons)	130 MJT (2.3L) / LWB Auto	3650kg	1850kg	2000kg	1600kg*	5250kg
Escape 696 (5 persons)	130 MJT (2.3L) / LWB	3500kg	1850kg	2000kg	1600kg*	5100kg
Escape 696 (5 persons)	130 MJT (2.3L) / LWB Auto	3500kg	1850kg	2000kg	1600kg*	5100kg

Please note that the additional weight of the tow bar and trailer nose weight increases the rear axle loading of the motor home so care should be taken that the rear axle load is not exceeded when towing.

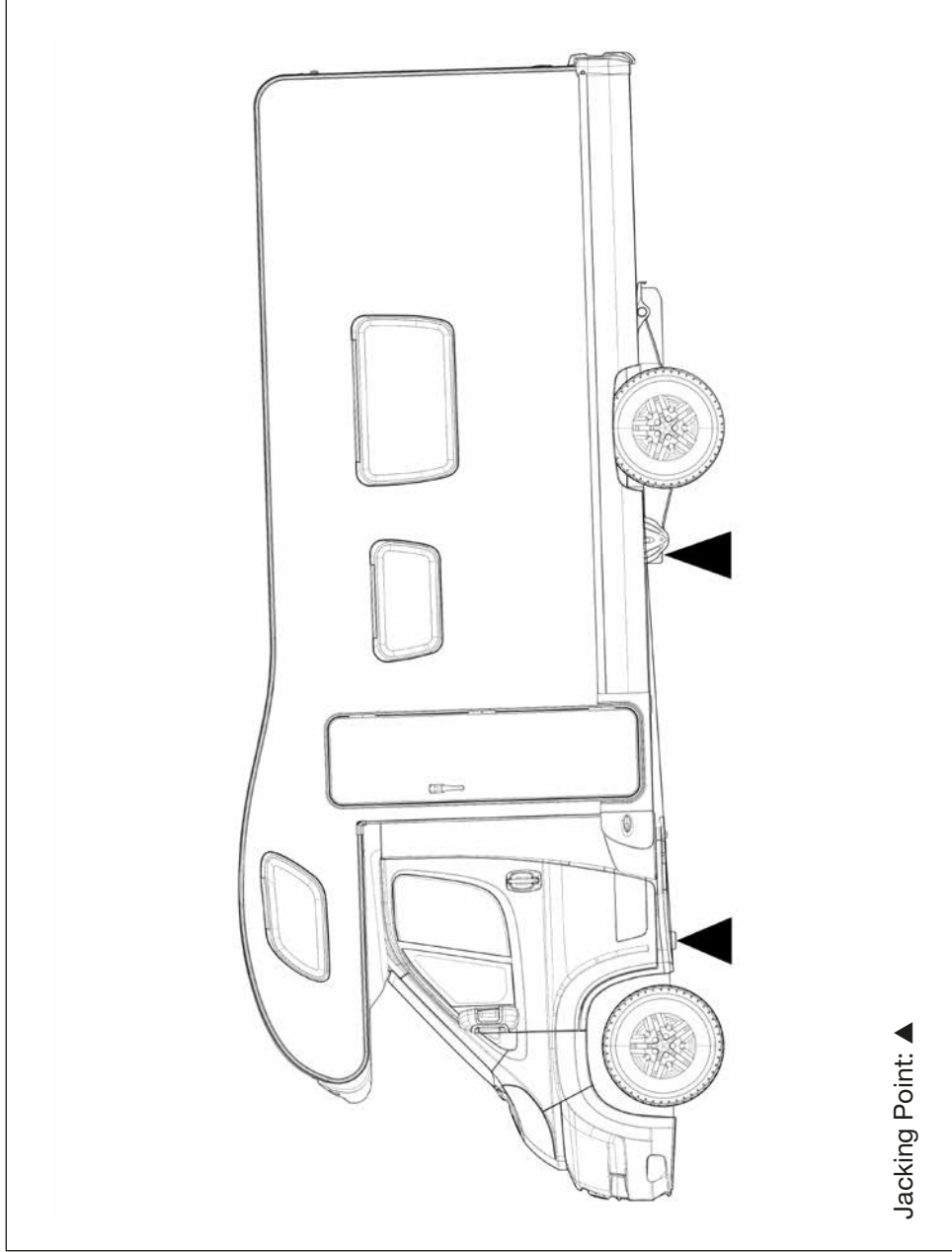
\* With this vehicle configuration it will be necessary to reduce the payload carried inside the van when towing to ensure that the MTPLM and maximum axle loads are not exceeded.

To ensure adequate road holding, the load on the front axle, under all conditions, must not be less than 40% or more than 70% of the total weight.

Care must be taken when distributing loads. The loadings and weights above are maximums and must not be exceeded under any circumstances.

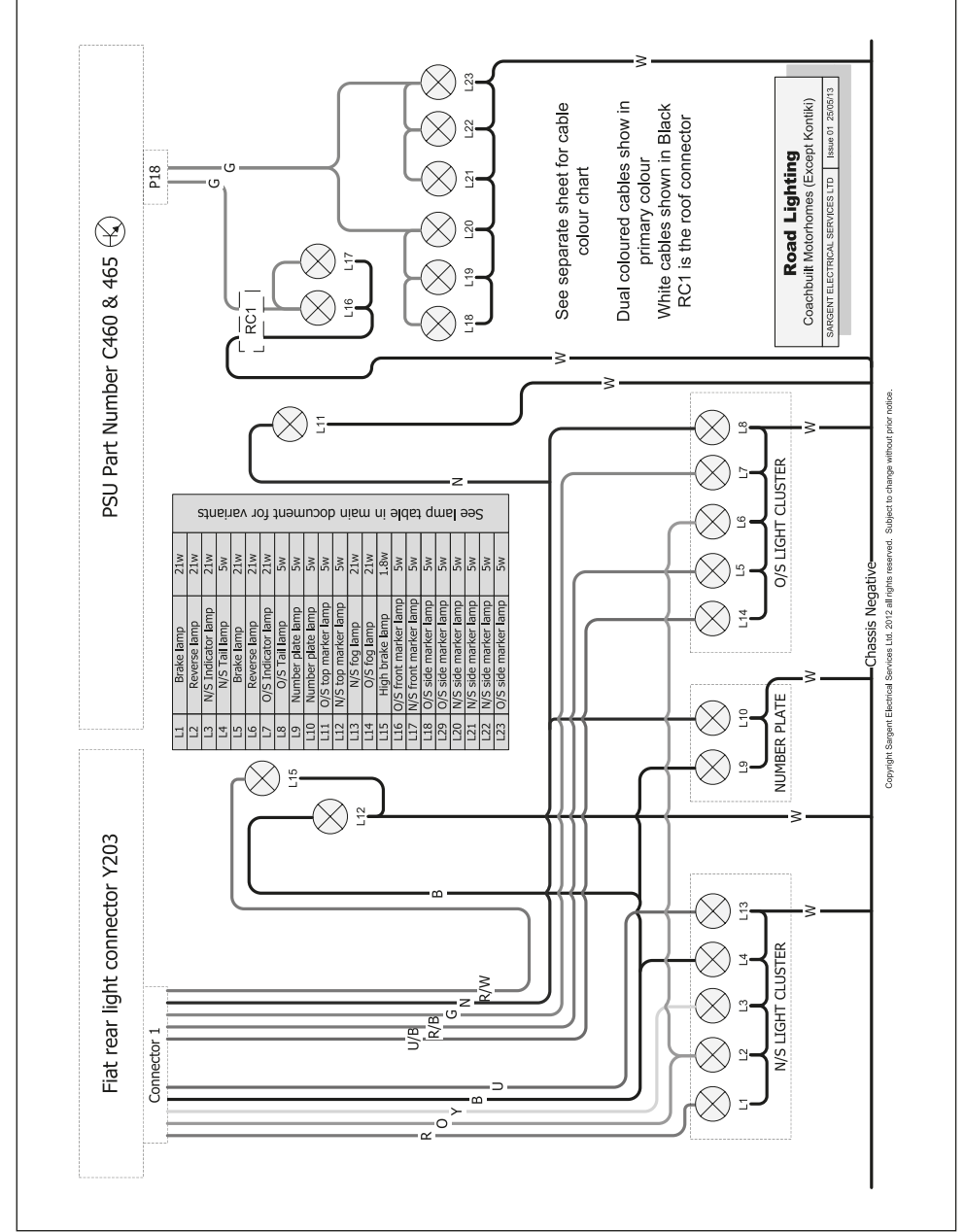
**CAUTION: When fitting a towbar, it must meet certain minimum requirements as specified by Type Approval Regulations. The bar will have marked on it the approval standard (94/20/EC or 55RECE) and the maximum download, or noseweight, that it can accept. It must fit the manufacturer's approved mounting points and must not obscure the towing vehicle's number plate.**

## SWIFT ESCAPE



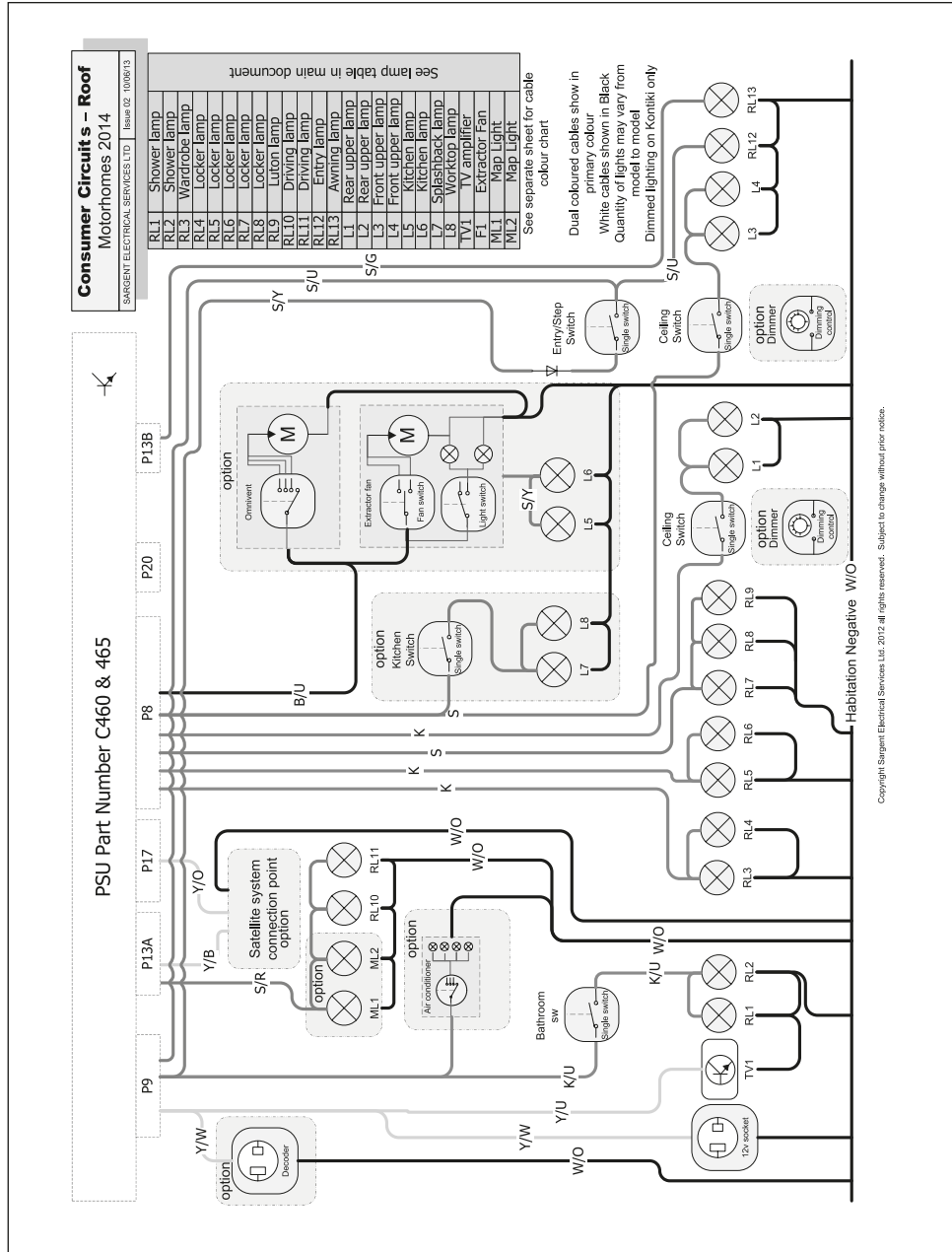
Jacking Point: ▲

## Escape - Road lighting circuits

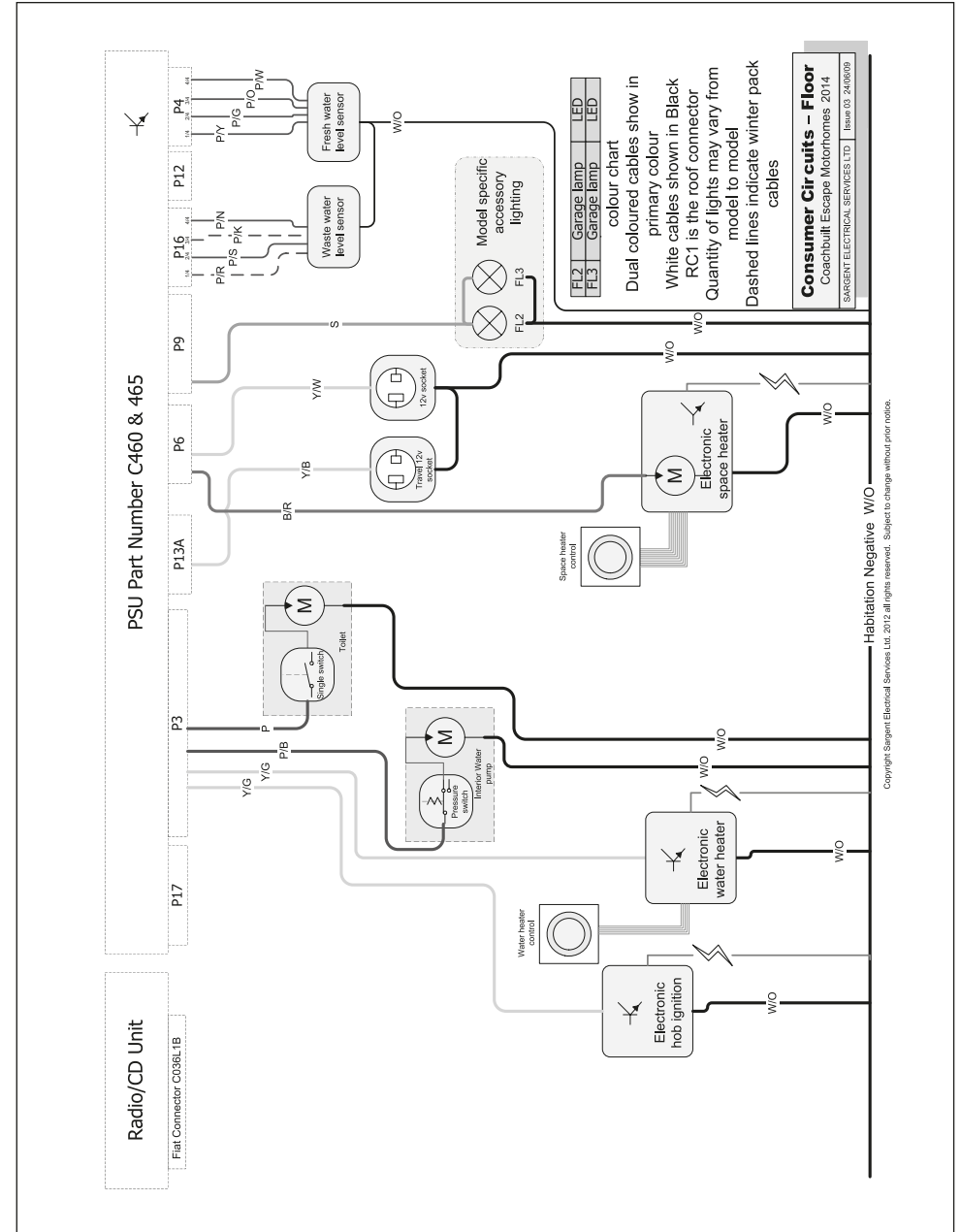


Copyright Sergent Electrical Services Ltd. 2013. All rights reserved. Subject to change without prior notice.

## Escape - Roof lighting circuits

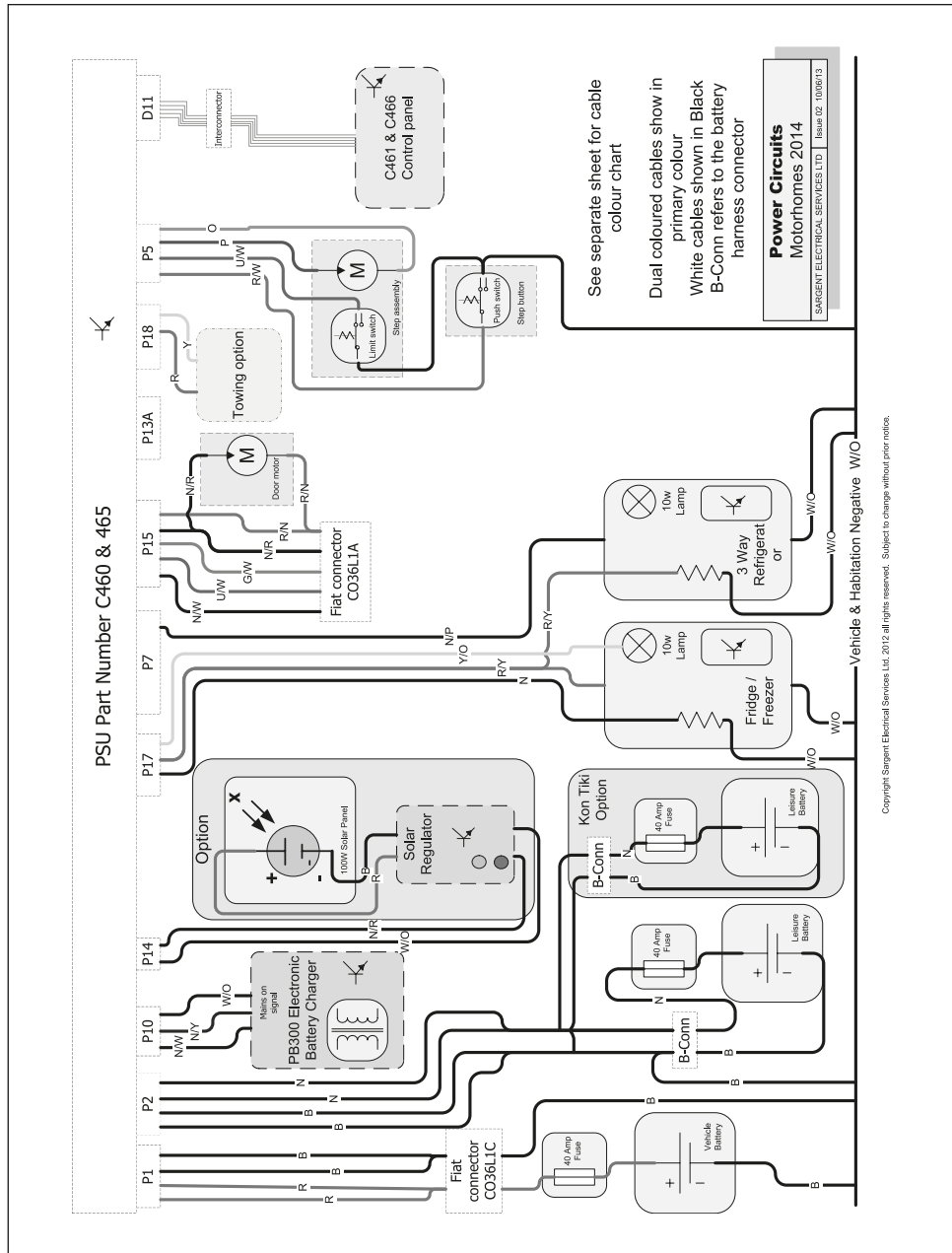


## Escape - Consumer Circuits - Floor circuits

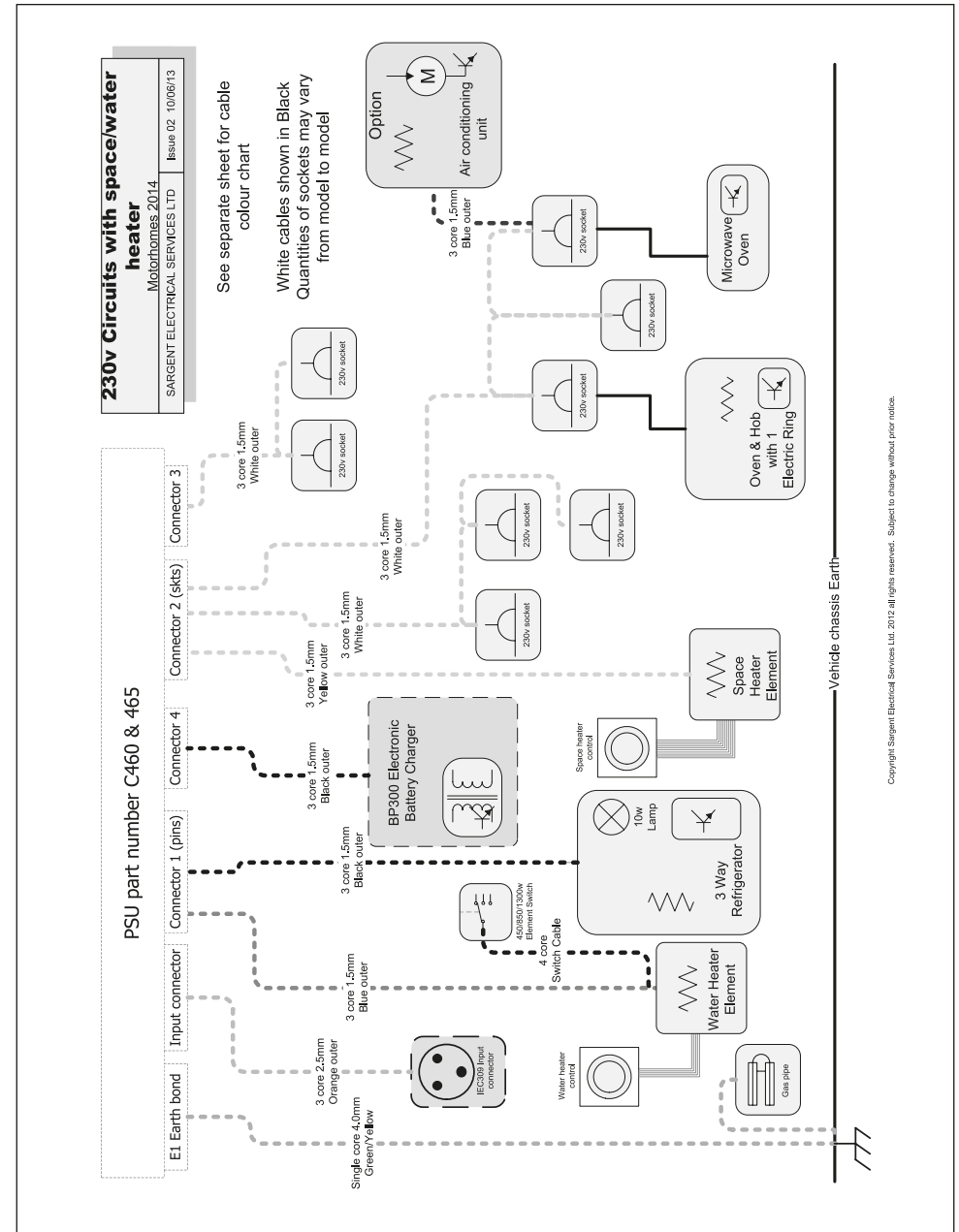





## Escape - Power circuits



## Escape - 230V



## Escape - Cable Colour Chart



**Y/U** Yellow cable with Blue stripe

Example

**Cable Colour Chart**  
Swift Group

SARGENT ELECTRICAL SERVICES LTD Issue 01 01/09/08

12v Cable Colours	
B	BLACK
N	BROWN
R	RED
O	ORANGE
Y	YELLOW
G	GREEN
U	BLUE
P	PURPLE
S	SLATE GREY
W	WHITE
K	PINK

230v Cable Colours	
B	BLACK
N	BROWN
W	WHITE
O	ORANGE
Y	YELLOW
G	GREEN
U	BLUE

Copyright Sargent Electrical Services Ltd. 2012. All rights reserved. Subject to change without prior notice.

Road Lights		
Application	Bulb Reference	Bulb Rating
Front marker light	LED complete lamp	12v < 1w
Front marker light	W5W	12v 5w
Side marker light	W5W	12v 5w
Rear high level marker light	C5W	12v 5w
High level stop lamp	T5/13.5	12v 2.3w
Rear indicator lamp	P21	12v 21w
Rear stop / Tail lamp	P21/5W	12v 21w/5w
Rear reverse lamp	P21	12v 21w
Rear fog lamp	P21	12v 21w
Number plate light	C5W	12v 5w
Interior / Other		
Application		
Locker downlights	GU4/MR11 Dichroic bulb	GU4 12v 10w
Ceiling lights, twin bulb	Halogen capsule bulb	G4 12v 10w
Ceiling lights, single bulb	Halogen capsule bulb	G4 12v 10w
Luton Lamp	Halogen capsule bulb	G4 12v 10w
China locker lamp	300mm Fluorescent bulb	12v 8w
Bunk reading lamp	Halogen capsule bulb	G4 12v 5w
Awning lamp	FEM0993 LED complete unit	12v 2.2w LED

Note: Not all lights feature on all models within a range

## Replacement instructions

### ESCAPE ROAD LIGHTING, COACH-BUILT BODY MOUNTED LAMPS

#### STOP / TAIL, INDICATOR, FOG AND REVERSE LAMPS

- Bulb access is from front / via lens of each lamp
- Remove 2x screws from each light lens and withdraw lens
- Bulbs are a bayonet fitting – apply slight pressure on bulb towards light fitting, and twist to release
- Reverse procedure to re-fit bulb and lens.
- Take care when replacing stop/tail lamp bulb, that orientation of bulb is correct - to check, brake light operation should be brighter than tail lamp operation.

#### UPPER REAR SIDE POSITION LAMPS (RED / CLEAR LENS)

- Lens is removed from base to access bulb
- Carefully insert small flat bladed screwdriver into recess in lower edge of lamp base. Apply pressure to release locking barb.

- Lift lens upwards and away from lamp base, lower edge first
- Lever bulb out of retaining clips
- Reverse procedure to re-fit bulb and lens

#### HIGH LEVEL BRAKE LAMP

- Remove 2x screws at either end of lamp, and withdraw lamp away from cowl
- Harness connects via a connector with retention barb into the rear of the lamp. With finger pressure or using a small screwdriver release the barb by pushing it toward the harness, and unplug the harness from the lamp
- Push fit connector back into replacement lamp, and secure lamp to motorhome body with 2x screws
- Lamp retaining screws are fixed into a rubber sleeve with a threaded insert, often known as a rawlnut. If lamp has been removed / re-fitted several times the rubber sleeve may need replacing, these are available through your dealer

#### SIDE MARKER / POSITION LAMPS

- Bulb access is from rear of lamp
- Check first within motorhome if rear of lamp is visible
- If rear of lamp is visible:
  - Harness plugs into bulb holder - twist bulb holder relative to lamp body to release bulb holder from lamp body
  - Bulbs are push fit into bulb holder - pull bulb directly away from holder to release
  - Reverse procedure to replace bulb in holder, holder in lamp and lamp onto motorhome body
- If rear of lamp is not visible:
  - Remove 2x screws from light fitting, and withdraw whole fitting from motorhome body
  - Harness plugs into bulb holder - twist bulb holder relative to lamp body to release bulb holder from lamp body
  - Bulbs are push fit into bulb holder - pull bulb directly away from holder to release
  - Reverse procedure to replace bulb in holder, holder in lamp and lamp onto motorhome body

#### FRONT HIGH LEVEL MARKER / POSITION LAMPS (RECTANGULAR LENS)

- These lamps are LED and have no user serviceable parts inside.
- Replacements should be undertaken by your dealer, as the lamps are sealed onto the mounting panel.

#### FRONT HIGH LEVEL MARKER / POSITION LAMPS (OVAL LENS)

- Bulb access is from rear of lamp
- Remove 2x screws from light fitting, and withdraw whole fitting from motorhome body
- Harness plugs into bulb holder - twist bulb holder relative to lamp body to release bulb holder from lamp body
- Bulbs are push fit into bulb holder - pull bulb directly away from holder to release
- Reverse procedure to replace bulb in holder, holder in lamp and lamp onto motorhome body

