



SPRITE
BY SWIFT

Swift Group
Dunswell Road
Cottingham
East Yorkshire HU16 4JX
Tel **01482 875740**
Fax **01482 840082**
email enquiry@swiftgroup.co.uk

For more information visit
www.swiftgroup.co.uk

Issued July 2014



Sprite

Technical Handbook



subject to terms and conditions



Sprite Specifications 2

Wiring Diagrams 4

Bulb Chart 11

Bulb Replacement..... 12

Specification

Sprite	Alpine 2	Alpine 4	Major 4 SB
Berths	2	4	4
Axles	1	1	1
Internal Length (bed box height)	4.34m/14'3"	4.74m/15'7"	5.83m/19'2"
Overall Width**	2.23m/7'4"	2.23m/7'4"	2.23m/7'4"
Overall Height (inc. TV Aerial)**	2.64m/8'8"	2.64m/8'8"	2.65m/8'8"
Maximum Internal Headroom	1.95m/6'5"	1.95m/6'5"	1.95m/6'5"
Overall Length**	5.99m/19'8"	6.39m/21'0"	7.48m/24'6"
Awning A/A dimension	8.73m/28'8"	9.14m/30'0"	10.22m/33'6"
Mass in Running Order (inc. tolerance)	1005kg/19.8cwt	1044kg/20.6cwt	1184kg/23.3cwt*
Maximum Technical Permissible Laden Mass (Lower limit)	1171kg/23.0cwt	1234kg/24.3cwt	1385kg/27.3cwt*
Maximum Technical Permissible Laden Mass (Upper limit)	1200kg/23.6cwt	1250kg/24.6cwt	1500kg/29.5cwt
Total user Payload	166kg/3.3cwt	190kg/3.7cwt	201kg/4.0cwt
Personal Effects	121kg/2.4cwt	145kg/2.9cwt	156kg/3.1cwt
Options	45kg/0.9cwt	45kg/0.9cwt	45kg/0.9cwt
Tyre Size	185 R14C 102Q	185 R14C 102Q	185 R14C 102Q
Tyre pressure at Lower limit MTPLM	3.2 bar / 46 psi	3.4 bar / 49 psi	4.0 bar / 58 psi
Tyre pressure at Upper limit MTPLM	3.3 bar / 48 psi	3.5 bar / 51 psi	4.4 bar / 64 psi
Static Load on Coupling Head	100kg	100kg	100kg
Thermal Insulation Grade	THREE	THREE	THREE
Bed Sizes			
Front Double	202cm x 180cm/6'8" x 5'11"	202cm x 128cm/6'8" x 4'2"	202cm x 159cm/6'8" x 5'3"
or Front Nearside Single	190cm x 72cm/6'3" x 2'4"		159cm x 72cm/5'3" x 2'4"
and Front Offside Single	180cm x 72cm/5'11" x 2'4"		159cm x 72cm/5'3" x 2'4"
Rear Double		189cm x 132cm/6'2" x 4'4"	185cm x 133cm/6'1" x 4'4"
Rear Bunk			
Rear Single			
Side Single (offside)			
Side Single (nearside)			
Side Bunk (offside)			
Side Bunk (nearside)			
Rear Fixed Lower Bunk			
Rear Fixed Mid Bunk			
Rear Fixed Upper Bunk			
Side Fixed Lower Bunk			
Side Fixed Mid Bunk			
Side Fixed Upper Bunk			

Weights: The method of calculating the Mass in Running Order (MRO) and user payload figures has changed in order to bring it in line with European Vehicle Directives.

Allowances for essential equipment (e.g. gas cylinders) previously allowed for in the user payload are now contained within the MRO. A provision for a leisure battery which used to be within the essential

equipment payload has now been included within the personal effects payload allowance.

Although the method of calculation has changed, the overall effect is that the amount of payload available to the customer has remained the same, it is just calculated in a different manner.

Bed Sizes : Please note that the front double bed sizes quoted are for seating configurations without chest of drawers. The front double bed width for a layout with a chest of drawers fitted will be reduced by 0.4m(1'4") from that stated.

Major 4 FB	Major 6	Major 6 TD	Quattro EW	Quattro FB
4	6	6	6	6
1	1	1	2	2
5.29m/17'4"	5.60m/18'4"	5.83m/19'2"	6.27m/20'7"	6.27m/20'7"
2.23m/7'4"	2.23m/7'4"	2.23m/7'4"	2.23m/7'4"	2.23m/7'4"
2.65m/8'8"	2.65m/8'8"	2.65m/8'8"	2.62m/8'7"	2.62m/8'7"
1.95m/6'5"	1.95m/6'5"	1.95m/6'5"	1.95m/6'5"	1.95m/6'5"
6.93m/22'9"	7.25m/23'9"	7.48m/24'6"	7.92m/26'0"	7.92m/26'0"
9.68m/31'9"	9.99m/32'9"	10.22m/33'6"	10.66m/35'0"	10.66m/35'0"
1129kg/22.2cwt	1217kg/24.0cwt	1259kg/24.8cwt	1348kg/26.5cwt	1348kg/26.5cwt
1324kg/26.1cwt	1435kg/28.2cwt	1480kg/29.1cwt	1600kg/31.5cwt	1600kg/31.5cwt
1350kg/26.6cwt	1500kg/29.5cwt	1500kg/29.5cwt	1600kg/31.5cwt	1600kg/31.5cwt
195kg/3.8cwt	218kg/4.3cwt	221kg/4.4cwt	252kg/5.0cwt	252kg/5.0cwt
150kg/3.0cwt	173kg/3.4cwt	176kg/3.5cwt	180kg/3.5cwt	180kg/3.5cwt
45kg/0.9cwt	45kg/0.9cwt	45kg/0.9cwt	45kg/0.9cwt	45kg/0.9cwt
185 R14C 102Q	185 R14C 102Q	185 R14C 102Q	185/70 R14 88T	185/70 R14 88T
3.8 bar / 55 psi	4.1bar / 59 psi	4.3 bar / 62 psi	1.9 bar / 28 psi	1.9 bar / 28 psi
3.8 bar / 55 psi	4.4 bar / 64 psi	4.4 bar / 64 psi	1.9 bar / 28 psi	1.9 bar / 28 psi
100kg	100kg	100kg	100kg	100kg
THREE	THREE	THREE	THREE	THREE
202cm x 142cm/6'8" x 4'8"	202cm x 170cm/6'8" x 5'7"	202cm x 180cm/6'8" x 5'11"	206cm x 134cm/6'9" x 4'5"	202cm x 180cm/6'8" x 5'11"
		190cm x 72cm/6'3" x 2'4"		180cm x 72cm/5'11" x 2'4"
		180cm x 72cm/5'11" x 2'4"		190cm x 72cm/6'3" x 2'4"
192cm x 132cm/6'4" x 4'4"			194cm x 132cm/6'4" x 4'4"	192cm x 132cm/6'4" x 4'4"
	180cm x 83cm/5'11" x 2'9"		180cm x 62cm/5'11" x 2'0"	180cm x 62cm/5'11" x 2'0"
		180cm x 67cm/5'11" x 2'2"		
	176cm x 59cm/5'9" x 1'11"		176cm x 59cm/5'9" x 1'11"	176cm x 59cm/5'9" x 1'11"
		176cm x 59cm/5'9" x 1'11"		
	183cm x 57cm/6'0" x 1'10"	183cm x 57cm/6'0" x 1'10"		
	183cm x 57cm/6'0" x 1'10"	183cm x 57cm/6'0" x 1'10"		

Awning sizes: Due to varying awning designs and sizes the awning sizes given are approximate only. Specific awning sizes must be confirmed by your dealer or awning manufacturer prior to purchase.

*Estimated weight

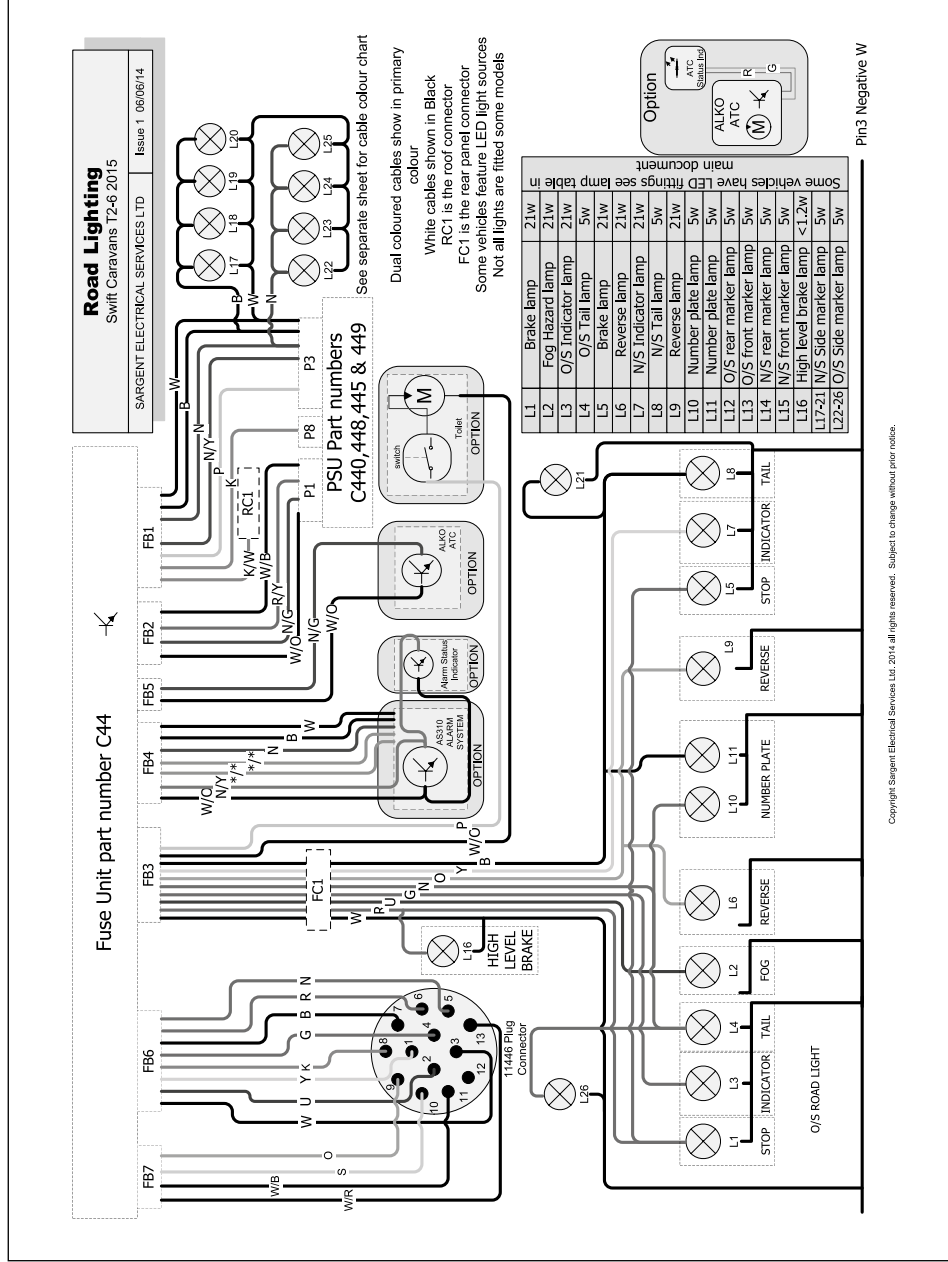
** The dimensions given are approximate due to slight variations in suspension ride heights, loading conditions and tyre pressures.

Customers should verify the actual dimensions of their touring caravan before committing to anything that could be impacted by these dimensions

Please note: Any dealer fit options will reduce the overall payload available to the user of the caravan.

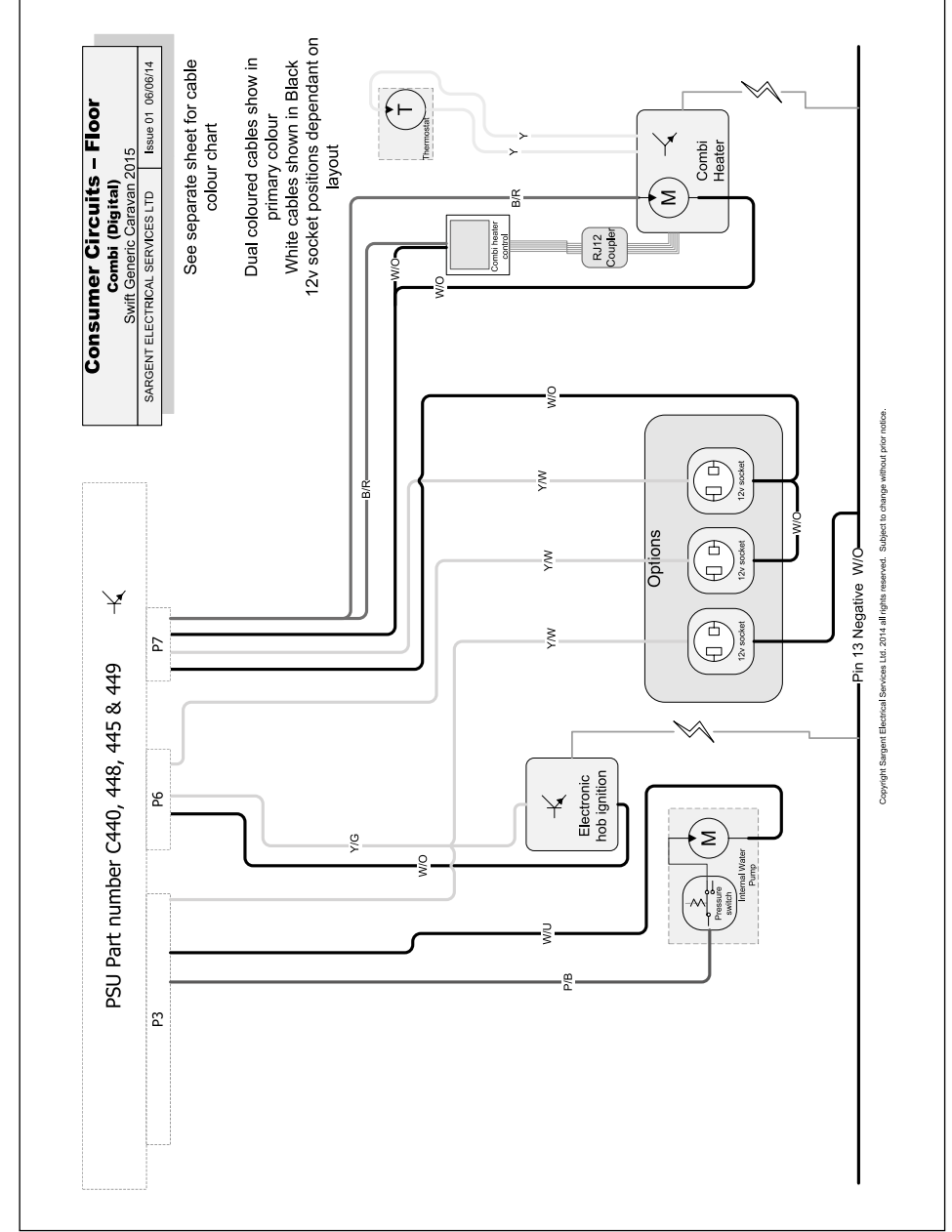
If you require additional payload it is possible to upgrade the MTPLM to the upper limit. Please contact your Sprite caravan dealer for more information.

Sprite - Road lighting circuits



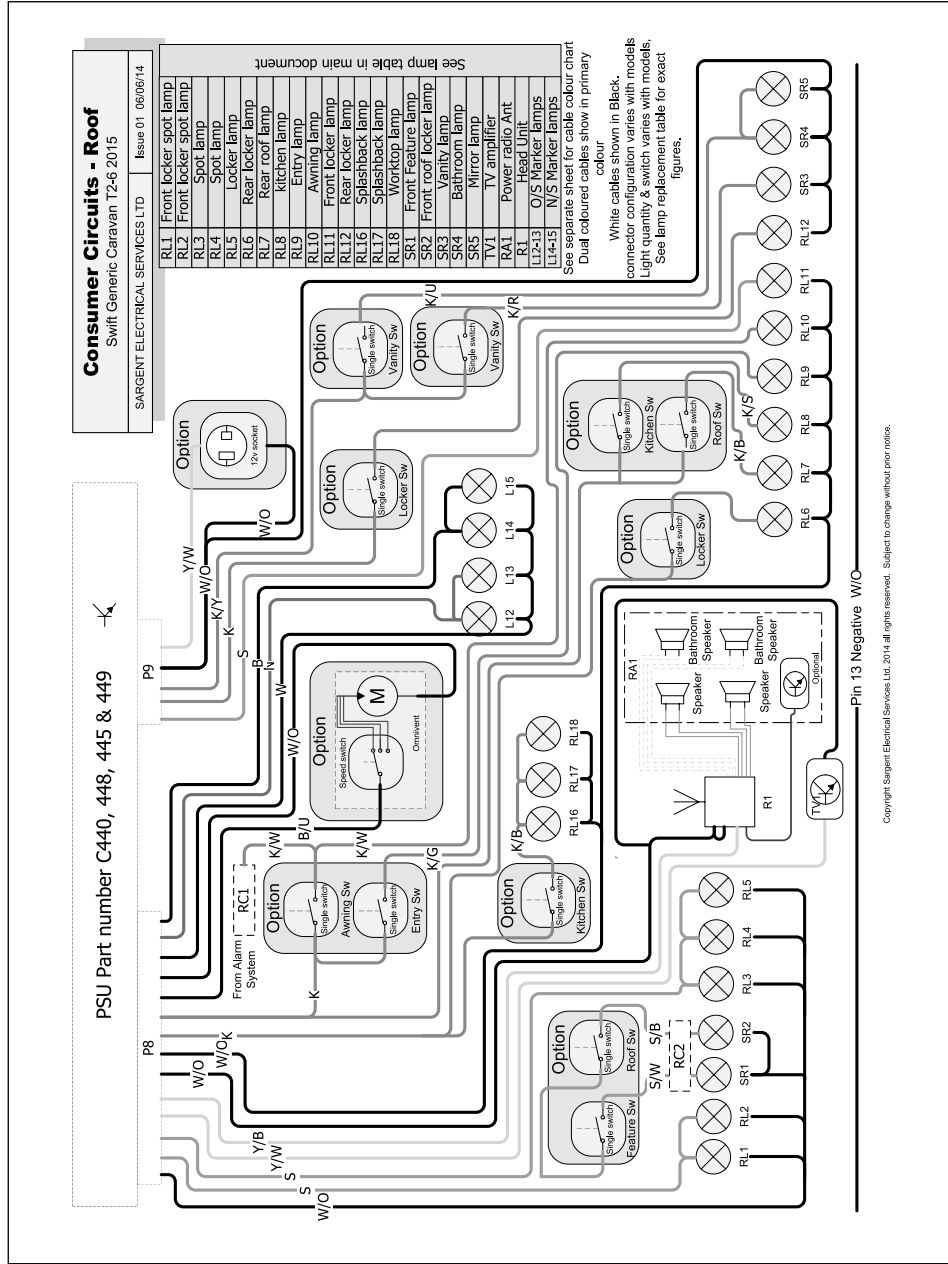
Copyright Sargent Electrical Services Ltd. 2014 all rights reserved. Subject to change without prior notice.

Sprite - Consumer Circuits - Floor

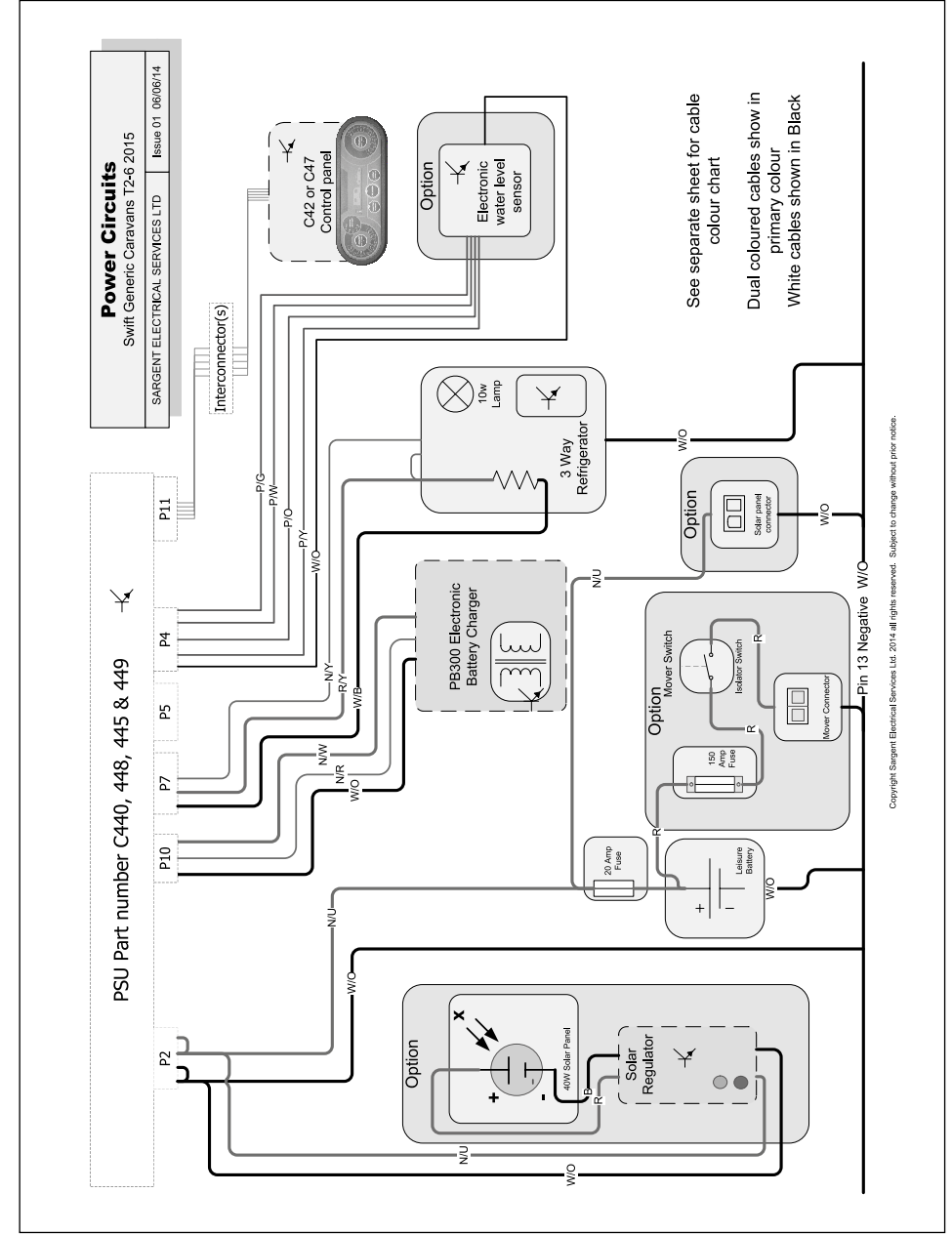


Copyright Sargent Electrical Services Ltd. 2014 all rights reserved. Subject to change without prior notice.

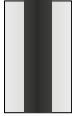
Sprite - Roof circuits



Sprite - Power circuits



Sprite - Cable colour chart



Y/U

Yellow cable with Blue stripe

Example

Cable Colour Chart

Swift range

SARGENT ELECTRICAL SERVICES LTD

Issue 06/07/10

12v Cable Colours	
B	BLACK
N	BROWN
R	RED
O	ORANGE
Y	YELLOW
G	GREEN
U	BLUE
P	PURPLE
S	SLATE GREY
W	WHITE
K	PINK

230v Cable Colours	
B	BLACK
N	BROWN
W	WHITE
O	ORANGE
Y	YELLOW
G	GREEN
U	BLUE

Copyright Sargent Electrical Services Ltd. 2011. All rights reserved. Subject to change without prior notice.

Road Lights	Bulb type	Bulb rating
Front marker lights	W5W	12v 5W
Side marker - Low Level	W5W	12v 5W
Side marker - High Level	R5W	12v 5W
Reversing light	P21	12v 21W
Rear indicator light	P21	12v 21W
Brake / tail light	P21/5W	12v 21W/5W
Fog light	P21	12v 21W
Number plate light	C5W	12v 5W
Interior / Other Lights	Bulb type	Bulb rating
Awning lamp, LED	LED complete unit FEM0945	12v LED
Awning lamp, LED with alarm indicator	LED complete unit FEM1225-W	12v LED
Ceiling light, halogen (living area)	Halogen capsule bulb	12v 10w
Ceiling light, halogen (White, shower area)	Halogen capsule bulb	12v 10w
Forward ceiling LED strip light	LED strip FEM0937A	12v LED
Kitchen light	Cold Cathode complete unit	12v 4.8w
Locker spotlights	LED Complete unit FEM0854	12v LED
Downlights, small format	LED Complete unit FEM1189	12v LED
Illuminated panel or mirror backlight	FEM-1214 flexible LED light strip (cut to length)	12v LED
Bunk light	LED Complete unit SCS-KIM2	12v LED

Note: Not all lights and bulbs feature on all models within a range

Bulb replacement

SPRITE ROAD LIGHT BULB ACCESS

STOP / TAIL / INDICATOR AND REVERSE LAMPS

Bulb access is from front / via lense of each lamp.

Remove 2x screws from each light lense and withdraw lense.

Bulbs are a bayonet fitting – apply slight pressure on bulb towards light fitting, and twist to release.

Reverse procedure to re-fit bulb and lense.

Take care when replacing stop/tail lamp bulb, that orientation of bulb is correct – to check, brake light operation should be brighter than tail lamp operation.

REAR CENTRAL FOG LIGHT

Bulb access is from front / via lense of lamp.

Remove 2x screws from light lense and withdraw lense.

Bulb is a bayonet fitting – apply slight pressure on bulb towards light fitting, and twist to release.

Reverse procedure to re-fit bulb and lense.

UPPER REAR SIDE POSITION LAMPS (RED / CLEAR LENSE)

Lense is removed from base to access bulb.

Carefully insert small flat bladed screwdriver into recess in lower edge of lamp base. Apply pressure to release locking barb.

Lift lense upwards and away from lamp base, lower edge first.

Lever bulb out of retaining clips.

Reverse procedure to re-fit bulb and lense.

NUMBER PLATE LAMPS

Bulb access is from the front / via lense of each lamp.

Remove the two screws in the lense of the lamp.

Lever the bulb out of retaining clips.

Reverse the procedure to re-fit a new bulb and the light lense.

FRONT MARKER POSITION LAMPS

Bulb access is from rear of lamp.

Remove 2x screws from light fitting, and withdraw whole fitting from caravan front panel.

Harness plugs into bulb holder – Twist bulb holder relative to lamp body to release bulb holder from lamp body.

Bulbs are push fit into bulb holder – pull bulb directly away from holder to release.

Reverse procedure to replace bulb in holder, holder in lamp and lamp onto caravan body.

SIDE MARKER POSITION LAMPS

Bulb access is from rear of lamp. First check from within caravan if the rear of the lamp is accessible:

If rear of light is accessible:

Harness plugs into bulb holder – Twist bulb holder relative to lamp body to release bulb holder from lamp body.

Bulbs are push fit into bulb holder – pull bulb directly away from holder to release.

Reverse procedure to replace bulb in holder and holder in lamp.

If rear of light is not accessible:

Remove 2x screws from light fitting, and withdraw whole fitting from caravan body.

Harness plugs into bulb holder – Twist bulb holder relative to lamp body to release bulb holder from lamp body.

Bulbs are push fit into bulb holder – pull bulb directly away from holder to release.

Reverse procedure to replace bulb in holder, holder in lamp and lamp onto caravan body.