



Swift Group, Dunswell Road, Cottingham,
East Yorkshire HU16 4JS.
Tel: 01482 875740 Fax: 01482 840082
email: enquiry@swiftgroup.co.uk
www.swiftgroup.co.uk

1091963
Issued February 2011



Sundance / E400 Series / Star Range

Specification, wiring diagrams and bulb chart





CONTENTS

Standard Specifications	2
Optional Specifications	3
Capacities	4
Towing Capabilities	5
Jacking	6
Wiring Diagrams	7
Bulb Replacement	13

Standard Specifications

Model	Sundance 530LP / E410 / Starfire	Sundance 580PR / E460 / Starspirit	Sundance 590RS / E435	Sundance 620FB / E450 / Starstream	Sundance 630G / E480	Sundance 630L / E495
Roof Profile	Low Line	Low Line	High Line	Low Line	Low Line	Low Line
Engine	'100 MultiJet' diesel	'100 MultiJet' diesel	Fiat '100 MultiJet' diesel	'100 MultiJet' diesel	Fiat '130 MultiJet' diesel	Fiat '130 MultiJet' diesel
Engine Capacity	2198cc	2198cc	2198cc	2198cc	2287cc	2287cc
Engine Power	100bhp @ 2900rpm	100bhp @ 2900rpm	100bhp @ 2900rpm	100bhp @ 2900rpm	130bhp @ 3600rpm	130bhp @ 3600rpm
Torque	250Nm @ 1500rpm	250Nm @ 1500rpm	250Nm @ 1500rpm	250Nm @ 1500rpm	320Nm @ 2000rpm	320Nm @ 2000rpm
Chassis	Fiat/Peugeot chassis cab	Fiat/Peugeot chassis cab	Fiat chassis cab	Fiat/Peugeot chassis cab	Fiat chassis cab	Fiat chassis cab
Wheel base	3.00m/9'10"	3.45m/11'4"	3.45m/11'4"	4.04m/13'3"	4.04m/13'3"	4.04m/13'3"
Designated Passenger Seats	1	1	3	1	1	5
Berths (sleeping positions)	2	2	5	4	4	6
Overall Length (no ladder)*	5.90m/19'4"	6.47m/21'3"	6.47m/21'3"	7.12m/23'4"	7.49m/24'7"	7.49m/24'7"
Overall Width (mirrors folded)	2.24m/7'4"	2.24m/7'4"	2.24m/7'4"	2.24m/7'4"	2.24m/7'4"	2.24m/7'4"
Overall Height	2.90m/9'6"	2.90m/9'6"	3.07m/10'1"	2.90m/9'6"	2.90m/9'6"	3.05m/10'0"
Maximum Technical Permissible Laden Mass (A)	3300kg	3500kg	3500kg	3500kg	4005kg	4005kg
Mass in Running Order (B)†	2878kg	2938kg	3050kg	3095kg	3304kg	3352kg
Maximum User Payload (A-B)	422kg	562kg	450kg	405kg	701kg	653kg
Unladen Weight	2622kg	2682kg	2794kg	2839kg	3048kg	3096kg
Essential Habitation Equipment	9kg	9kg	9kg	9kg	9kg	9kg
Thermal Insulation Grade	THREE	THREE	THREE	THREE	THREE	THREE
Bed Sizes						
Front Double	204cm x 132cm/6'8" x 4'4"		190cm x 123cm/6'3" x 4'0"	204cm x 132/114cm/6'8" x 4'4'/3'9"	204cm x 132/114cm/6'8" x 4'4'/3'9"	182cm x 123cm/6'0" x 4'0"
Front Nearside Single	187cm x 70cm/6'2" x 2'4"		187cm x 66cm/6'2" x 2'2"			
Front Offside Single	187cm x 70cm/6'2" x 2'4"		190cm x 92cm/6'3" x 3'0"			182cm x 92cm/6'0" x 3'0"
Rear Double		204cm x 177cm/6'8" x 5'10"		188cm x 125cm/6'2" x 4'1"	205cm x 138cm/6'9" x 4'6"	204cm x 134cm/6'8" x 4'5"
Rear Nearside Single		177cm x 66cm/5'10" x 2'2"				187cm x 66cm/6'2" x 2'2"
Rear Offside Single		187cm x 66cm/6'2" x 2'2"				187cm x 66cm/6'2" x 2'2"
Overcab Bed			191cm x 137cm/6'3" x 4'6"			191cm x 137cm/6'3" x 4'6"

- NOTE:**
- The **Maximum User Payload** includes:
 - the **conventional load** (this is the allowance for passengers)
 - essential habitation equipment** (items and fluids required for safe and proper functioning of habitation equipment)
 - optional equipment** (items available from the manufacturer over and above the standard specification)
 - personal effects** (those items not covered by the above)
 - The **Mass in Running Order** is the mass of the unladen vehicle including a 75kg allowance for the driver plus engine coolants and 90% of the fuel tank, water tank and gas capacity.
 - PLEASE TAKE CARE TO ENSURE THAT YOU HAVE ALLOWED FOR THE MASSES OF ALL ITEMS YOU INTEND TO CARRY IN THE MOTOR CARAVAN,**
e.g. passengers, optional equipment, essential habitation equipment and personal effects, such as clothing, food, pets, bicycles, sailboards, sports equipment etc.
 - WARNING - UNDER NO CIRCUMSTANCES SHOULD THE MAXIMUM TECHNICAL PERMISSIBLE LADEN MASS OF THIS MOTOR CARAVAN BE EXCEEDED.**
* For optional roof ladder (add 200mm).

Optional Specifications

Model	Sundance 580PR / E460 / Starspirit		Sundance 590RS / E435	Sundance 620FB / E450 / Starstream	
Roof Profile	Low Line		High Line	Low Line	
Engine	Fiat 130 MJ diesel	Peugeot 130 diesel	Fiat '130 MultiJet' diesel	Fiat 130 MJ diesel	Peugeot 130 diesel
Engine Capacity	2287cc	2198cc	2287cc	2287cc	2198cc
Engine Power	130bhp @ 3600rpm	130bhp @ 3000rpm	130bhp @ 3600rpm	130bhp @ 3600rpm	130bhp @ 3000rpm
Torque	320Nm @ 2000rpm	320Nm @ 2000rpm	320Nm @ 2000rpm	320Nm @ 2000rpm	320Nm @ 2000rpm
Chassis	Fiat chassis cab	Peugeot chassis cab	Fiat chassis cab	Fiat chassis cab	Peugeot chassis cab
Wheel base	3.45m/11'4"		3.45m/11'4"	4.04m/13'3"	
Designated Passenger Seats	1		3	1	
Berths (sleeping positions)	2		5	4	
Overall Length (no ladder)*	6.47m/21'3"		6.47m/21'3"	7.12m/23'4"	
Overall Width (mirrors folded)	2.24m/7'4"		2.24m/7'4"	2.24m/7'4"	
Overall Height	2.90m/9'6"		3.07m/10'1"	2.90m/9'6"	
Maximum Technical Permissible Laden Mass (A)	3500kg		3500kg	3500kg	
Mass in Running Order (B)†	2953kg		3065kg	3110kg	
Maximum User Payload (A-B)	547kg		435kg	390kg	
Unladen Weight	2697kg		2809kg	2854kg	
Essential Habitation Equipment	9kg		9kg	9kg	
Thermal Insulation Grade	THREE		THREE	THREE	
Bed Sizes					
Front Double			190cm x 123cm/6'3" x 4'0"	204cm x 132/114cm/6'8" x 4'4"/3'9"	
Front Nearside Single			187cm x 66cm/6'2" x 2'2"		
Front Offside Single			190cm x 92cm/6'3" x 3'0"		
Rear Double	204cm x 177cm/6'8" x 5'10"			188cm x 125cm/6'2" x 4'1"	
Rear Nearside Single	177cm x 66cm/5'10" x 2'2"				
Rear Offside Single	187cm x 66cm/6'2" x 2'2"				
Overcab Bed			191cm x 137cm/6'3" x 4'6"		

- NOTE:**
- The **Maximum User Payload** includes:
 - the **conventional load** (this is the allowance for passengers)
 - essential habitation equipment** (items and fluids required for safe and proper functioning of habitation equipment)
 - optional equipment** (items available from the manufacturer over and above the standard specification)
 - personal effects** (those items not covered by the above)
 - The **Mass in Running Order** is the mass of the unladen vehicle including a 75kg allowance for the driver plus engine coolants and 90% of the fuel tank, water tank and gas capacity.
 - PLEASE TAKE CARE TO ENSURE THAT YOU HAVE ALLOWED FOR THE MASSES OF ALL ITEMS YOU INTEND TO CARRY IN THE MOTOR CARAVAN,** e.g. passengers, optional equipment, essential habitation equipment and personal effects, such as clothing, food, pets, bicycles, sailboards, sports equipment etc.
 - WARNING - UNDER NO CIRCUMSTANCES SHOULD THE MAXIMUM TECHNICAL PERMISSIBLE LADEN MASS OF THIS MOTOR CARAVAN BE EXCEEDED.**
 - * For optional roof ladder (add 200mm).

Capacities

Water Tank Capacities

	Fresh Water Tank	Waste Water Tank	Water Heater	Toilet Tank (Flushing)
Sundance/E400/Star Range	90 litre	68 litre	10 litre	15 litre <small>(except Sundance 620FB / E450 / Starstream)</small>

Gas Capacities

	Capacity
Sundance/E400/Star Range	2 x 7kg

The above are recommended gas bottle sizes

NOTICE

For technical data on the base vehicle please refer to manufacturer's handbook

Sundance / E400 Series / Star Range Towing Capabilities

Model	Engine / Chassis	MTPLM	Permissible Front Axle Load	Permissible Rear Axle Load	Recommended Maximum Trailer Weight	Gross Train Weight
Sundance 530LP / E410 / Starfire	100 MJ (2.2L) /SWB / ABS	3300kg	1750kg	1900kg	1600kg	4900kg
Sundance 580PR / E460 / Starspirit	100 MJ (2.2L) /MWB / ABS	3500kg	1850kg	2000kg	1600kg	5100kg
Sundance 580PR / E460 / Starspirit	130MJ (2.3L) / MWB / ABS	3500kg	1850kg	2000kg	1600kg	5100kg
Sundance 590RS / E435*	100 MJ (2.2L) /MWB / ABS	3500kg	1850kg	2000kg	1600kg	5100kg
Sundance 590RS / E435*	130MJ (2.3L) / MWB / ABS	3500kg	1850kg	2000kg	1600kg	5100kg
Sundance 620FB / E450 / Starstream	100 MJ (2.2L) /LWB / ABS	3500kg	1850kg	2000kg	1600kg	5100kg
Sundance 620FB / E450 / Starstream	130MJ (2.3L) / LWB / ABS	3500kg	1850kg	2000kg	1600kg	5100kg
Sundance 630G / E480	130MJ (2.3L) / LWB / ABS	4005kg	2100kg	2400kg	1600kg	5605kg
Sundance 630L / E495	130MJ (2.3L) / LWB / ABS	4005kg	2100kg	2400kg	1600kg	5605kg

* Restricted to 100kph when towing

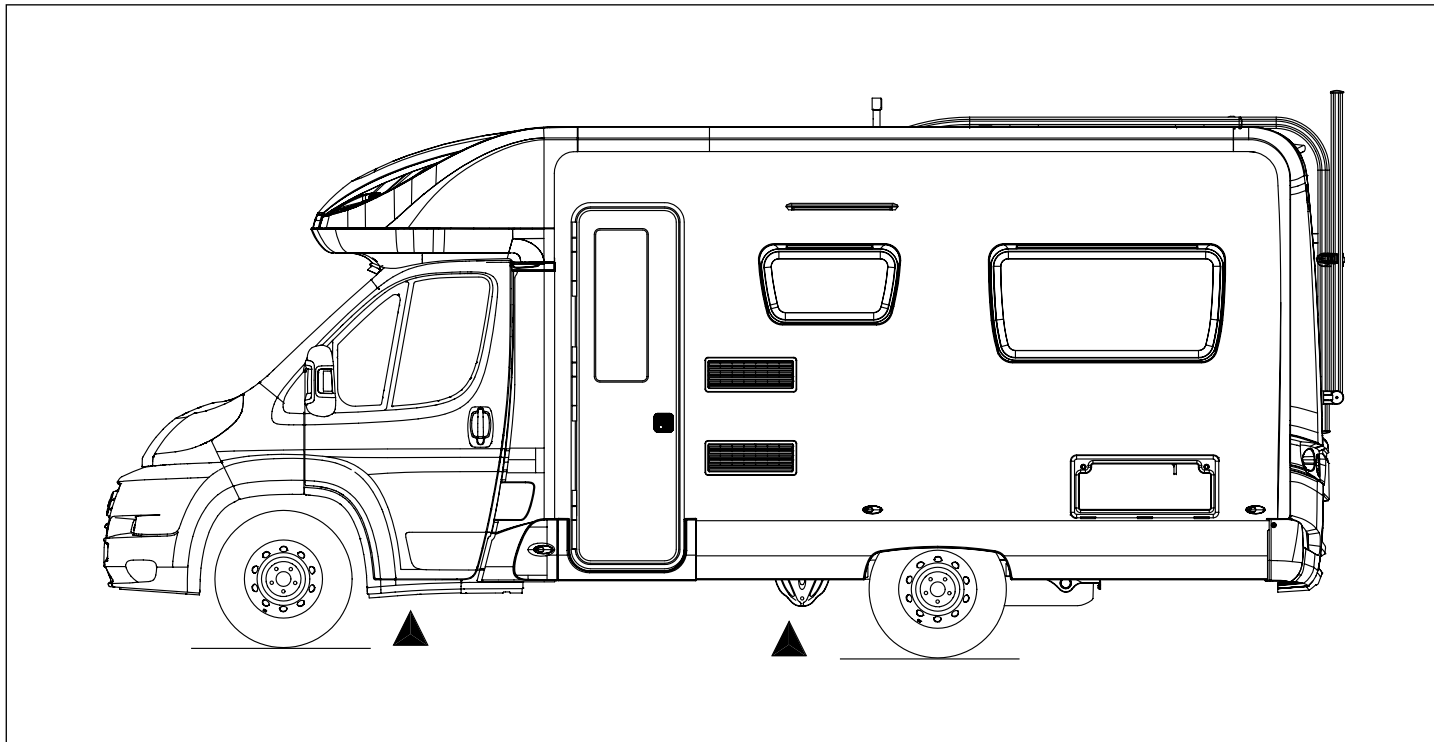
To ensure adequate road holding, the load on the front axle, under all conditions, must not be less than 40% or more than 70% of the total weight.

Care must be taken when distributing loads. The loadings and weights above are maximums and must not be exceeded under any circumstances.

CAUTION: When fitting a towbar, it must meet certain minimum requirements as specified by Type Approval Regulations. The bar will have marked on it the approval standard (94/20/EC) and the maximum download, or noseweight, that it can accept. It must fit the manufacturer's approved mounting points and must not obscure the towing vehicle's number plate.

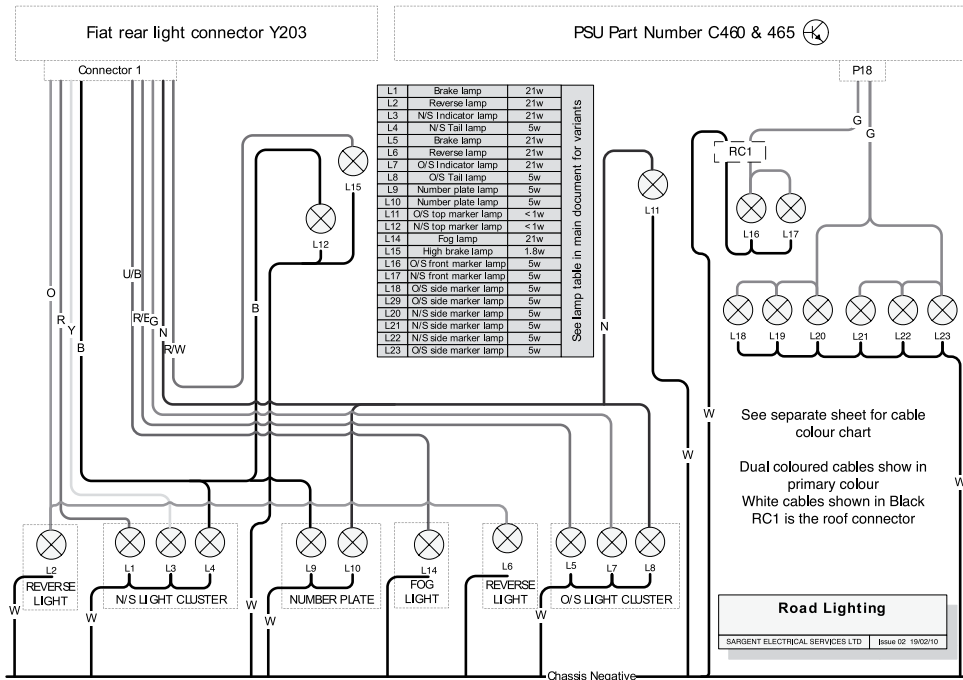
Jacking

SWIFT SUNDANCE / E400 SERIES / STAR RANGE



Jacking Point: ▲

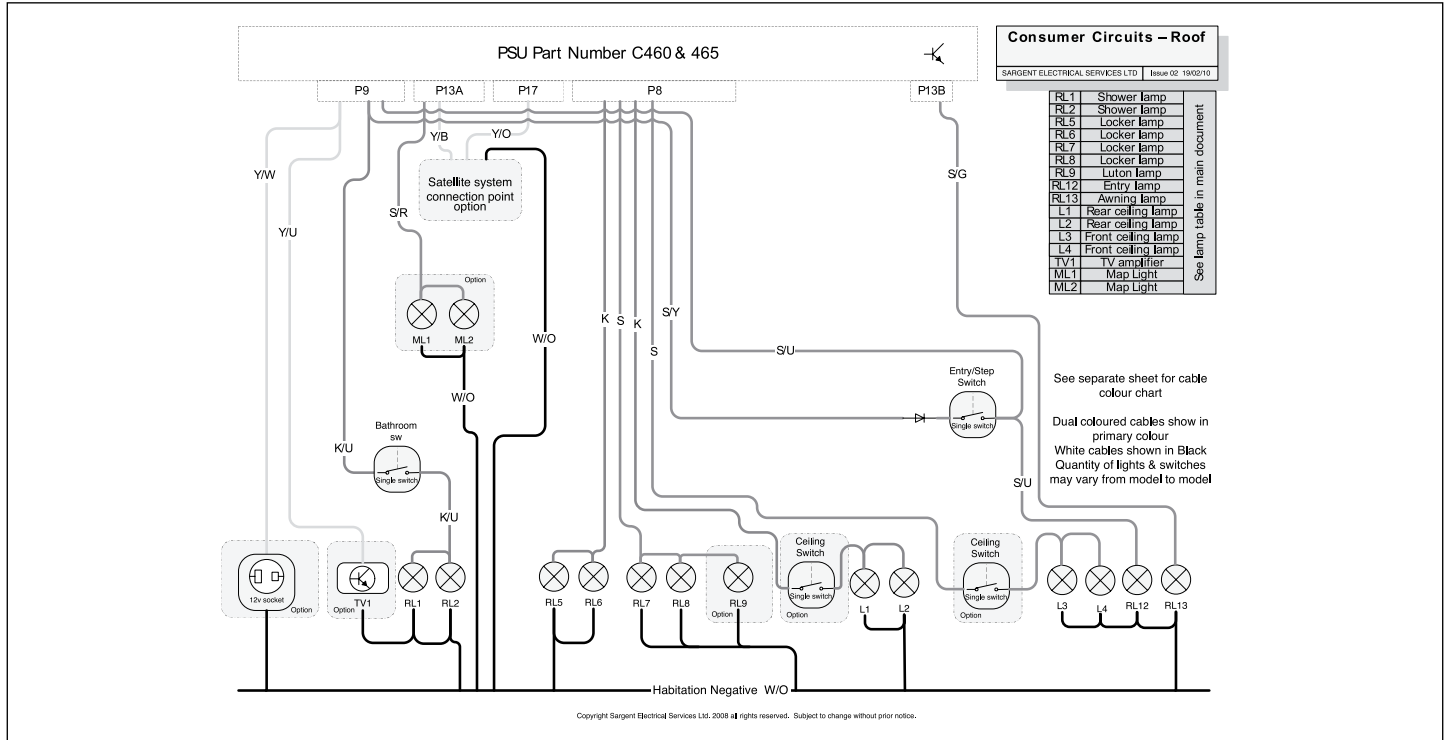
ROAD LIGHTING



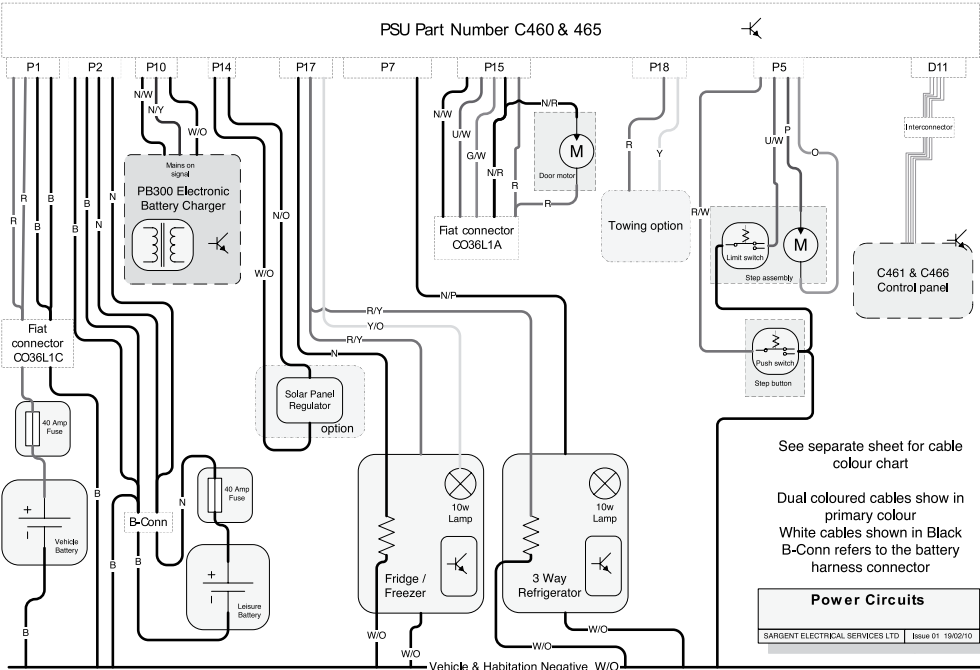
Copyright Sargent Electrical Services Ltd. 2008 all rights reserved. Subject to change without prior notice.

Wiring Diagrams

CONSUMER CIRCUITS – ROOF



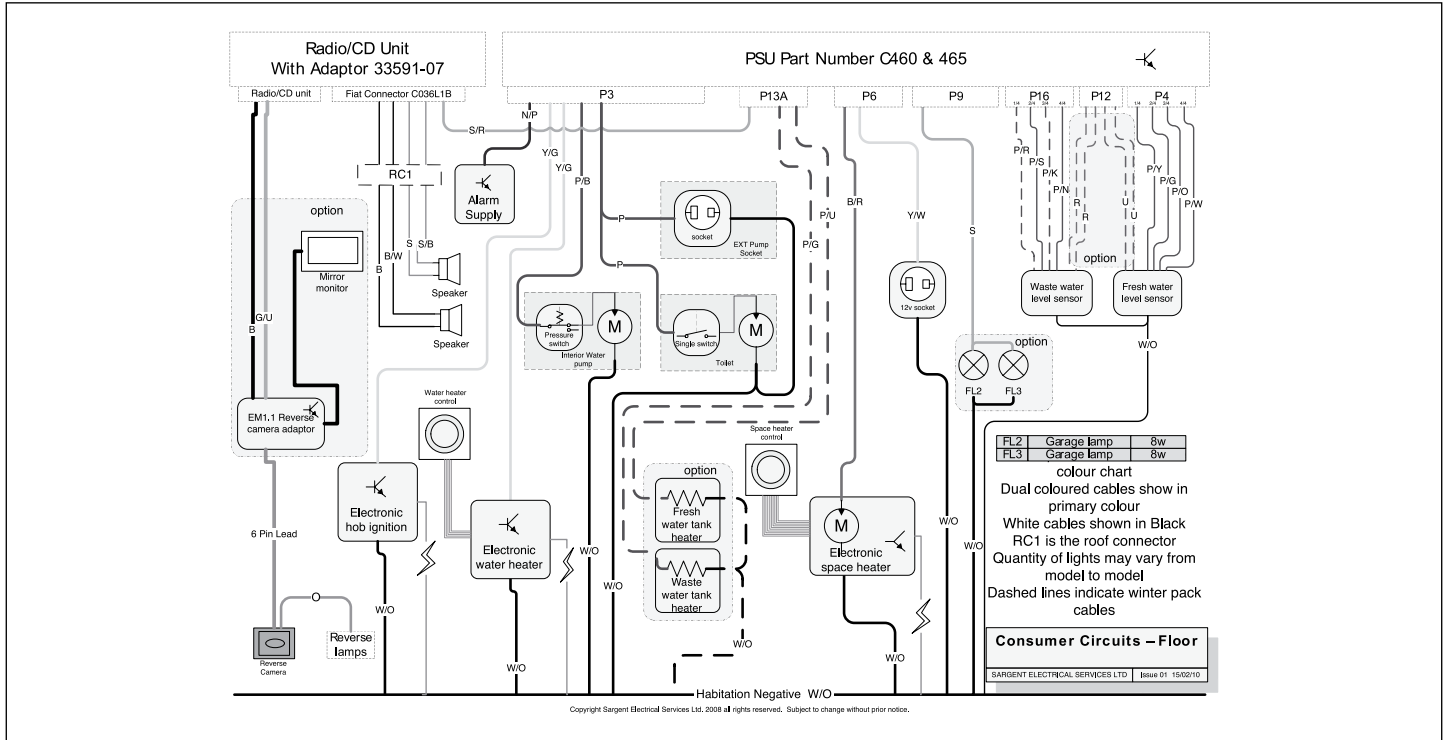
POWER CIRCUITS



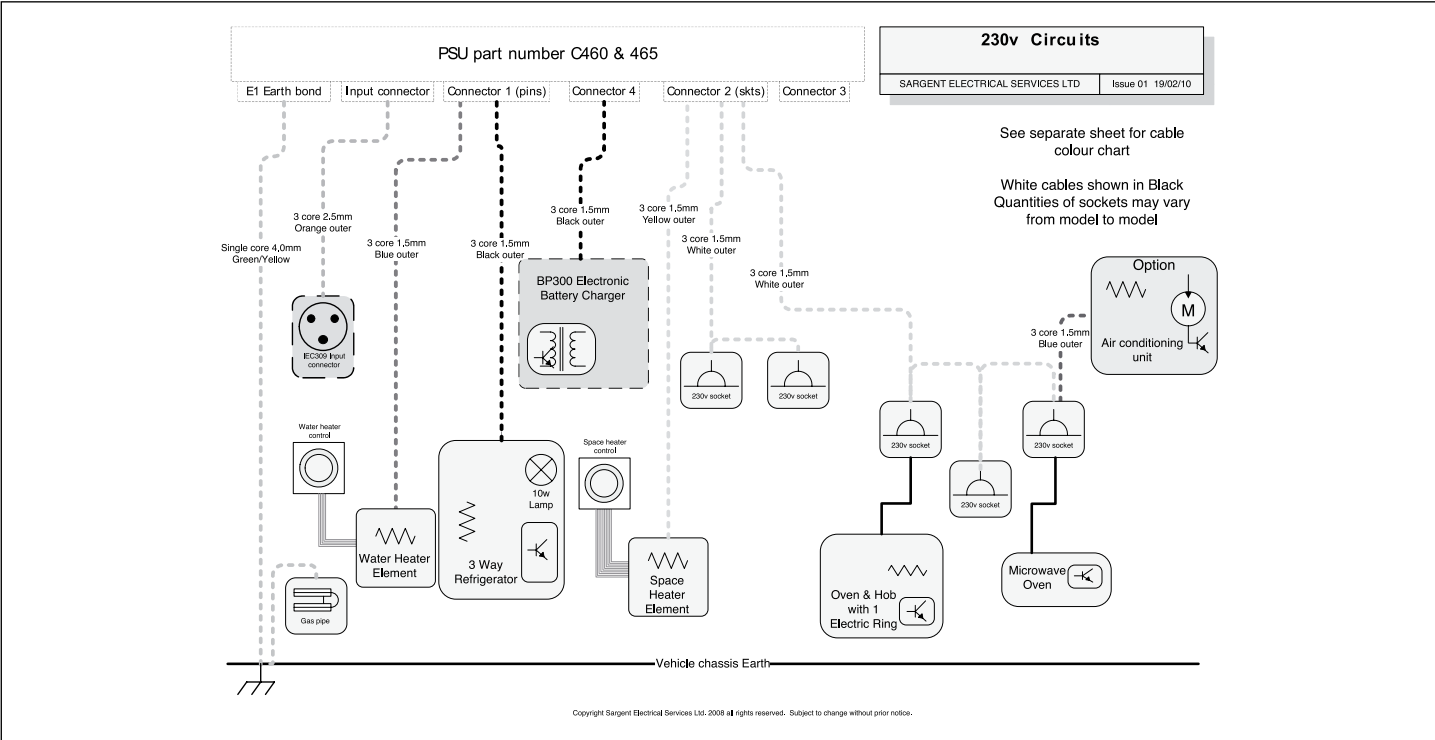
Copyright Sargent Electrical Services Ltd. 2008 all rights reserved. Subject to change without prior notice.

Wiring Diagrams

CONSUMER CIRCUITS FLOOR



230V CIRCUITS



CABLE COLOUR CHART

Example



Y/U Yellow cable with Blue stripe

Cable Colour Chart

SARGENT ELECTRICAL SERVICES LTD	Issue 01 01/09/08
---------------------------------	-------------------

12v Cable Colours

B	BLACK
N	BROWN
R	RED
O	ORANGE
Y	YELLOW
G	GREEN
U	BLUE
P	PURPLE
S	SLATE GREY
W	WHITE
K	PINK

230v Cable Colours

B	BLACK
N	BROWN
W	WHITE
O	ORANGE
Y	YELLOW
G	GREEN
U	BLUE

Bulb Replacement

Road Lights		
Application	Bulb Reference	Bulb Rating
Front marker light	W5W	12V 5W
Side marker light	W5W	12V 5W
Rear high level marker light	LED	12V <1W
High level stop lamp	T5/13.5	12V 2.3W
Rear indicator lamp	P21	12V 21W
Rear Stop / Tail lamp	P21/5W	12V 21w / 5W
Rear reverse lamp	P21	12V 21W
Rear fog lamp	P21	12V 21W
Number plate light	C5W	12V 5W
Interior / Other		
Application		Bulb Rating
Downlighters, LED, Silver	FEM0659 complete lamp	12V LED
Downlighters, LED, Nickel	FEM0660 complete lamp	12V LED
Locker spotlights, LED	FEM0658 complete lamp	12V LED
China locker light	FEM0661 complete lamp	12V LED
Luton lamp	300mm fluorescent bulb	12V 8W
Ceiling lights, round, single bulb	Halogen capsule	12V G4 10W
Ceiling lights, round, twin bulb	FEM0467 complete lamp	12V LED
B-pillar map reading lamps	GU4/MR11 dichroic bulb	GU4 12V 10W
Awning lamp, LED	500mm LED complete unit	12V 2.2W LED

Note: Not all lights feature on all models within a range

Replacement instructions

SUNDANCE / E400 SERIES / STAR RANGE ROAD LIGHTING, COACH-BUILT BODY MOUNTED LAMPS

STOP / TAIL, INDICATOR, FOG AND REVERSE LAMPS

Bulb access is from front / via lense of each lamp.

Remove 2x screws from each light lense and withdraw lense.

Bulbs are a bayonet fitting – apply slight pressure on bulb towards light fitting, and twist to release.

Reverse procedure to re-fit bulb and lense.

Take care when replacing stop/tail lamp bulb, that orientation of bulb is correct – to check, brake light operation should be brighter than tail lamp operation.

REAR UPPER MARKER / POSITION LAMPS

These lamps are LED and have no user serviceable parts inside.

Replacements should be undertaken by your dealer, as the lamps are sealed onto the mounting panel.

HIGH LEVEL BRAKE LAMP

Light is one piece design with no internally replaceable parts.

Remove 2x screws at either end of lamp, and withdraw whole fitting away from motorhome body.

Harness connects via a connector with retention barb into the rear of the lamp. With finger pressure or using a small screwdriver release the barb by pushing it toward the harness, and unplug the harness from the lamp.

Push fit connector back into replacement lamp, and secure lamp to motorhome body with 2x screws.

Lamp retaining screws are fixed into a rubber sleeve with a threaded insert, often known as a rawlnut. If lamp has been removed / re-fitted several times the rubber sleeve may need replacing, these are available through your dealer.

FRONT UPPER MARKER / POSITION LAMPS

Bulb access is from rear of lamp.

Remove 2x screws from light fitting, and withdraw whole fitting from motorhome body.

Harness plugs into bulb holder – Twist bulb holder relative to lamp body to release bulb holder from lamp body.

Bulbs are push fit into bulb holder – pull bulb directly away from holder to release.

Reverse procedure to replace bulb in holder, holder in lamp and lamp onto motorhome body.

SIDE MARKER / POSITION LAMPS

Bulb access is from rear of lamp.

Check first within motorhome if rear of lamp is visible.

If rear of lamp is visible:

Harness plugs into bulb holder – Twist bulb holder relative to lamp body to release bulb holder from lamp body.

Bulbs are push fit into bulb holder – pull bulb directly away from holder to release.

Reverse procedure to replace bulb in holder, holder in lamp and lamp onto motorhome body.

If rear of lamp is not visible:

Remove 2x screws from light fitting, and withdraw whole fitting from motorhome body.

Harness plugs into bulb holder – Twist bulb holder relative to lamp body to release bulb holder from lamp body.

Bulbs are push fit into bulb holder – pull bulb directly away from holder to release.

Reverse procedure to replace bulb in holder, holder in lamp and lamp onto motorhome body.



